



Chipsmall Limited consists of a professional team with an average of over 10 year of expertise in the distribution of electronic components. Based in Hongkong, we have already established firm and mutual-benefit business relationships with customers from,Europe,America and south Asia,supplying obsolete and hard-to-find components to meet their specific needs.

With the principle of “Quality Parts,Customers Priority,Honest Operation,and Considerate Service”,our business mainly focus on the distribution of electronic components. Line cards we deal with include Microchip,ALPS,ROHM,Xilinx,Pulse,ON,Everlight and Freescale. Main products comprise IC,Modules,Potentiometer,IC Socket,Relay,Connector.Our parts cover such applications as commercial,industrial, and automotives areas.

We are looking forward to setting up business relationship with you and hope to provide you with the best service and solution. Let us make a better world for our industry!



Contact us

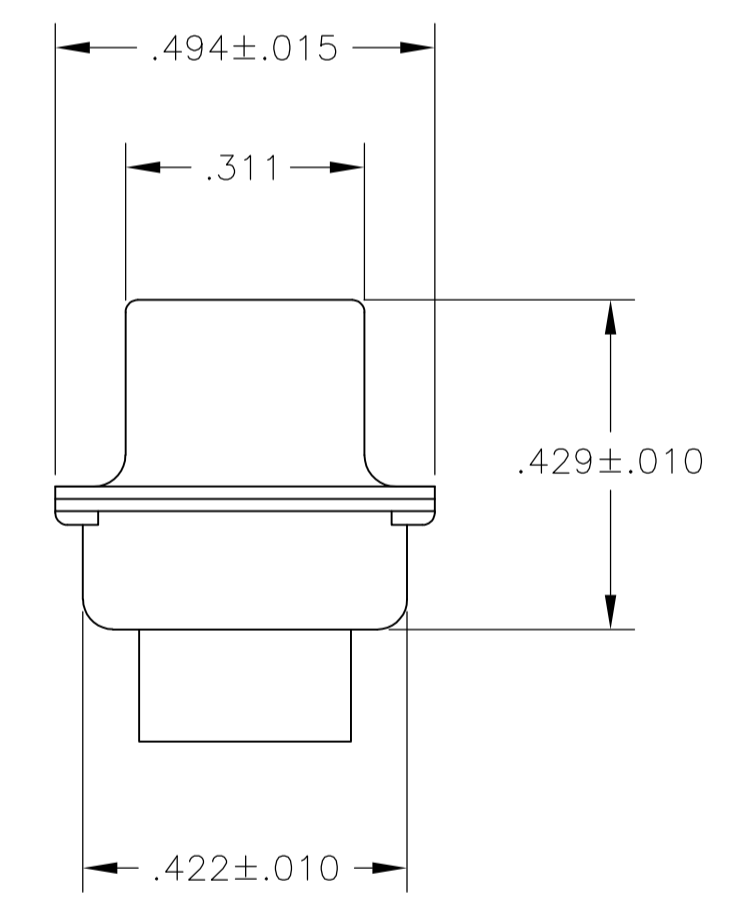
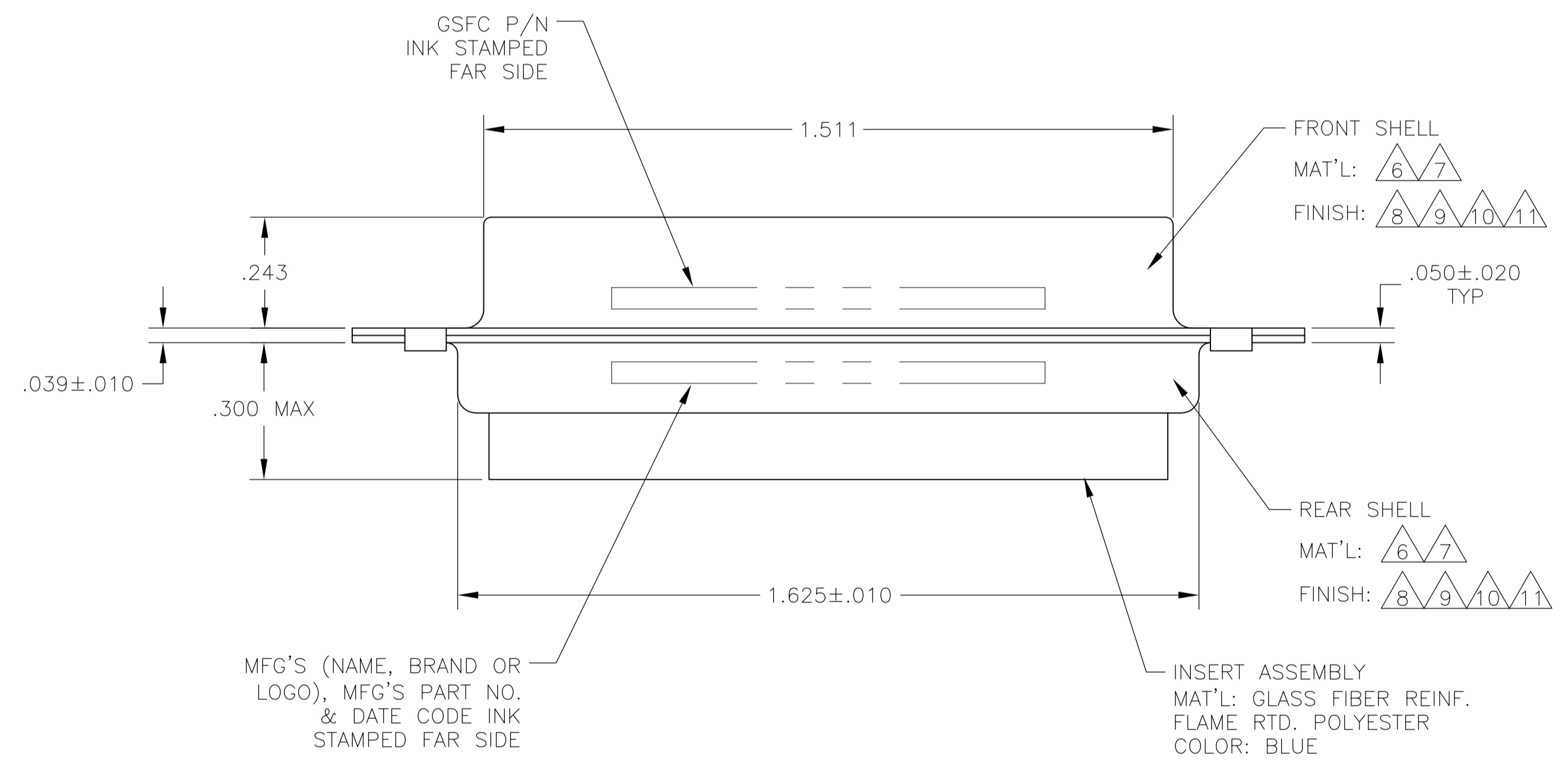
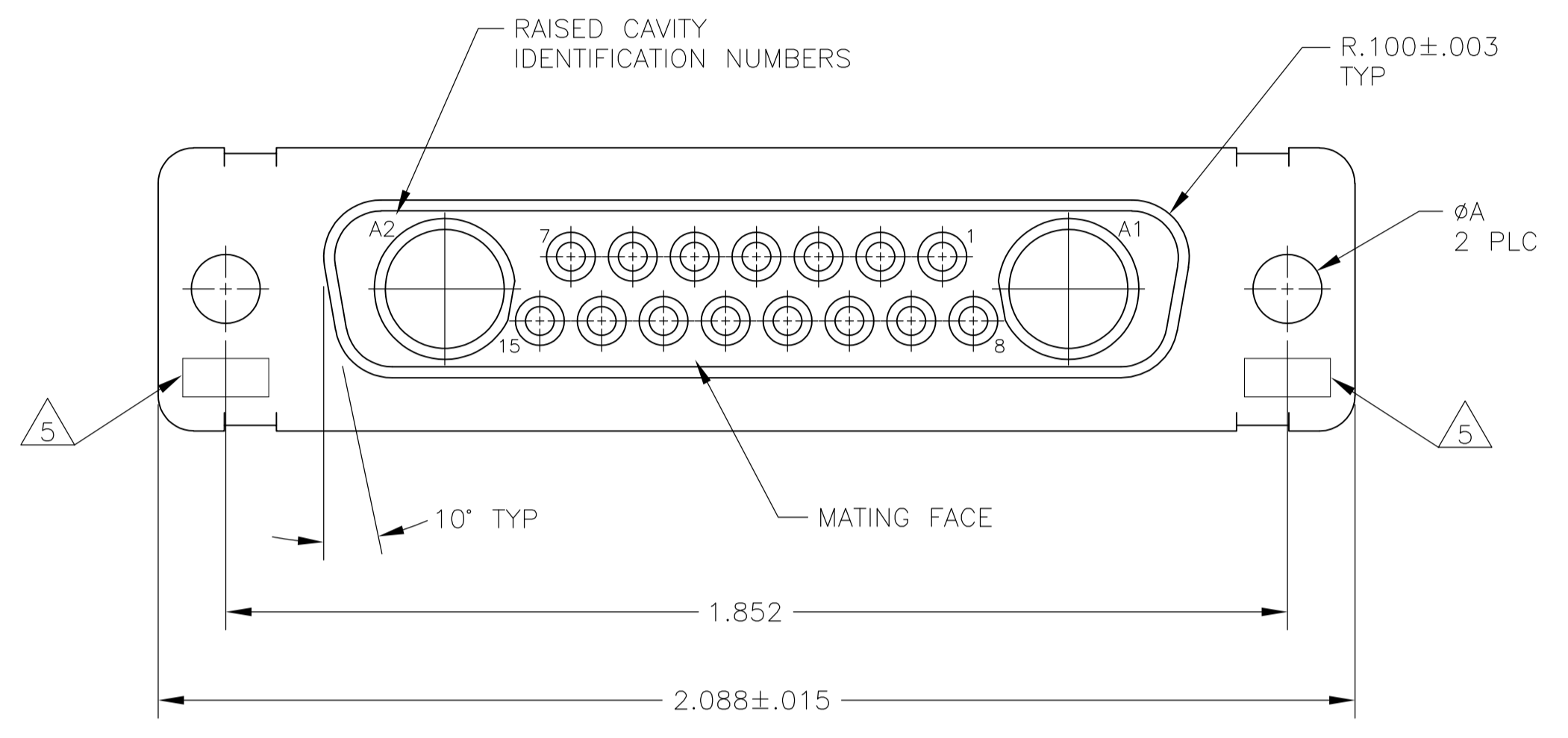
Tel: +86-755-8981 8866 Fax: +86-755-8427 6832

Email & Skype: info@chipsmall.com Web: www.chipsmall.com

Address: A1208, Overseas Decoration Building, #122 Zhenhua RD., Futian, Shenzhen, China



- THIS RECEPTACLE WILL MATE WITH ANY 17C2, SIZE 3 PLUG IN AMPLIMITE SERIES.
 - MAXIMUM WIRE INSULATION TO BE USED WITH THIS RECEPTACLE IS $\phi.068$.
 - THIS CONNECTOR ACCEPTS (2) POWER 8, OR COAX SOCKET CONTACTS IN POSITIONS A1 THRU A2, PURCHASED SEPARATELY.
 - THIS CONNECTOR ACCEPTS SIZE 20 SOCKET SIGNAL CONTACTS IN POSITIONS 1 THRU 15, PURCHASED SEPARATELY.
- $\triangle 5$ UL/CSA DESIGNATION STAMPED IN THIS AREA, OPTIONAL.
 $\triangle 6$ STEEL PER ASTM-A-109.
 $\triangle 7$ BRASS PER MIL-C-50 AND ASTM-B-36 UNS NO. C26000.
 $\triangle 8$ FINISH: CADMIUM PLATED PER QQ-P-416.
 $\triangle 9$ GOLD PLATED PER MIL-G-45204 TYPE II, GRADE C, CLASS 1 OVER COPPER PER MIL-C-14550, CLASS IV.
 $\triangle 10$ FINISH: TIN PER ASTM-B-545 .000400 MIN THK OVER COPPER PER AMS2418 .000050 MIN THK.
 $\triangle 11$ FINISH: ZINC PLATE PER ASTM-B-633 .000200-.000400 THK WITH SUPPLEMENTARY CHROMATE (Cr3+).



PRELIMINARY NOT RELEASED FOR PRODUCTION

$\triangle 6 \triangle 11$.120	-	5-212510-1
$\triangle 6 \triangle 10$.120	-	5-212510-4
$\triangle 6 \triangle 10$.120	-	212510-5
$\triangle 6 \triangle 10$.120	-	212510-4
$\triangle 7 \triangle 9$.154	311P405-13S-B-15	212510-3
$\triangle 7 \triangle 9$.120	311P405-13S-B-12	212510-2
$\triangle 6 \triangle 8$.120	-	212510-1
REMARKS	ϕA	GSFC P/N	PART NO.

THIS DRAWING IS A CONTROLLED DOCUMENT.

DIMENSIONS: INCHES
 TOLERANCES UNLESS OTHERWISE SPECIFIED:
 0 PLC ± -
 1 PLC ± -
 2 PLC ± -
 3 PLC ± .005(0.13)
 4 PLC ± -
 ANGLES ± $\sigma 30'$

MATERIAL: -
 FINISH: -

THIS DRAWING IS A CONTROLLED DOCUMENT.
 C.C. THOMAS 26JAN88
 CJK 02FEB88
 A. EMADI
 A. EMADI 02FEB88
 NAME: RECEPTACLE ASSEMBLY
 PRODUCT SPEC: AMPLIMITE 17C2
 APPLICATION SPEC: SIZE 3, SERIES 109, COAX MIX
 SIZE: A1
 CAGE CODE: 00779
 DRAWING NO: 212510
 WEIGHT: -
 CUSTOMER DRAWING
 SCALE: 4:1
 SHEET: 1 OF 1
 REV: M

STE TE Connectivity