



Chipsmall Limited consists of a professional team with an average of over 10 year of expertise in the distribution of electronic components. Based in Hongkong, we have already established firm and mutual-benefit business relationships with customers from,Europe,America and south Asia,supplying obsolete and hard-to-find components to meet their specific needs.

With the principle of “Quality Parts,Customers Priority,Honest Operation,and Considerate Service”,our business mainly focus on the distribution of electronic components. Line cards we deal with include Microchip,ALPS,ROHM,Xilinx,Pulse,ON,Everlight and Freescale. Main products comprise IC,Modules,Potentiometer,IC Socket,Relay,Connector.Our parts cover such applications as commercial,industrial, and automotives areas.

We are looking forward to setting up business relationship with you and hope to provide you with the best service and solution. Let us make a better world for our industry!



## Contact us

Tel: +86-755-8981 8866 Fax: +86-755-8427 6832

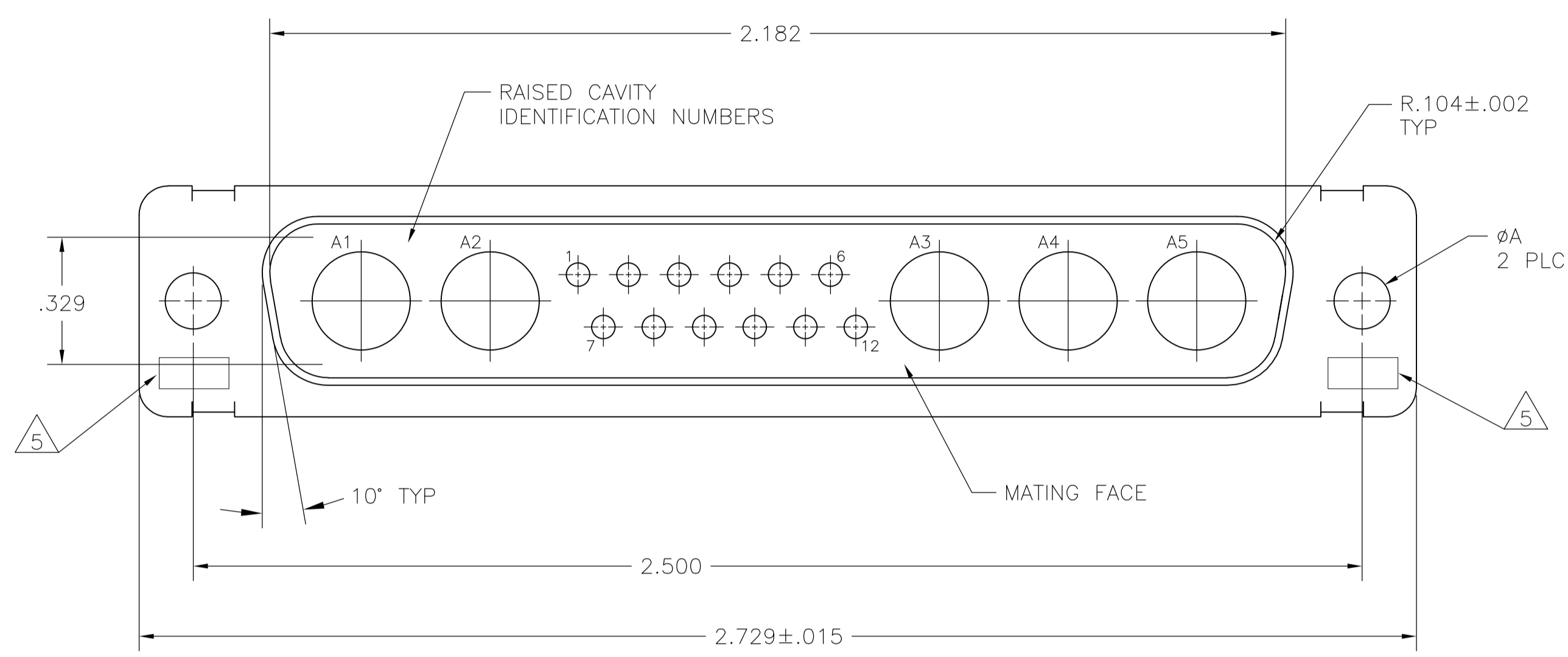
Email & Skype: info@chipsmall.com Web: www.chipsmall.com

Address: A1208, Overseas Decoration Building, #122 Zhenhua RD., Futian, Shenzhen, China

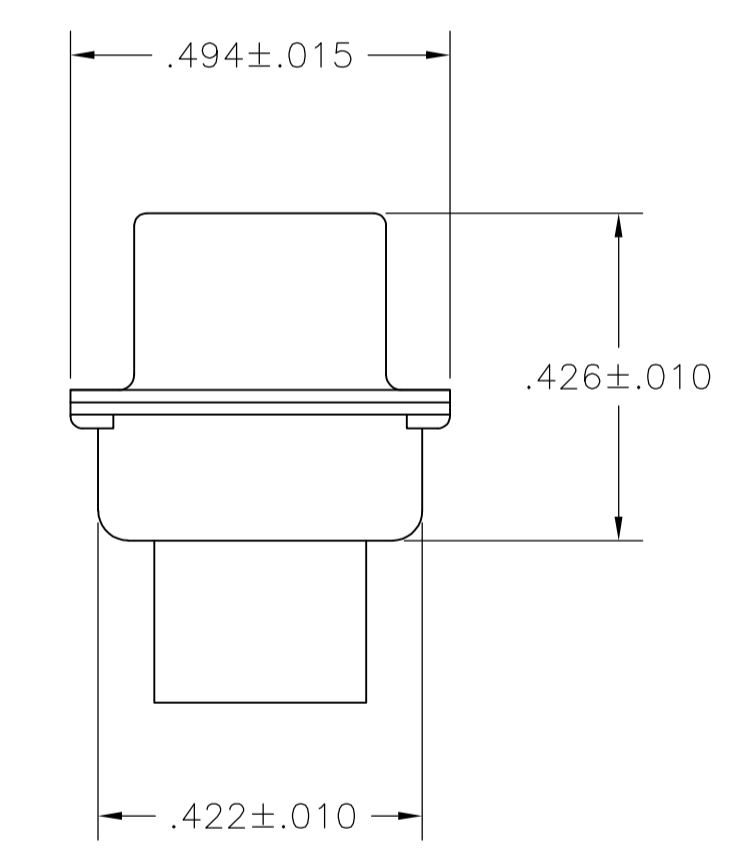
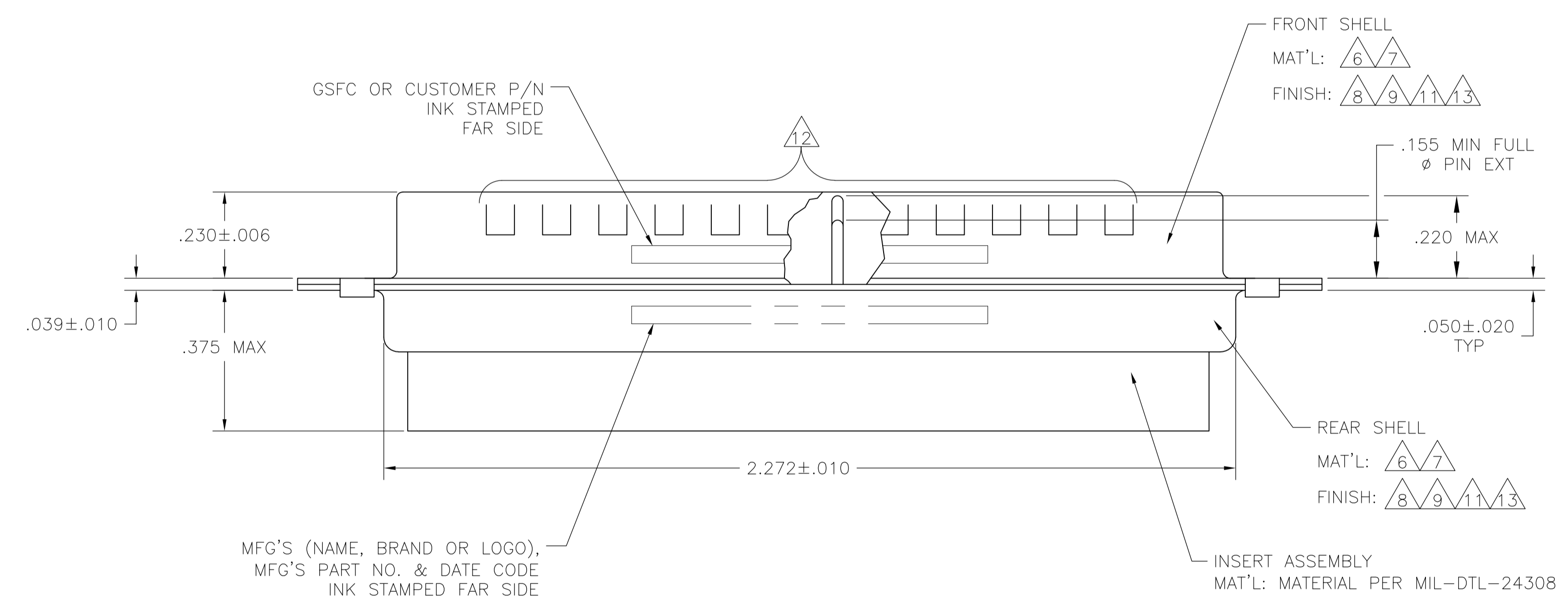


LOC		DIST		REVISIONS			
P	LTR	DESCRIPTION	DATE	DWN	APVD		
P		REVISED PER ECO-15-016251	13NOV15	KG	CD		

- THIS PLUG WILL MATE WITH ANY 17C5, SIZE 4 RECEPTACLE IN AMPLIMITE SERIES.
- MAXIMUM WIRE INSULATION TO BE USED WITH THIS PLUG IS  $\phi$ .068.
- THIS CONNECTOR ACCEPTS (5) POWER 8, OR COAX PIN CONTACTS IN POSITIONS A1 THRU A5, PURCHASED SEPARATELY.
- THIS CONNECTOR ACCEPTS SIZE 20 PIN SIGNAL CONTACTS IN POSITIONS 1 THRU 12, PURCHASED SEPARATELY.



- UL/CSA DESIGNATION STAMPED IN THIS AREA, OPTIONAL.
- STEEL PER ASTM-A-109.
- BRASS PER MIL-C-50 AND ASTM-B-36 UNS NO. C26000.
- CADMIUM PLATED PER QQ-P-416.
- FINISH: GOLD PLATED PER MIL-G-45204 TYPE II, GRADE C, CLASS 1 OVER COPPER PER MIL-C-14550, CLASS IV.
- WESTINGHOUSE PART NO. 97942-645A935H07, INK STAMPED, FAR SIDE.
- FINISH: TIN PER ASTM-B-545, .000400 MIN THK OVER COPPER PER AMS2418 .000050 MIN THK.
- GROUNDING INDENTS FOR 212514-5 & 5-212514-5 ONLY.
- FINISH: ZINC PLATE PER ASTM-B-633 .000200-.000400 THK WITH SUPPLEMENTARY CHROMATE (Cr3+).



6 12 11	.120	-	5-212514-5
6 13	.120	-	5-212514-1
6 11 12	.120	-	212514-5
7 9	.154	311P405-17S-B-15	212514-4
7 9	.120	311P405-17S-B-12	212514-3
6 8 10	.120	-	212514-2
6 8	.120	-	212514-1
REMARKS	ØA	GSFC P/N	PART NO.

THIS DRAWING IS A CONTROLLED DOCUMENT.

APPROVED: MANJUNATH G.M. 27-May-15  
 CHARLES THOMAS 27-May-15  
 CHARLES THOMAS 27-May-15

NAME: PLUG ASSEMBLY AMPLIMITE 17C5 SIZE 4, SERIES 109, COAX MIX

SIZE: A1 CAGE CODE: 00779 DRAWING NO: 212514

WEIGHT: -

CUSTOMER DRAWING SCALE: 4:1 SHEET: 1 of 1 REV: P