



Chipsmall Limited consists of a professional team with an average of over 10 year of expertise in the distribution of electronic components. Based in Hongkong, we have already established firm and mutual-benefit business relationships with customers from,Europe,America and south Asia,supplying obsolete and hard-to-find components to meet their specific needs.

With the principle of “Quality Parts,Customers Priority,Honest Operation,and Considerate Service”,our business mainly focus on the distribution of electronic components. Line cards we deal with include Microchip,ALPS,ROHM,Xilinx,Pulse,ON,Everlight and Freescale. Main products comprise IC,Modules,Potentiometer,IC Socket,Relay,Connector.Our parts cover such applications as commercial,industrial, and automotives areas.

We are looking forward to setting up business relationship with you and hope to provide you with the best service and solution. Let us make a better world for our industry!



Contact us

Tel: +86-755-8981 8866 Fax: +86-755-8427 6832

Email & Skype: info@chipsmall.com Web: www.chipsmall.com

Address: A1208, Overseas Decoration Building, #122 Zhenhua RD., Futian, Shenzhen, China



DRAWING MADE IN THIRD ANGLE PROJECTION

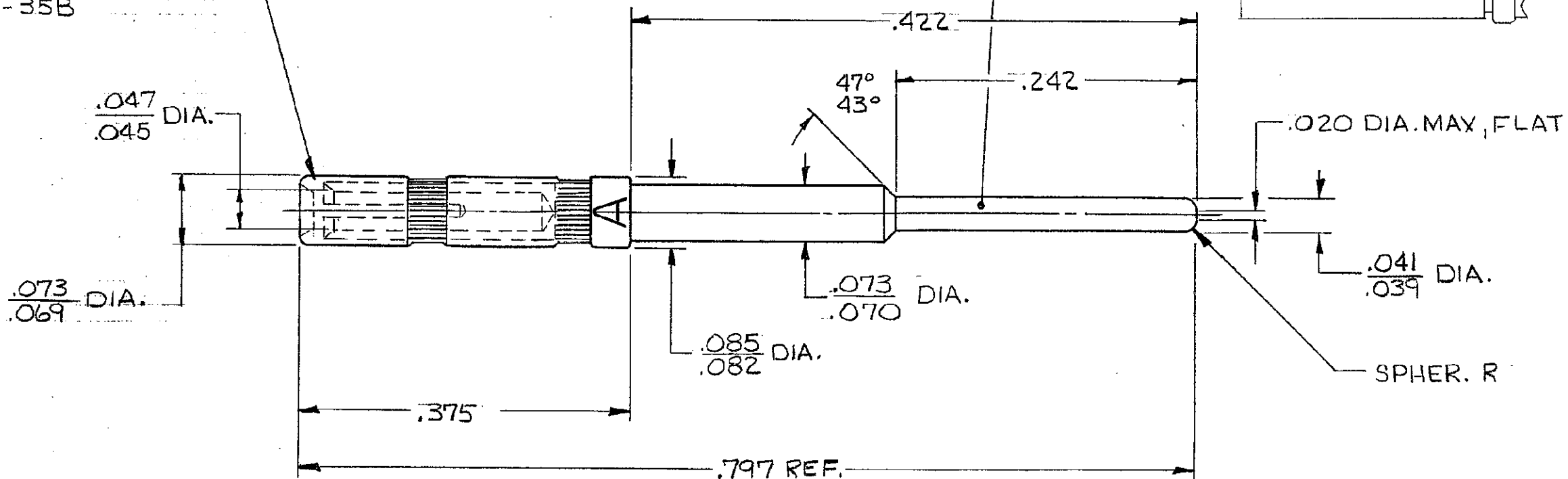
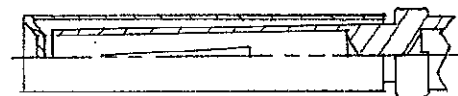
THIS DRAWING IS UNPUBLISHED. RELEASED FOR PUBLICATION, 19
 © COPYRIGHT 19 BY AMP INCORPORATED, HARRISBURG, PA. ALL INTERNATIONAL RIGHTS RESERVED. AMP PRODUCTS MAY BE COVERED BY U.S. AND FOREIGN PATENTS AND/OR PATENTS PENDING.

		REVISIONS				
P	F	ZONE	LTR	DESCRIPTION	DATE	APPROVED
✓	✓		O	RELEASED	3/24/84	RG <i>[Signature]</i>
✓	✓		A	ADDED -Z PER ECN R-647	4/19/84	RG <i>[Signature]</i>
✓	✓		B	REV PER DF-5815	10/5/82	DKP <i>[Signature]</i>
			C	REV PER 0600-7585-98	10-22-83	TT <i>[Signature]</i>

BODY
 MATERIAL: BERYLLIUM COPPER
 PER QQ-C-530
 FINISH: PLATED GOLD .000050
 MIN. THK. PER MIL-G-45204 OVER
 NICKEL .000050 MIN. THK
 PER QQ-N-290

HOOD
 MATERIAL: STAINLESS
 STEEL PER QQ-S-766
 FINISH: PASSIVATED
 QQ-P-35B

ALTERNATE CONFIGURATION



NOTES: FOR DASH 2 ONLY

- 1. MATERIAL: BERYLLIUM COPPER PER QQ-C-530
 FINISH: PLATED GOLD .000050 MIN. THK. PER MIL-G-45204
 OVER COPPER .000100 MIN. THK. PER MIL-C-14550.
- 2. HOOD: COPPER ALLOY PER QQ-B-613
 FINISH: PLATED GOLD

AS SHOWN	212558-2
AS SHOWN	212558-1
DESCRIPTION	PART NO

UNLESS OTHERWISE SPECIFIED DIMENSIONS ARE IN INCHES. TOLERANCES ON: DECIMALS ±.005 ANGLES ±	CONTRACT NO 3-26-84		AMP AMP INCORPORATED Harrisburg, Pa.	
	DR R. Grzybowski			
MATERIAL SEE CALLOUT	DATE 3-30-84		NAME CONTACT, SIZE 20, AMPLIMITE, CONNECTOR SAVER	
	APPR [Signature]		SIZE B	FSCM NO 00779
FINISH SEE CALLOUT	DSGN APPD [Signature]		SCALE N.T.S.	
	OTHER APPD		SHEET 1 of 1	