



Chipsmall Limited consists of a professional team with an average of over 10 year of expertise in the distribution of electronic components. Based in Hongkong, we have already established firm and mutual-benefit business relationships with customers from,Europe,America and south Asia,supplying obsolete and hard-to-find components to meet their specific needs.

With the principle of "Quality Parts,Customers Priority,Honest Operation,and Considerate Service",our business mainly focus on the distribution of electronic components. Line cards we deal with include Microchip,ALPS,ROHM,Xilinx,Pulse,ON,Everlight and Freescale. Main products comprise IC,Modules,Potentiometer,IC Socket,Relay,Connector.Our parts cover such applications as commercial,industrial, and automotives areas.

We are looking forward to setting up business relationship with you and hope to provide you with the best service and solution. Let us make a better world for our industry!



Contact us

Tel: +86-755-8981 8866 Fax: +86-755-8427 6832

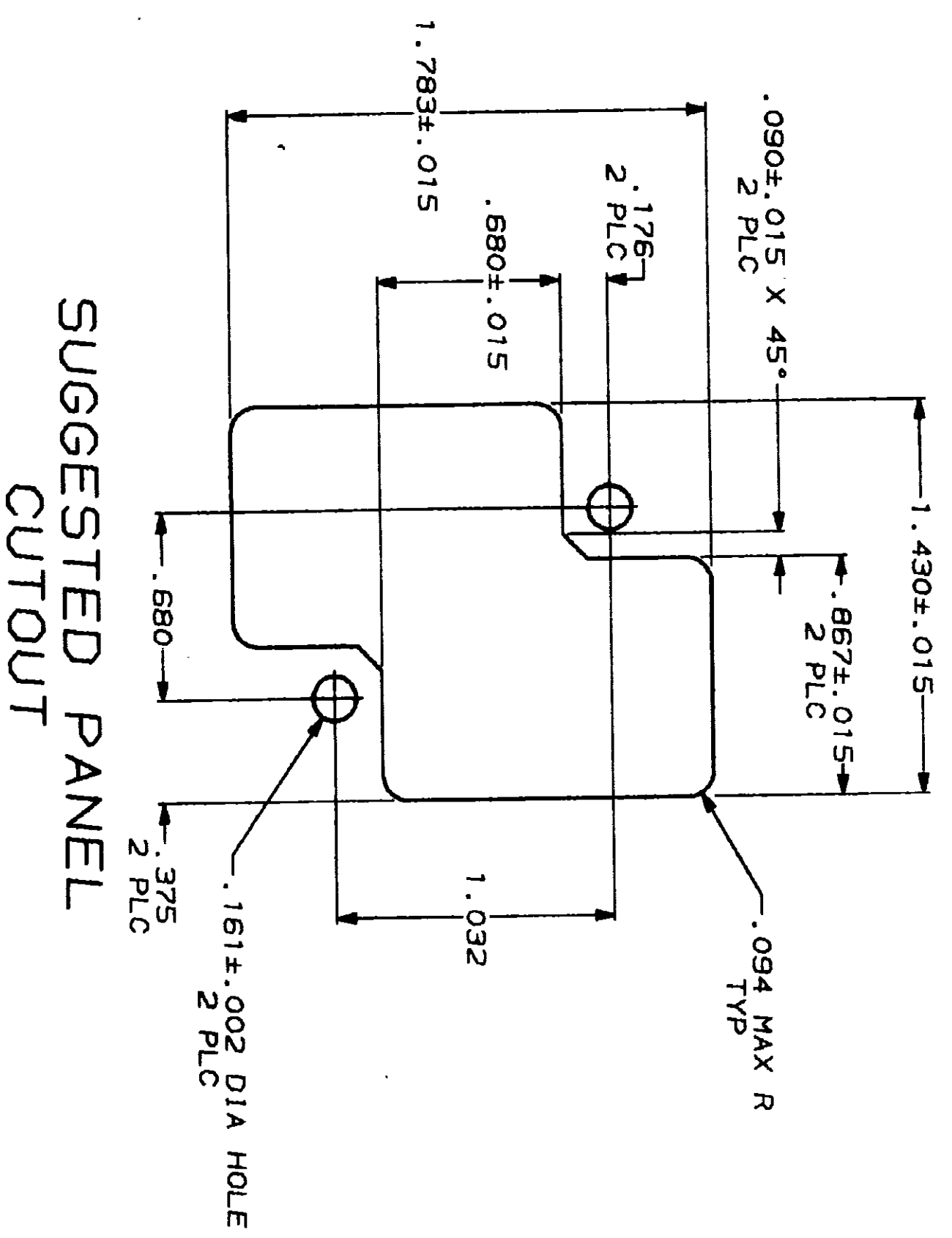
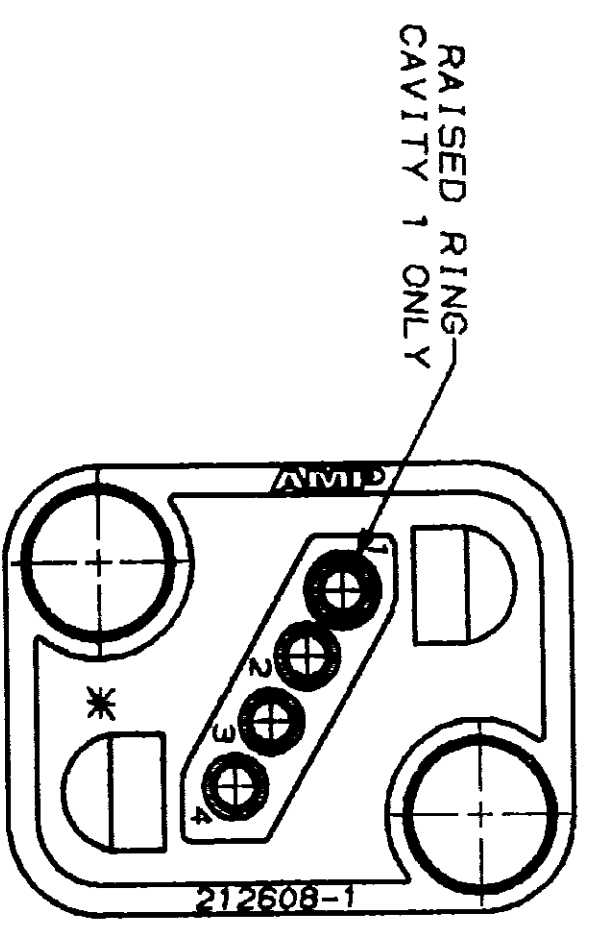
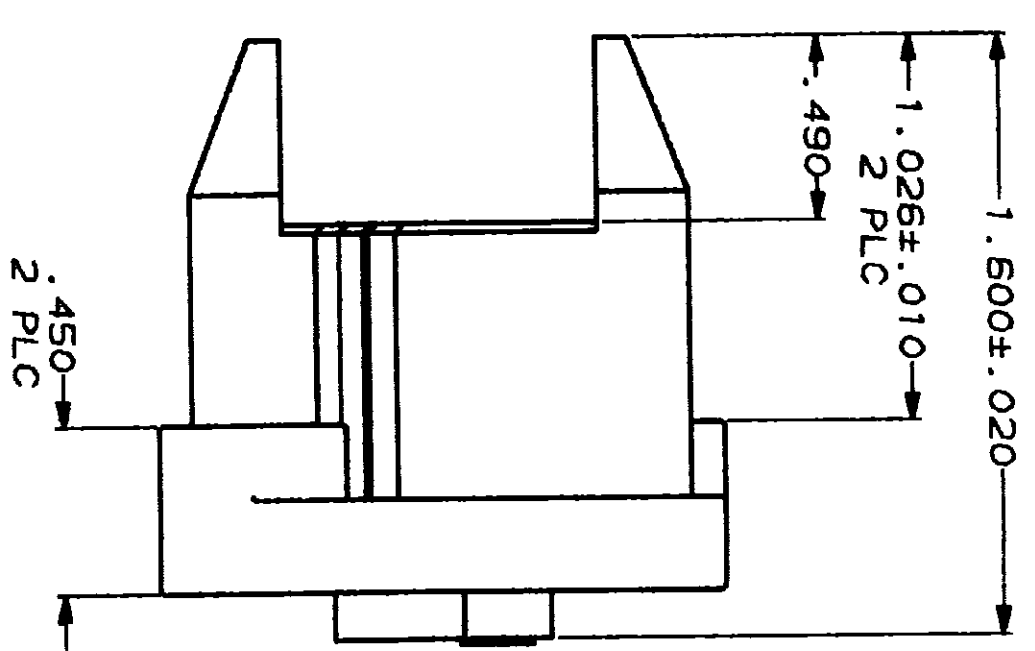
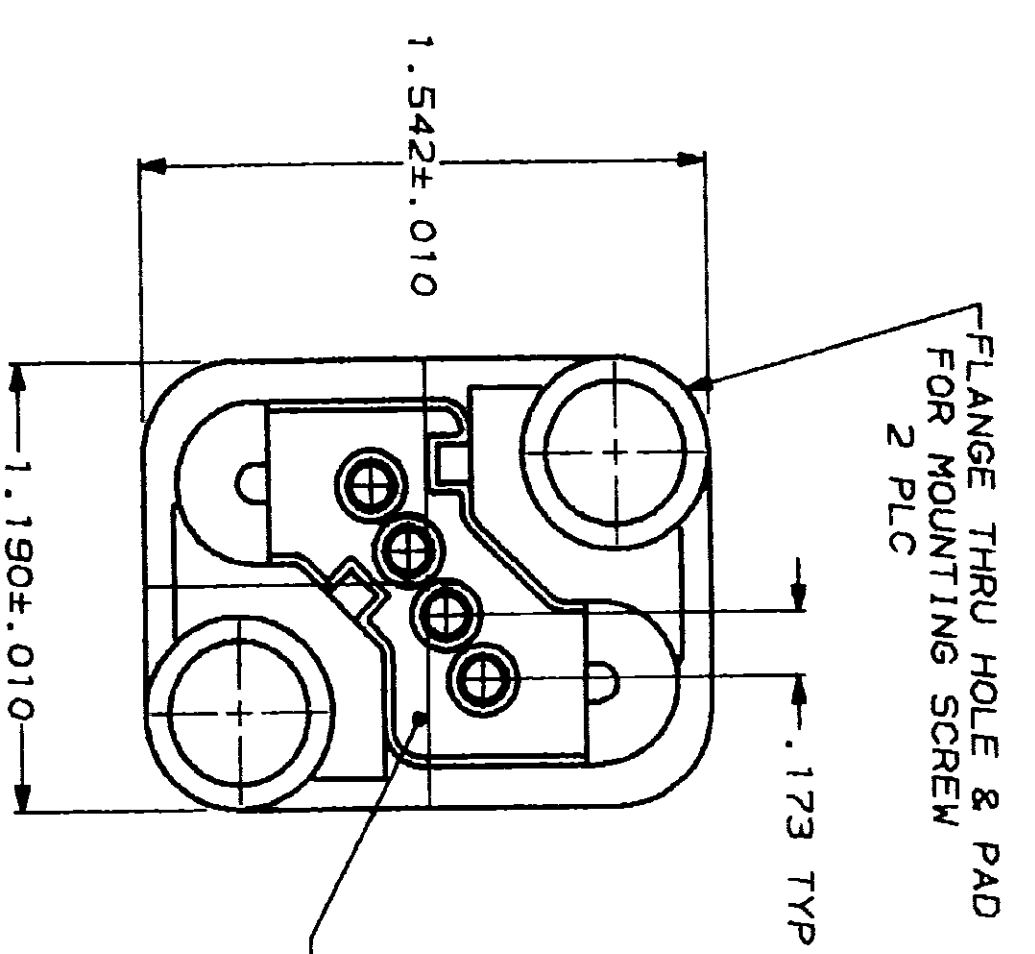
Email & Skype: info@chipsmall.com Web: www.chipsmall.com

Address: A1208, Overseas Decoration Building, #122 Zhenhua RD., Futian, Shenzhen, China



DRAWING MADE IN THIRD ANGLE PROJECTION
 THIS DRAWING IS UNPUBLISHED. RELEASED FOR PUBLICATION
 BY AMP INCORPORATED. ALL INTERNATIONAL RIGHTS RESERVED.
 © COPYRIGHT 1981 .19

REV	BY	DATE	DESCRIPTION
1	BD	39	REDRAWN AND REV ECN BD5024



1. THIS CONNECTOR MATES WITH PIN HOUSING NUMBER 212609.
2. FOR MOUNTING SCREW INFORMATION SEE DRAWING NUMBER 208211.

DO NOT SCALE PRINT. UNLESS SPECIFIED DIMENSIONS IN INCHES TOLERANCES ON: 1. DIMENSIONS IN INCHES 2. PLC DEC ± .005 3. PLC DEC ± .005 ANGLES MATERIAL THERMOPLASTIC BLACK FINISH		DR 05/07/91 R. SHINEY CHK - R. SHINEY 5-13-91 APPD A. TRAVIS 5/14/91 PRODUCT SPEC APPLICATION SPEC WEIGHT	NAME AMP AMP Incorporated Harrisburg, PA 17105-3608
PLUG HOUSING, DRAWER CONNECTOR, 4 POSITION, METRIMATE		SCALE 2:1 SHEET 1 OF 1	PART NO 212608-1

CUSTOMER DRAWING