



Chipsmall Limited consists of a professional team with an average of over 10 year of expertise in the distribution of electronic components. Based in Hongkong, we have already established firm and mutual-benefit business relationships with customers from,Europe,America and south Asia,supplying obsolete and hard-to-find components to meet their specific needs.

With the principle of “Quality Parts,Customers Priority,Honest Operation,and Considerate Service”,our business mainly focus on the distribution of electronic components. Line cards we deal with include Microchip,ALPS,ROHM,Xilinx,Pulse,ON,Everlight and Freescale. Main products comprise IC,Modules,Potentiometer,IC Socket,Relay,Connector.Our parts cover such applications as commercial,industrial, and automotives areas.

We are looking forward to setting up business relationship with you and hope to provide you with the best service and solution. Let us make a better world for our industry!



## Contact us

Tel: +86-755-8981 8866 Fax: +86-755-8427 6832

Email & Skype: info@chipsmall.com Web: www.chipsmall.com

Address: A1208, Overseas Decoration Building, #122 Zhenhua RD., Futian, Shenzhen, China



4

3

2

1

THIS DRAWING IS UNPUBLISHED. RELEASED FOR PUBLICATION  
 © COPYRIGHT - By - ALL RIGHTS RESERVED.

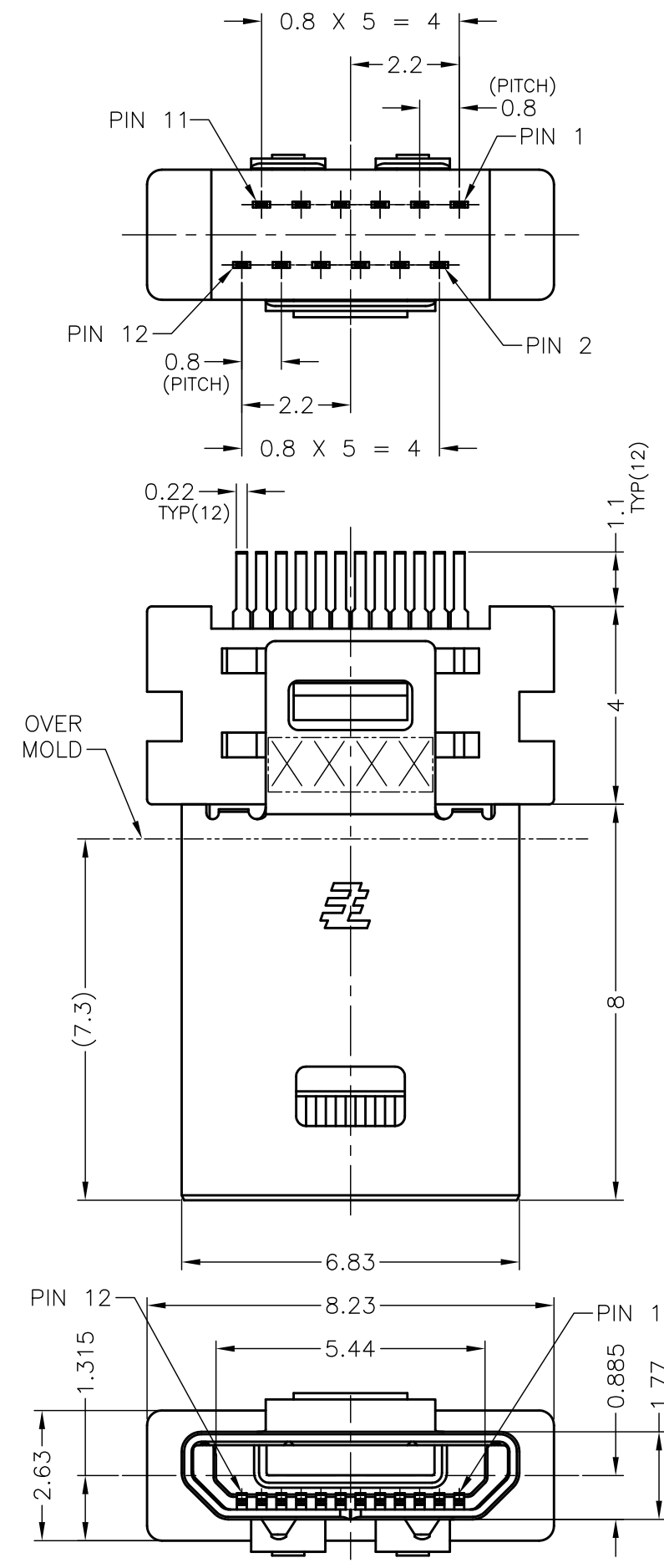
LOC	DIST	REVISIONS			
P	LTR	DESCRIPTION	DATE	DWN	APVD
		G1	REVISED (ECR-13-006596)	24APR2013	B.W H.K

2129033-1: AS SHOWN

- 1 MATERIAL:  
HOUSING: HIGH TEMPERATURE THERMOPLASTIC  
UL94 V-0, COLOR: BLACK.  
CONTACT: COPPER ALLOY.  
SHELL: STAINLESS STEEL.
- 2 FINISH:  
CONTACT: Ni UNDER PL Au PL.  
SHELL: Ni PL OVERALL.
- 3 SOLDER RING GAP SHOULD BE MIN. 0.2mm.

REFERENCE PIN DEFINITION

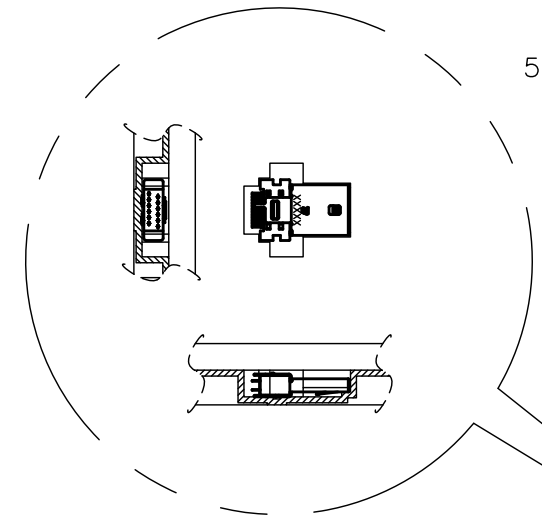
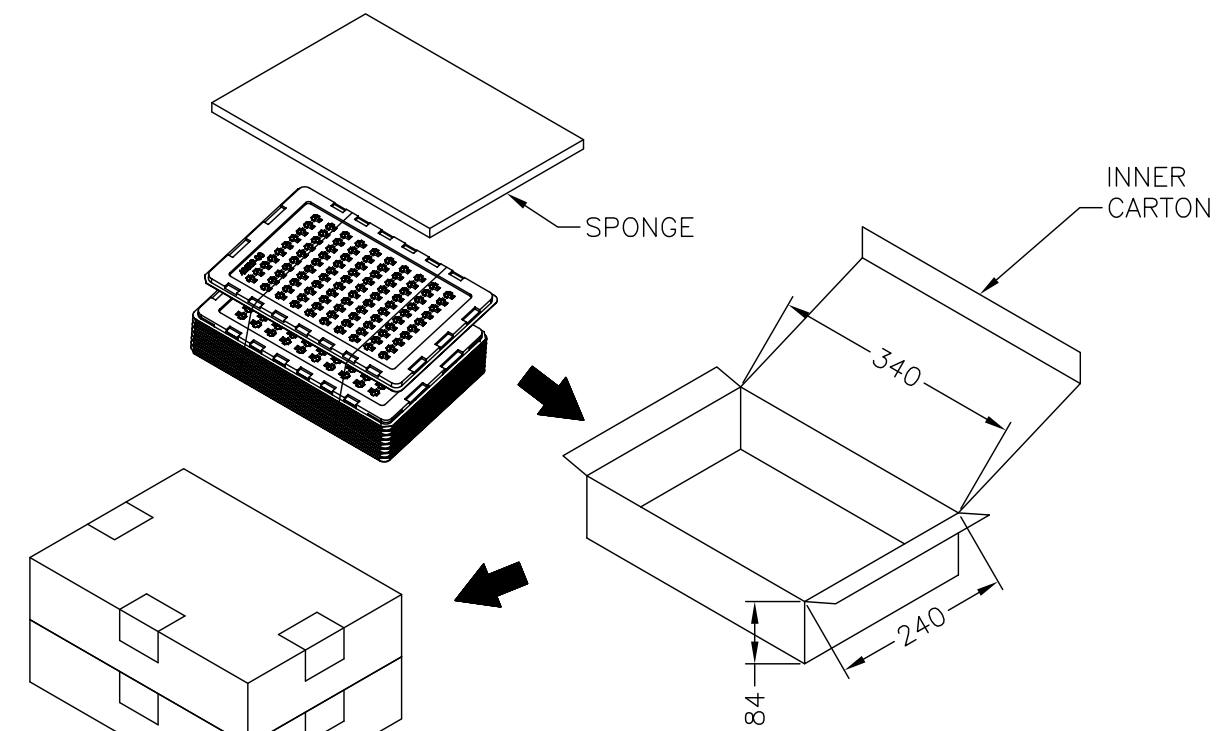
17	MICRO USB PIN 5	GND
16	MICRO USB PIN 4	ID
15	12P PIN 12	POWER GUN RETURN
14	12P PIN 11	POWER GUN RETURN
13	12P PIN 10	SIGNAL
12	12P PIN 9	SIGNAL
11	12P PIN 8	SIGNAL
10	12P PIN 7	SIGNAL
9	12P PIN 6	SIGNAL
8	12P PIN 5	SIGNAL
7	12P PIN 4	SIGNAL
6	12P PIN 3	SIGNAL
5	12P PIN 2	POWER
4	12P PIN 1	POWER
3	MICRO USB PIN 3	D+
2	MICRO USB PIN 2	D-
1	MICRO USB PIN 1	VBUS
PIN	CONTACT NO.	SIGNAL NAME



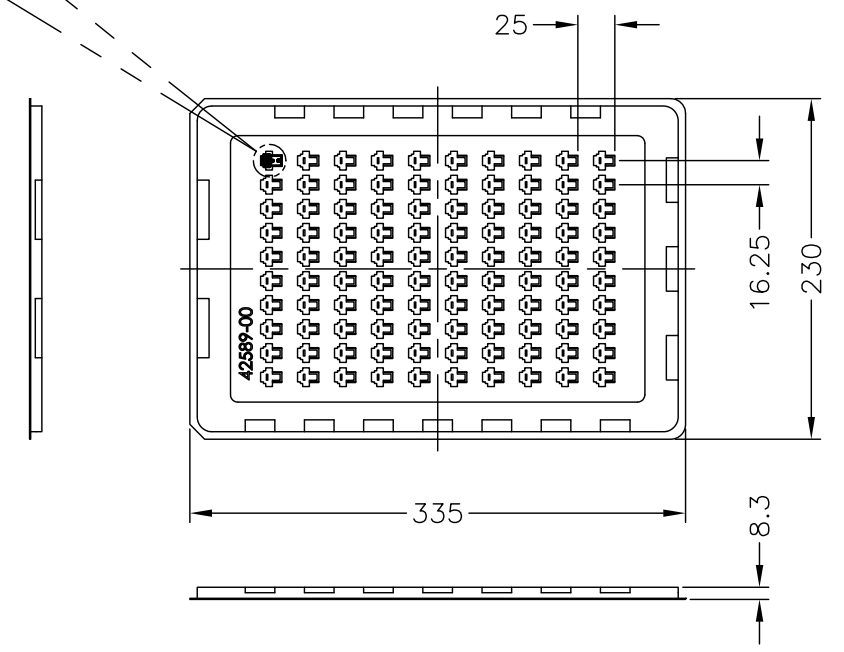
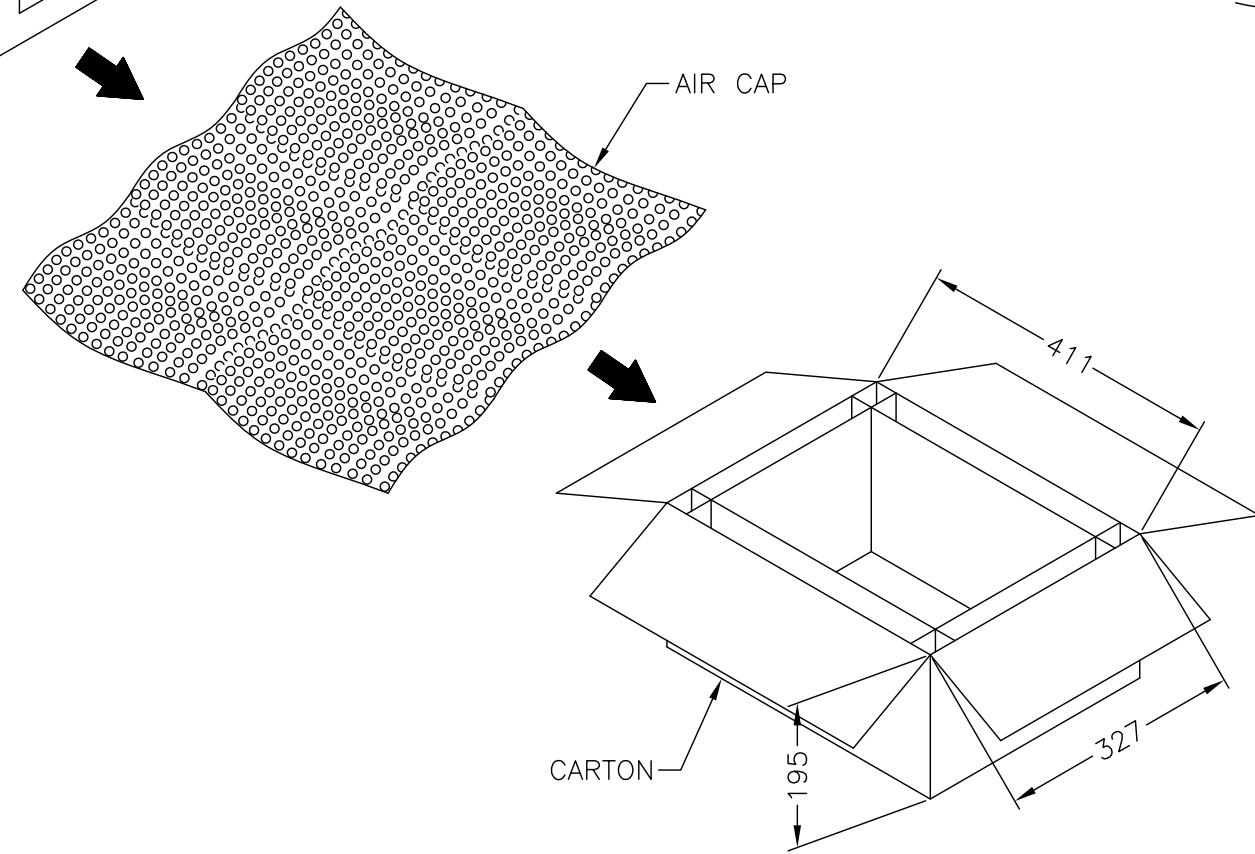
THIS DRAWING IS A CONTROLLED DOCUMENT.		DWN	N. TSAI	05FEB10	 TE Connectivity		
DIMENSIONS: mm		CHK	M. CHAO	05FEB10			
TOLERANCES UNLESS OTHERWISE SPECIFIED:		APVD	H. KODAMA	05FEB10			
8 PLC ± 1 PLC ± ±0.2 2 PLC ± ±3° 3 PLC ± ± 4 PLC ± ± ANGLES ± ±		NAME		MICRO HYBRID I/O 5+12 THROUGH HOLE, PLUG ASSY			
MATERIAL	FINISH	PRODUCT SPEC	SIZE		CAGE CODE	DRAWING NO	RESTRICTED TO
1	2	APPLICATION SPEC	A3		00779	2129033	
CUSTOMER DRAWING		WEIGHT	SCALE		8:1	SHEET	1 OF 2
			REV		G1		

THIS DRAWING IS UNPUBLISHED. RELEASED FOR PUBLICATION  
 © COPYRIGHT - By - ALL RIGHTS RESERVED.

LOC	DIST	REVISIONS			
P	LTR	DESCRIPTION	DATE	DWN	APVD
-	-	SEE SHEET 1	-	-	-



- 4. PACKING MATERIAL:  
 TRAY: PS, THICKNESS=0.8±0.05mm,  
 COLOR: NATURAL.
- 5. NET WEIGHT: 1.856Kg,  
 GROSS WEIGHT: 3.586Kg.



100	16	2	3200
PCS/TARY	TRAY/INNER BOX	INNER BOX/CARTON	TOTAL Q'TY

THIS DRAWING IS A CONTROLLED DOCUMENT.		DWN		TE Connectivity	
DIMENSIONS: mm		CHK			
TOLERANCES UNLESS OTHERWISE SPECIFIED:		APVD		NAME	
8 PLC ± 1 PLC ± ±1 2 PLC ± ±3° 3 PLC ± ± 4 PLC ± ± ANGLES ± ±		PRODUCT SPEC		MICRO HYBRID I/O 5+12 THROUGH HOLE, PLUG ASSY	
MATERIAL		APPLICATION SPEC		RESTRICTED TO	
FINISH		WEIGHT		SIZE CAGE CODE DRAWING NO	
		CUSTOMER DRAWING		A3 00779 C-2129033	
		SCALE		SHEET 2 OF 2 REV G1	