



Chipsmall Limited consists of a professional team with an average of over 10 year of expertise in the distribution of electronic components. Based in Hongkong, we have already established firm and mutual-benefit business relationships with customers from,Europe,America and south Asia,supplying obsolete and hard-to-find components to meet their specific needs.

With the principle of “Quality Parts,Customers Priority,Honest Operation,and Considerate Service”,our business mainly focus on the distribution of electronic components. Line cards we deal with include Microchip,ALPS,ROHM,Xilinx,Pulse,ON,Everlight and Freescale. Main products comprise IC,Modules,Potentiometer,IC Socket,Relay,Connector.Our parts cover such applications as commercial,industrial, and automotives areas.

We are looking forward to setting up business relationship with you and hope to provide you with the best service and solution. Let us make a better world for our industry!



Contact us

Tel: +86-755-8981 8866 Fax: +86-755-8427 6832

Email & Skype: info@chipsmall.com Web: www.chipsmall.com

Address: A1208, Overseas Decoration Building, #122 Zhenhua RD., Futian, Shenzhen, China



4

3

2

1

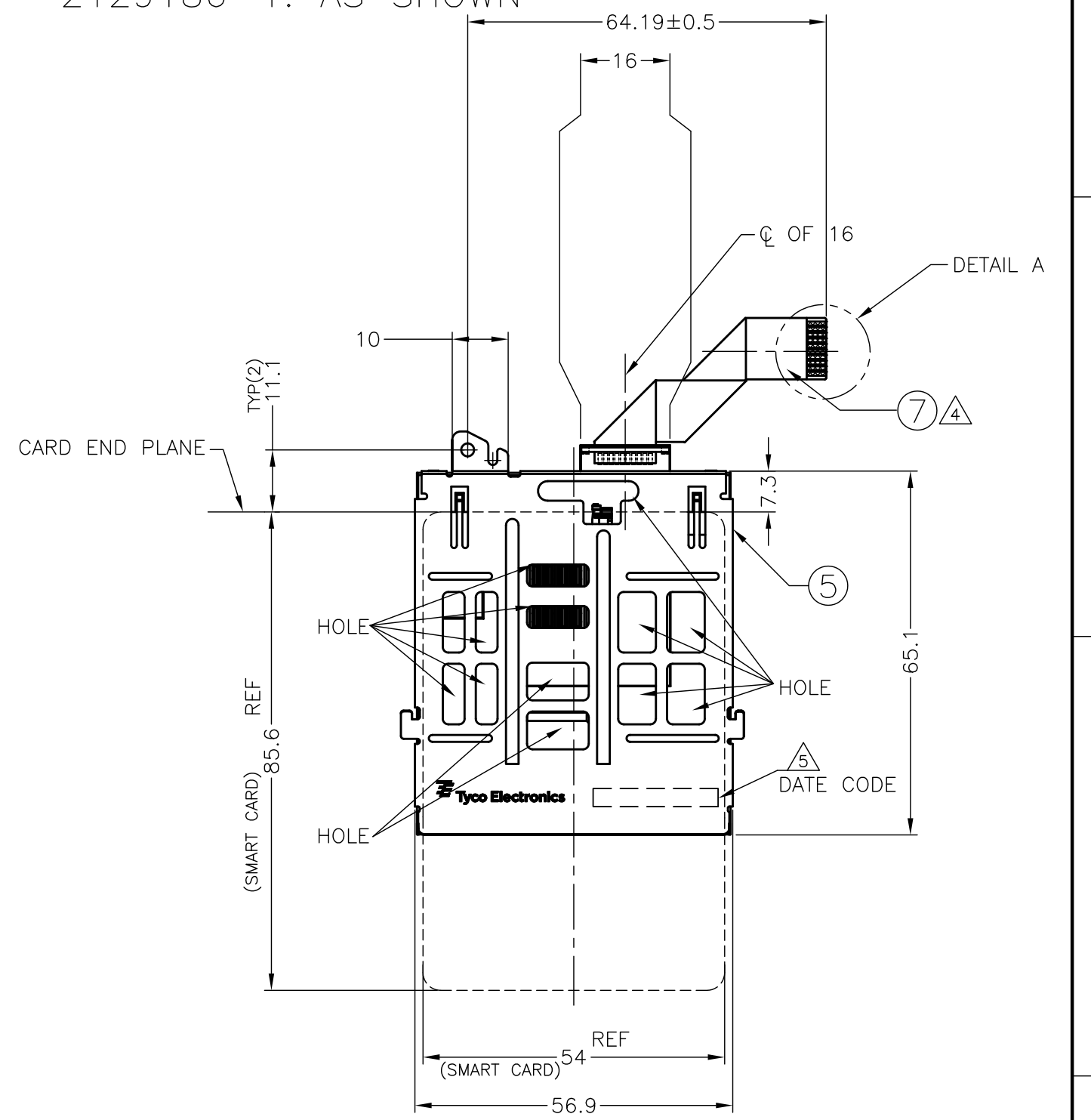
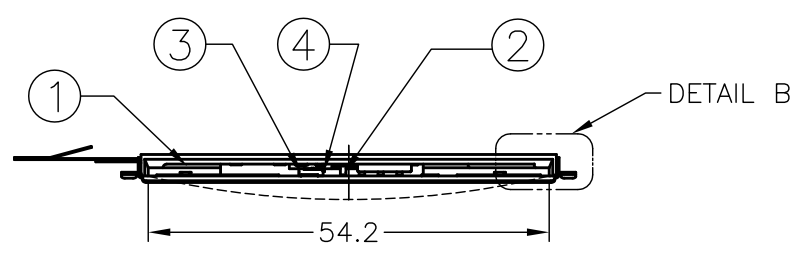
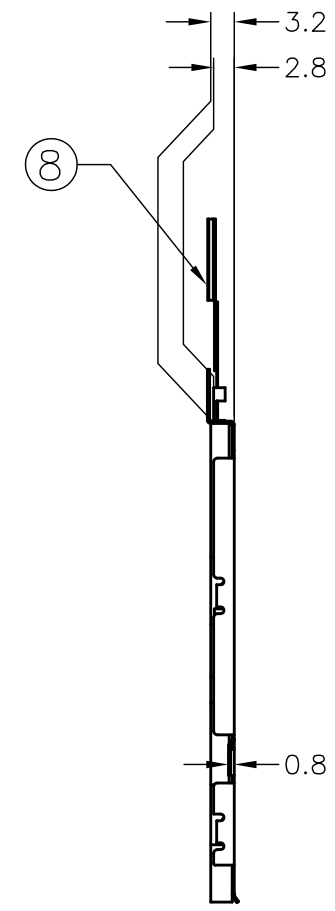
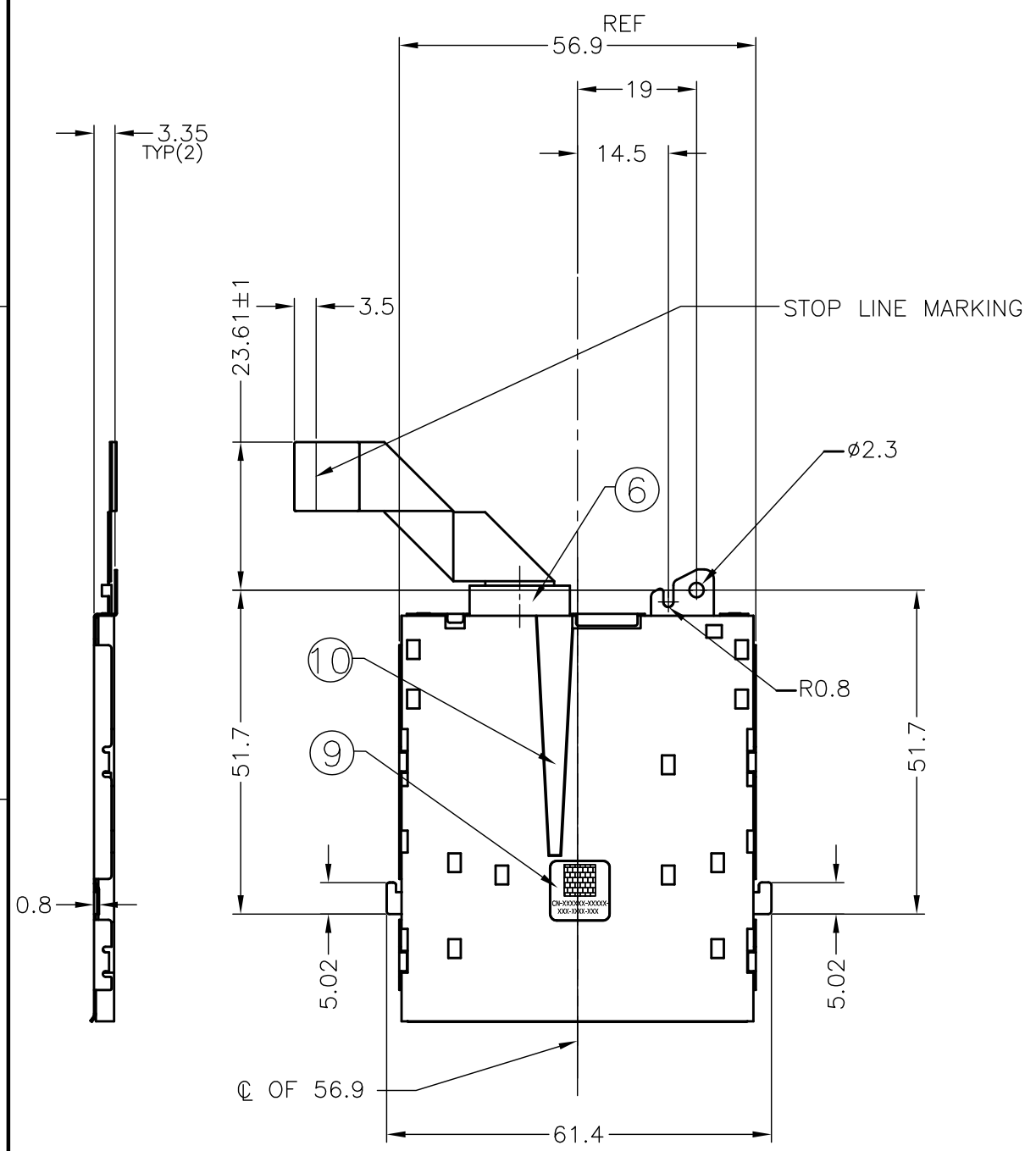
THIS DRAWING IS UNPUBLISHED. RELEASED FOR PUBLICATION
 © COPYRIGHT - By - ALL RIGHTS RESERVED.

LOC	DIST	REVISIONS			
P	LTR	DESCRIPTION	DATE	DWN	APVD
DW	/	E	REVISED (ECR-12-019990)	21NOV2012	B.W H.K

2129186-1: AS SHOWN

D
C
B
A

D
C
B
A

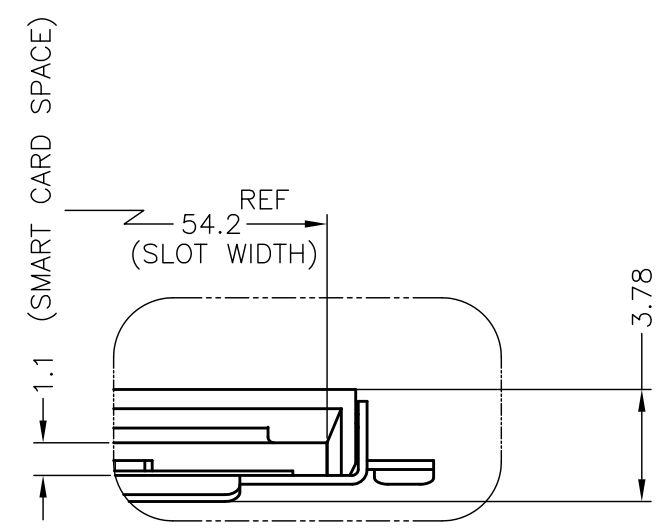


THIS DRAWING IS A CONTROLLED DOCUMENT.		DWN	P.HSU	01JUN'10	 TE Connectivity
DIMENSIONS: mm		CHK	W.CHEN	29APR'10	
TOLERANCES UNLESS OTHERWISE SPECIFIED:		APVD	H.KODAMA	29APR'10	
6 PLC ± 1 PLC ± ±0.25 2 PLC ± ±3 3 PLC ± ± 4 PLC ± ± ANGLES ± ±		PRODUCT SPEC	NAME		
MATERIAL		APPLICATION SPEC		108-99011	
FINISH		WEIGHT		17.4g	
		CUSTOMER DRAWING		SCALE 1:1	
		SIZE		A3	
		CAGE CODE		00779	
		DRAWING NO		2129186	
		RESTRICTED TO			
		SHEET		1 of 3	
		REV		E	

THIS DRAWING IS UNPUBLISHED. RELEASED FOR PUBLICATION
 © COPYRIGHT - By - ALL RIGHTS RESERVED.

LOC	DIST	REVISIONS					
DW		P	LTR	DESCRIPTION	DATE	DWN	APVD
		-		SEE SHEET 1	-	-	-

2129186-1: AS SHOWN

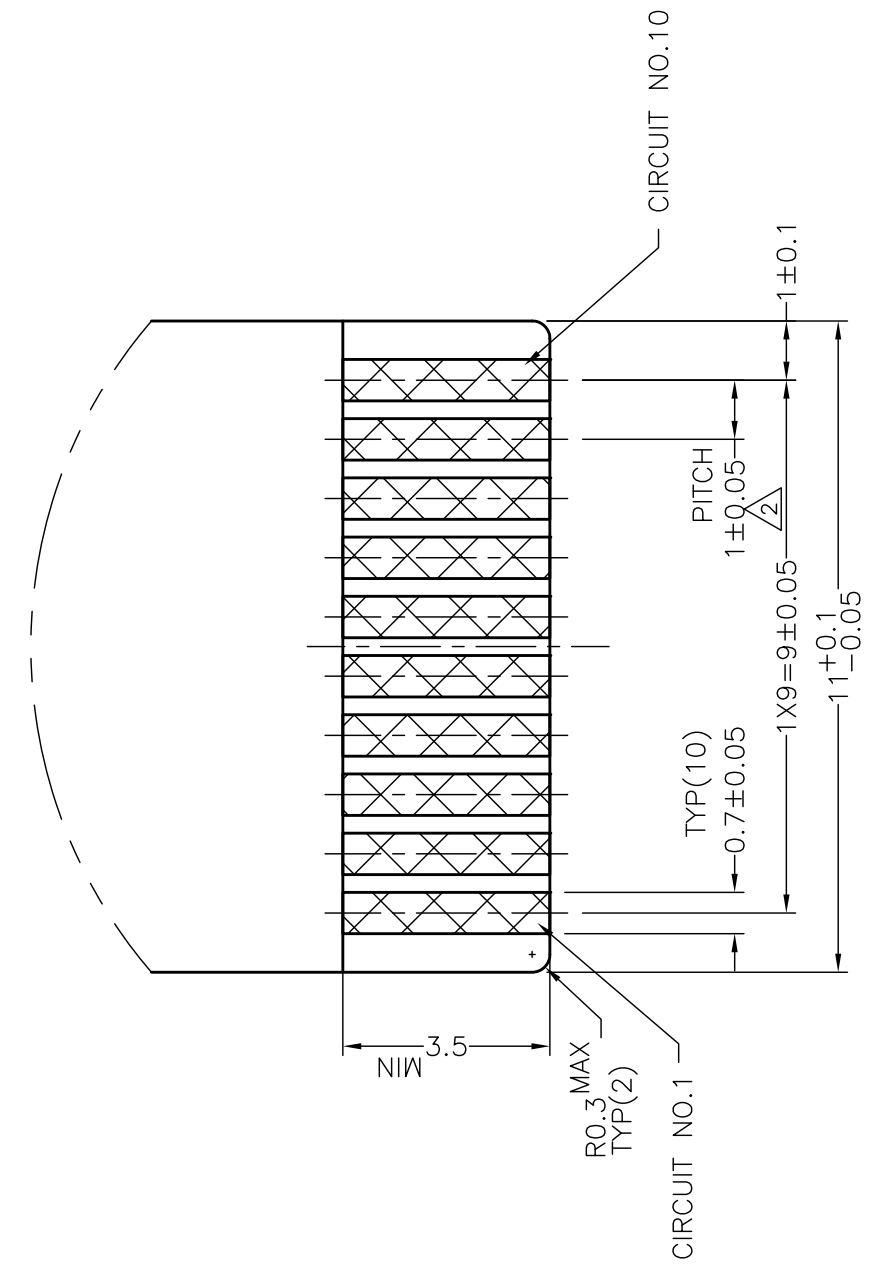


DETAIL B
SCALE 4:1

1	Vcc
2	RST
3	CLK
4	RFU4
5	GND
6	Vpp
7	I/O
8	RFU8
9	DET1
10	DET2
CIRCUIT NO.	ASSIGN

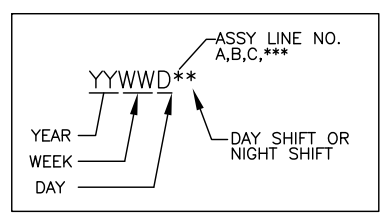
△1 PIN ASSIGNMENT

- △1 FFC PIN ASSIGNMENT (FFC/STIFFENER THICKNESS: 0.3 mm)
- △2 NO STACK TOLERANCE.
- △3 NORMAL OPEN (PIN SHORT WHEN SMARTCARD INSERTED).
- △4 APPLICABLE FPC/FFC CONNECTOR; TE P/N:1-2041084-0
- △5 DATE CODE



DETAIL A

⑩	MYLAR	1	POLYESTER FILM, COLOR:BLACK
⑨	PPID LABEL	1	POLYIMIDE
⑧	PULL TAB	1	POLYESTER, UL94 V-0
⑦	FFC CABLE	1	MATERIAL: THERMOPLASTICS INSULATED; COPPER STIFFENER BOARD : POLYESTER,UL94V-0 ; COLOR:BLUE FINISH: MATTE TIN PLATING 0.001mm MIN.,
⑥	PWB	1	FR-4(THK:0.4mm)
⑤	METAL SHELL	1	STAINLESS STEEL
④	SWITCH A	1	MATERIAL: CONTACTS: PHOSPHOR BRONZE
③	SWITCH B	1	FINISH: CONTACT AREA: GOLD PLATING 0.0002mm MIN.,
②	SIGNAL CONTACT	8	SOLDER TINE: MATTE TIN PLATING 0.002mm MIN., Ni 0.00127mm MIN. UNDERPLATING ALL OVER.
①	HOUSING	1	HIGH TEMP THERMOPLASTICS, COLOR:BLACK, UL94 V-0
ITEM	NAME	QTY	MATERIAL/FINISH



THIS DRAWING IS A CONTROLLED DOCUMENT.		DWN		TE Connectivity	
DIMENSIONS: mm		CHK			
TOLERANCES UNLESS OTHERWISE SPECIFIED:		APVD		NAME	
6 PLC ± 1 PLC ± ±0.25 2 PLC ± ±3° 3 PLC ± ± 4 PLC ± ± ANGLES ± ±		PRODUCT SPEC		SMART CARD CONNECTOR WITH FFC(1.0mm PITCH)	
MATERIAL		FINISH		SIZE	
				CAGE CODE	
				DRAWING NO	
				RESTRICTED TO	
				A3 00779	
				C-2129186	
				SCALE 8:1 SHEET 2 OF 3 REV E	
				CUSTOMER DRAWING	

4

3

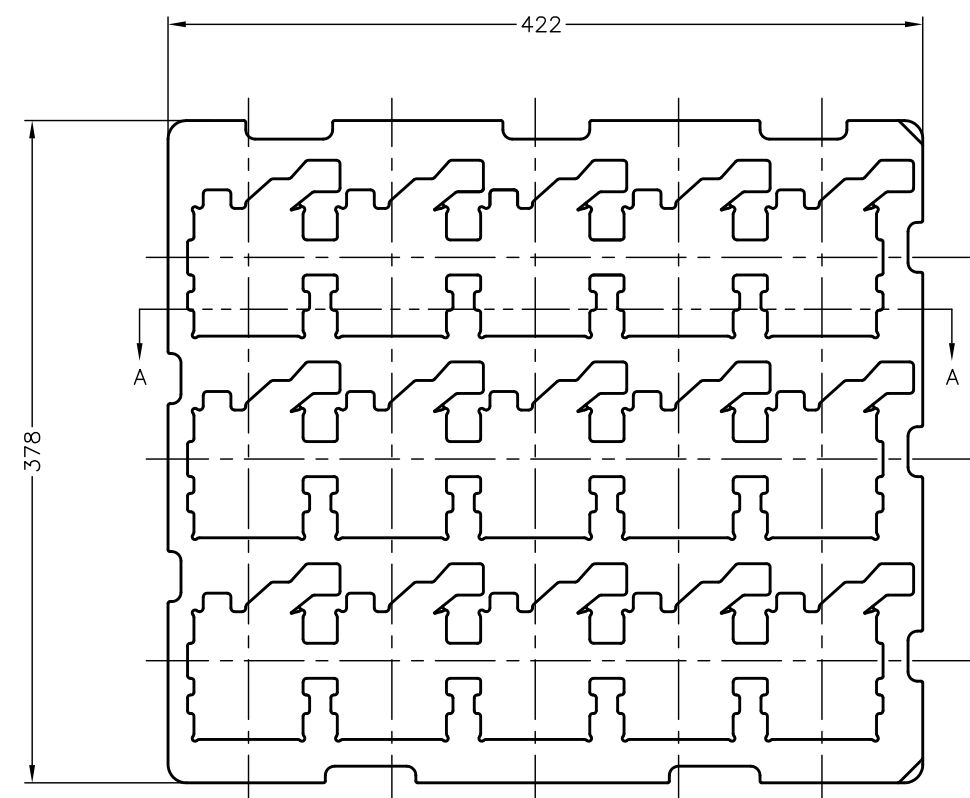
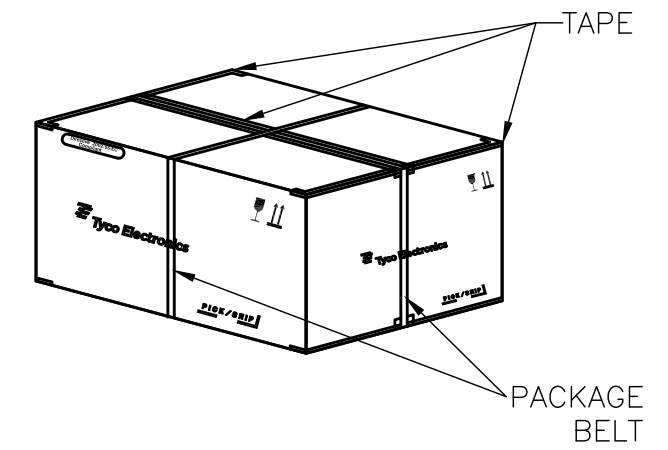
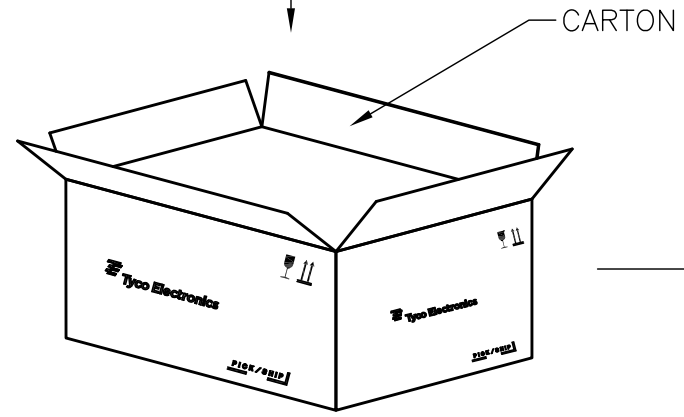
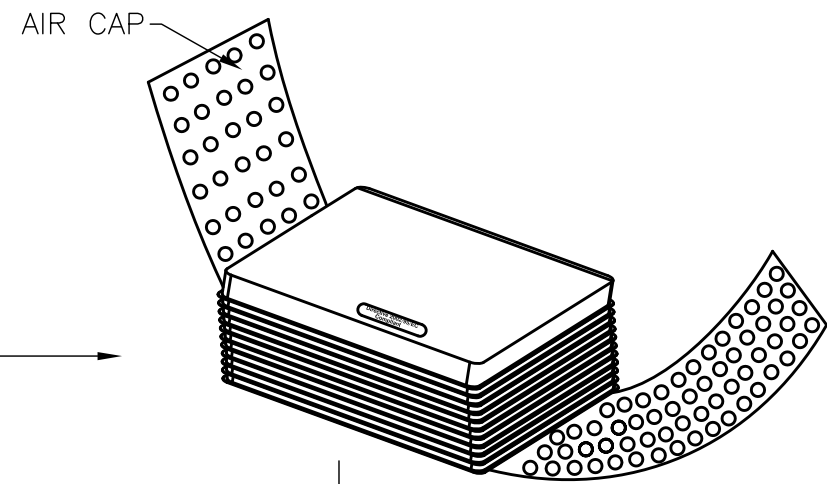
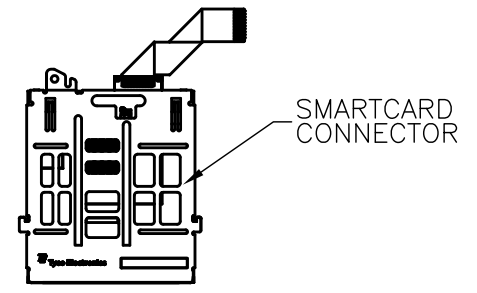
2

1

THIS DRAWING IS UNPUBLISHED. RELEASED FOR PUBLICATION - , - .
 © COPYRIGHT - By - ALL RIGHTS RESERVED.

LOC	DIST	REVISIONS					
DW		P	LTR	DESCRIPTION	DATE	DWN	APVD
		-		SEE SHEET 1	-	-	-

2129186-1: AS SHOWN



- 6. PACKING MATERIAL:
 TRAY: PS, COLOR: CLEAR, t=0.8
 CARTON : CORRUGATED FIBERBOARD
- 7. CARTON DIMENSION: 433X383X150

15	10	150
PCS/TRAY	TRAY/CARTON	TOTAL Q'TY

THIS DRAWING IS A CONTROLLED DOCUMENT.		DWN				
DIMENSIONS: mm		CHK				
TOLERANCES UNLESS OTHERWISE SPECIFIED:		APVD				
6 PLC ± 1 PLC ± ±3 2 PLC ± ±3 3 PLC ± ±3 4 PLC ± ± ANGLES ±		PRODUCT SPEC				
MATERIAL		FINISH	NAME SMART CARD CONNECTOR WITH FFC(1.0mm PITCH)			
			SIZE	CAGE CODE	DRAWING NO	RESTRICTED TO
			A3	00779	2129186	
			CUSTOMER DRAWING		SCALE	SHEET
					FREE	3 of 3
						REV E