



Chipsmall Limited consists of a professional team with an average of over 10 year of expertise in the distribution of electronic components. Based in Hongkong, we have already established firm and mutual-benefit business relationships with customers from,Europe,America and south Asia,supplying obsolete and hard-to-find components to meet their specific needs.

With the principle of “Quality Parts,Customers Priority,Honest Operation,and Considerate Service”,our business mainly focus on the distribution of electronic components. Line cards we deal with include Microchip,ALPS,ROHM,Xilinx,Pulse,ON,Everlight and Freescale. Main products comprise IC,Modules,Potentiometer,IC Socket,Relay,Connector.Our parts cover such applications as commercial,industrial, and automotives areas.

We are looking forward to setting up business relationship with you and hope to provide you with the best service and solution. Let us make a better world for our industry!



Contact us

Tel: +86-755-8981 8866 Fax: +86-755-8427 6832

Email & Skype: info@chipsmall.com Web: www.chipsmall.com

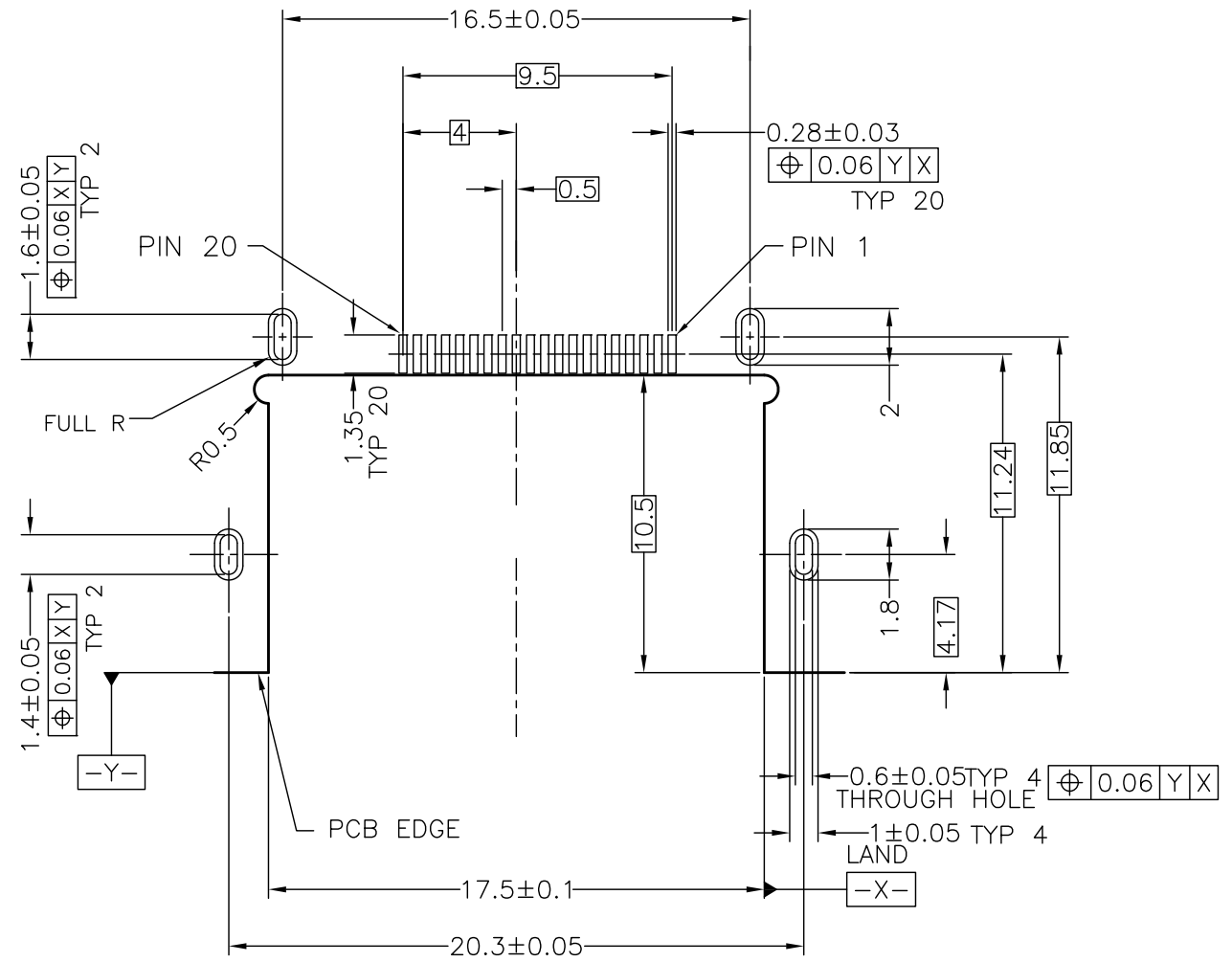
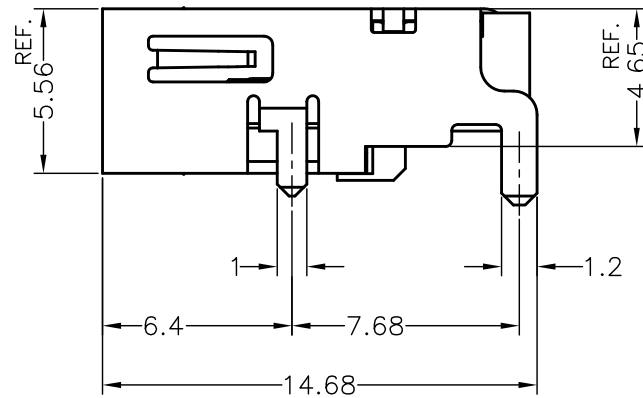
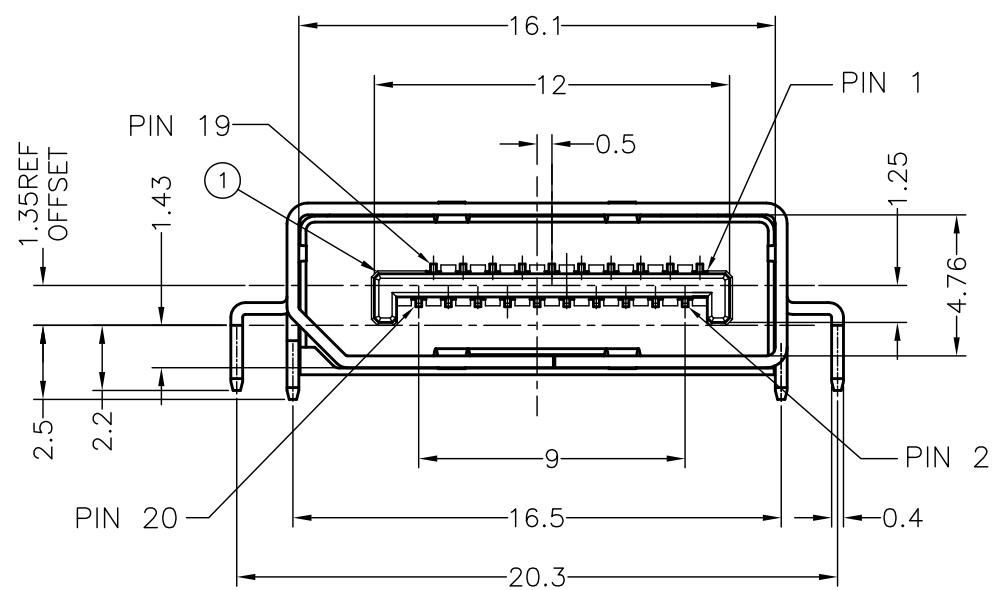
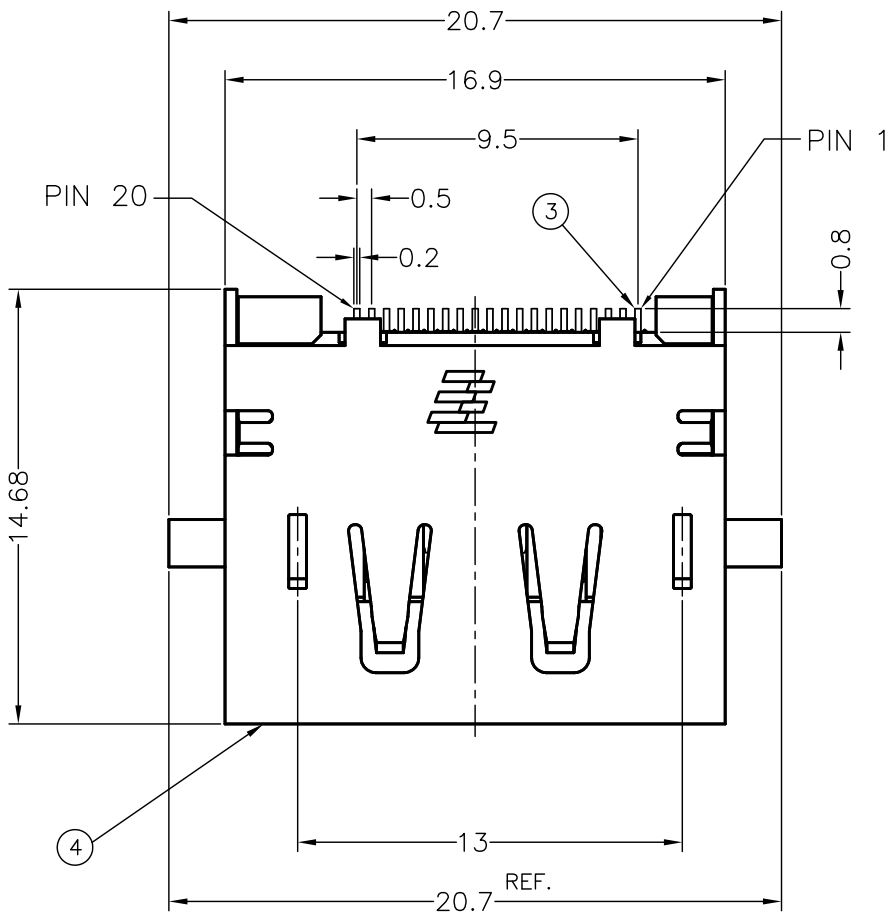
Address: A1208, Overseas Decoration Building, #122 Zhenhua RD., Futian, Shenzhen, China



THIS DRAWING IS UNPUBLISHED. RELEASED FOR PUBLICATION
 © COPYRIGHT 2008 By - ALL RIGHTS RESERVED.

LOC	DIST	REVISIONS			
P	LTR	DESCRIPTION	DATE	DWN	APVD
C		REVISED (ECR-12-010740)	30MAR2012	B.W	M.C

-1; AS SHOWN



RECOMMENDED PCB LAYOUT

NO	DESCRIPTION	MATERIAL	FINISH	QTY.
④	SHELL	STAINLESS STEEL	Ni PLATING OVERALL	1
③	CONTACT	COPPER ALLOY	Au 10u" OVER Ni	20
②	MYLAR	POLYIMIND FILM		1
①	HOUSING	HIGH TEMP. BLACK THERMOPLASTIC		1

THIS DRAWING IS A CONTROLLED DOCUMENT.	
DIMENSIONS: mm	TOLERANCES UNLESS OTHERWISE SPECIFIED: 0 PLC ± 0.3 1 PLC ± 0.3 2 PLC ± 0.3 3 PLC ± 0.3 4 PLC ± 0.3 ANGLES ± 3'
MATERIAL	FINISH SEE TABLE

DWN	U.CHUANG	16NOV2010
CHK	V.PENG	16NOV2010
APVD	H.KODAMA	16NOV2010
PRODUCT SPEC		
APPLICATION SPEC		
WEIGHT	2.0 g	

TE Connectivity		NAME	
		SMT TYPE, OFFSET CL 1.35 DISPLAYPORT RECEPTACLE CONNECTOR	
SIZE	CAGE CODE	DRAWING NO	RESTRICTED TO
A3	00779	C-2129250	
CUSTOMER DRAWING		SCALE	SHEET
		4:1	1 OF 2
		REV	C

4

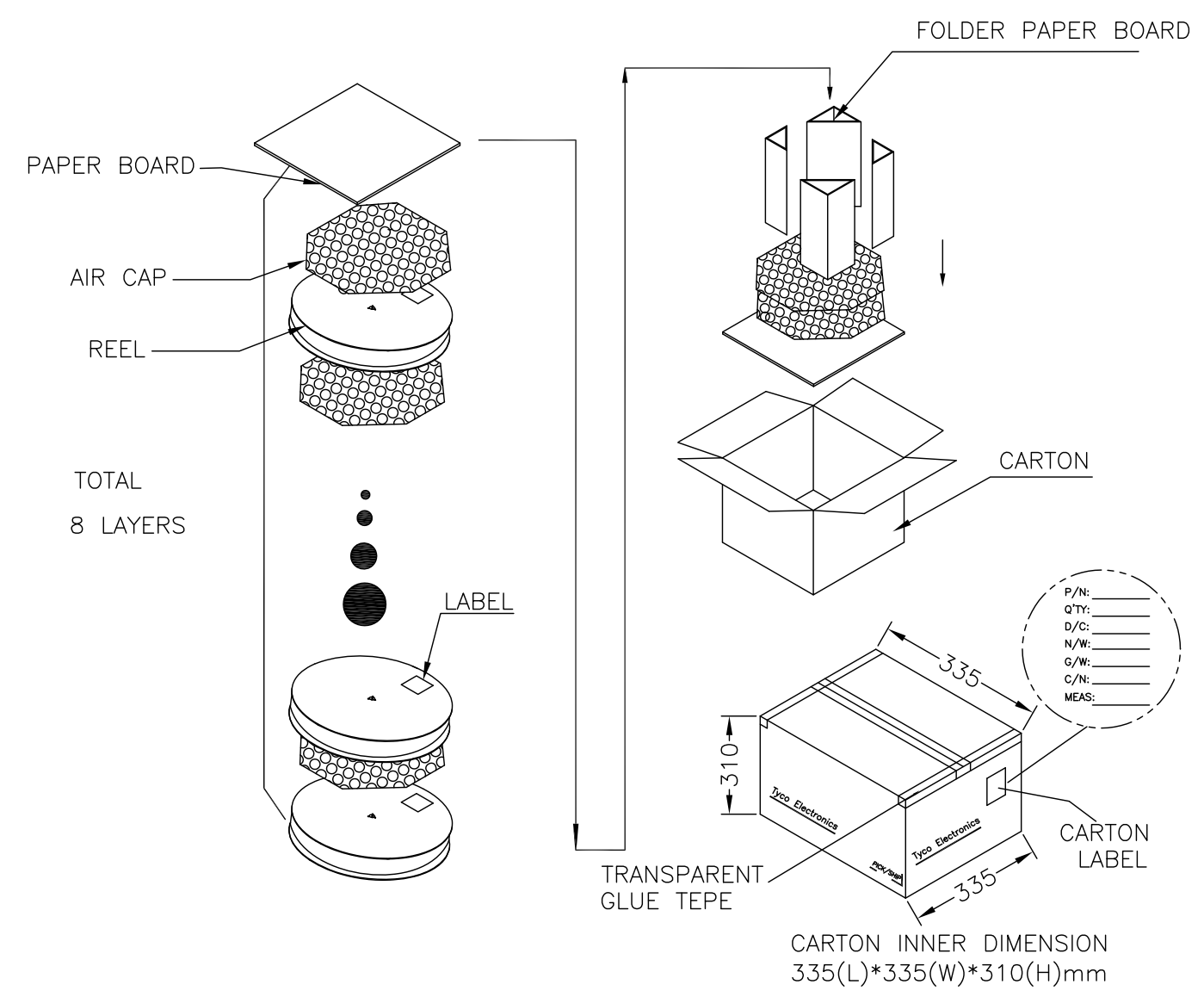
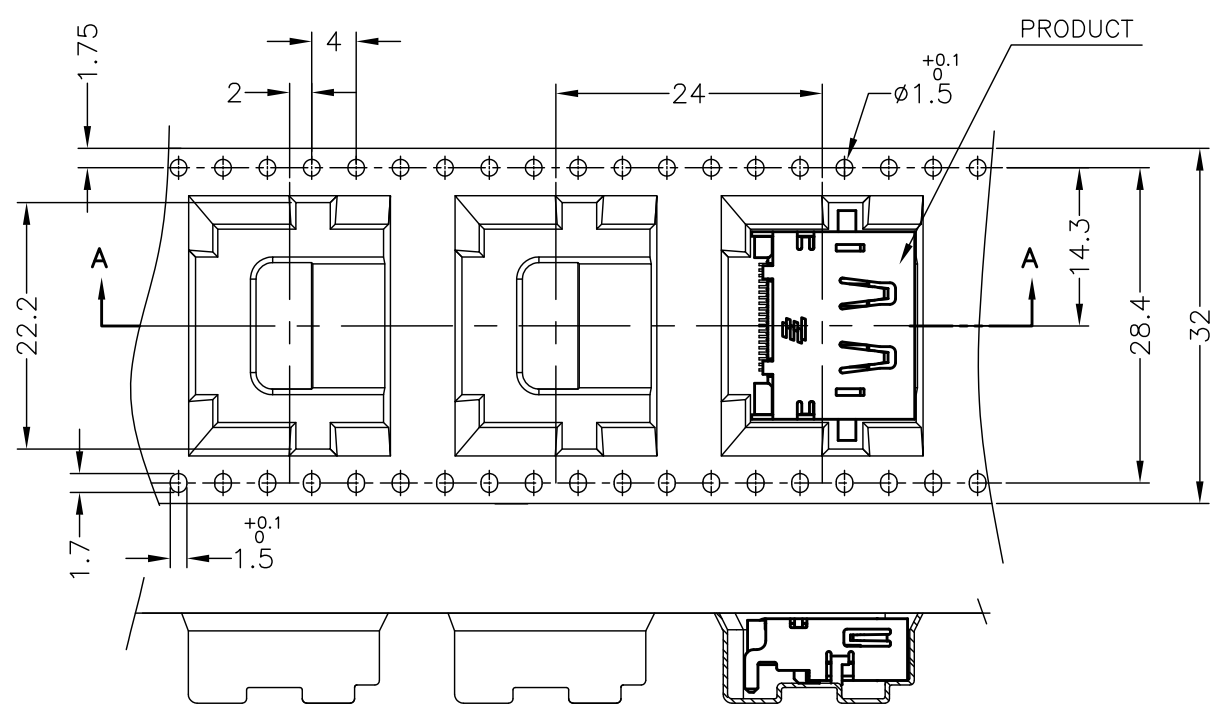
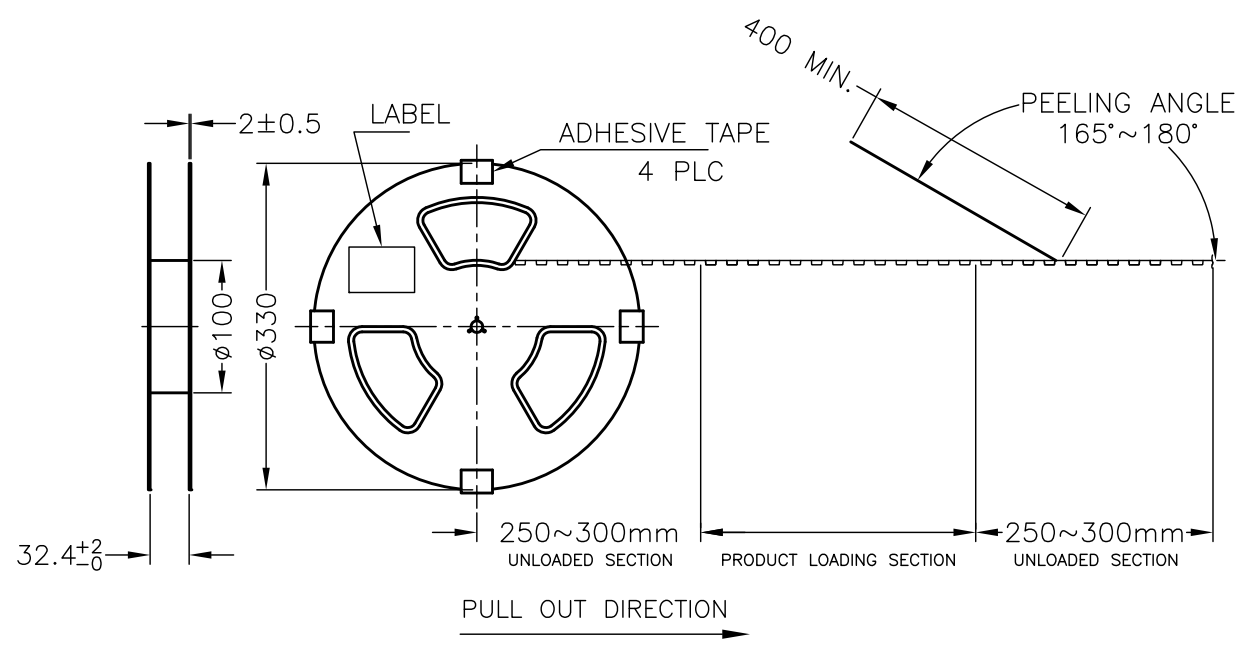
3

2

1

THIS DRAWING IS UNPUBLISHED. RELEASED FOR PUBLICATION JAN ,2008.
 ALL RIGHTS RESERVED.

LOC	DIST	REVISIONS					
DW		P	LTR	DESCRIPTION	DATE	DWN	APVD
		-		SEE SHEET 1	-	-	-



- PACKING MATERIAL :
 - EMBOSSED CARRIER: PS
 - COVER TAPE: PE
 - SHIPPING CARTON: CORRUGATED FIBER
- QUANTITY :
 - PRIMARY PACKING: 300PCS/REEL
 - SECUNARY PACKING: 8 REELS/CARTON (2400 PCS/CRTON)
- WEIGHT :
 - NET WEIGHT: 1.88g/PCS, 0.564kg/REEL, 4.512kg/CARTON.
 - GROSS WEIGHT: 8.622kg/CARTON.
- PEELING RESISTANCE: 0.1~0.7N(10.2gf~71.4gf).
- PEELING SPEED: 300mm/minutes.
- CARRIER TAPES,COVER TAPES,REELS AND TAPED COMPONENTS MUST MEET THE REQUIREMENTS DEFINED PER EIA-481-B

THIS DRAWING IS A CONTROLLED DOCUMENT.		DWN	TE Connectivity		
		CHK			
		APVD	NAME		
		PRODUCT SPEC	SMT TYPE, OFFSET CL 1.35 DISPLAYPORT RECEPTACLE CONNECTOR		
		APPLICATION SPEC			
		WEIGHT	SIZE	CAGE CODE	DRAWING NO
		CUSTOMER DRAWING	A3	00779	2129250
		SCALE	SHEET	REV	
		NTS	2 OF 2	C	