



Chipsmall Limited consists of a professional team with an average of over 10 year of expertise in the distribution of electronic components. Based in Hongkong, we have already established firm and mutual-benefit business relationships with customers from,Europe,America and south Asia,supplying obsolete and hard-to-find components to meet their specific needs.

With the principle of “Quality Parts,Customers Priority,Honest Operation,and Considerate Service”,our business mainly focus on the distribution of electronic components. Line cards we deal with include Microchip,ALPS,ROHM,Xilinx,Pulse,ON,Everlight and Freescale. Main products comprise IC,Modules,Potentiometer,IC Socket,Relay,Connector.Our parts cover such applications as commercial,industrial, and automotives areas.

We are looking forward to setting up business relationship with you and hope to provide you with the best service and solution. Let us make a better world for our industry!



Contact us

Tel: +86-755-8981 8866 Fax: +86-755-8427 6832

Email & Skype: info@chipsmall.com Web: www.chipsmall.com

Address: A1208, Overseas Decoration Building, #122 Zhenhua RD., Futian, Shenzhen, China



4

3

2

1

THIS DRAWING IS UNPUBLISHED.

RELEASED FOR PUBLICATION

20

© COPYRIGHT 20 BY -

ALL RIGHTS RESERVED.

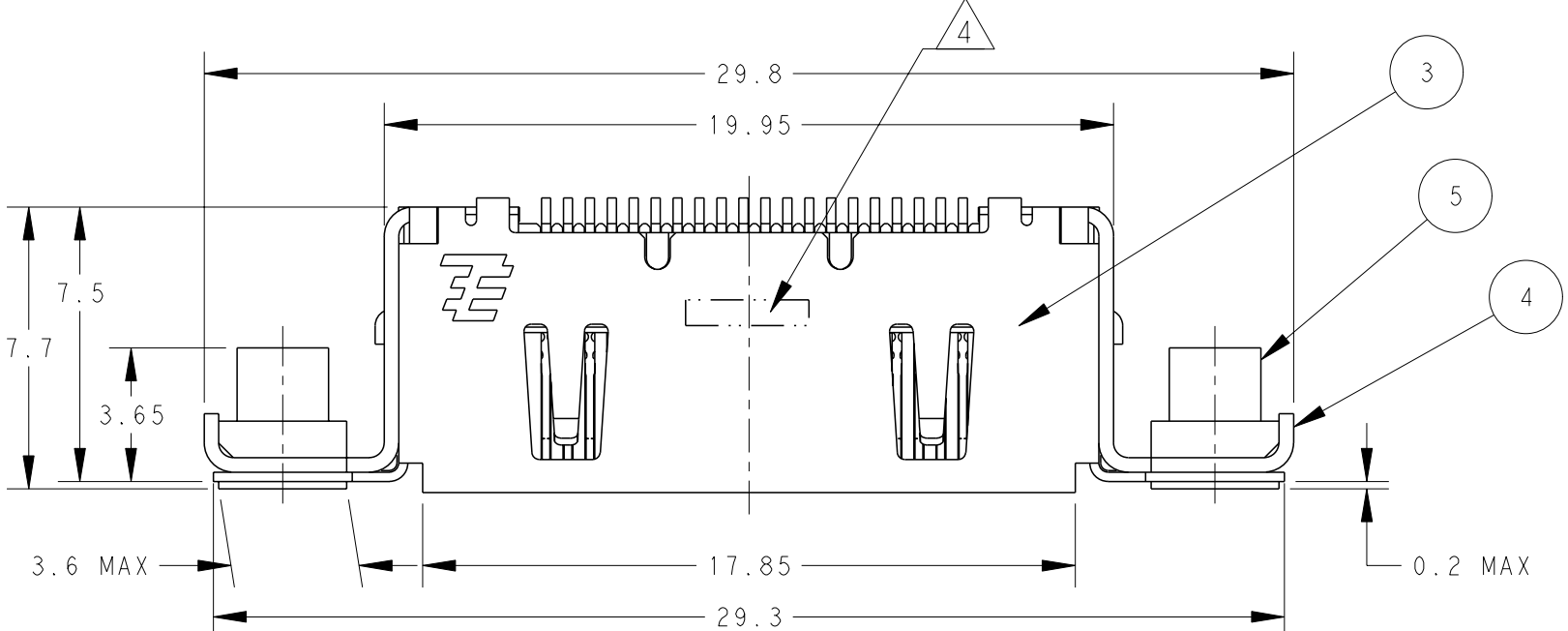
LOC DW DIST

REVISIONS

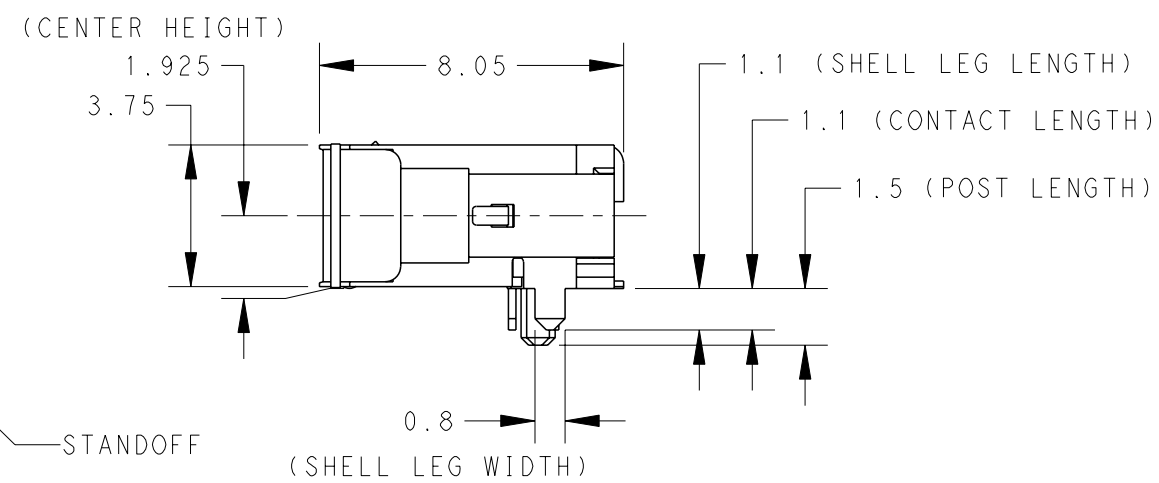
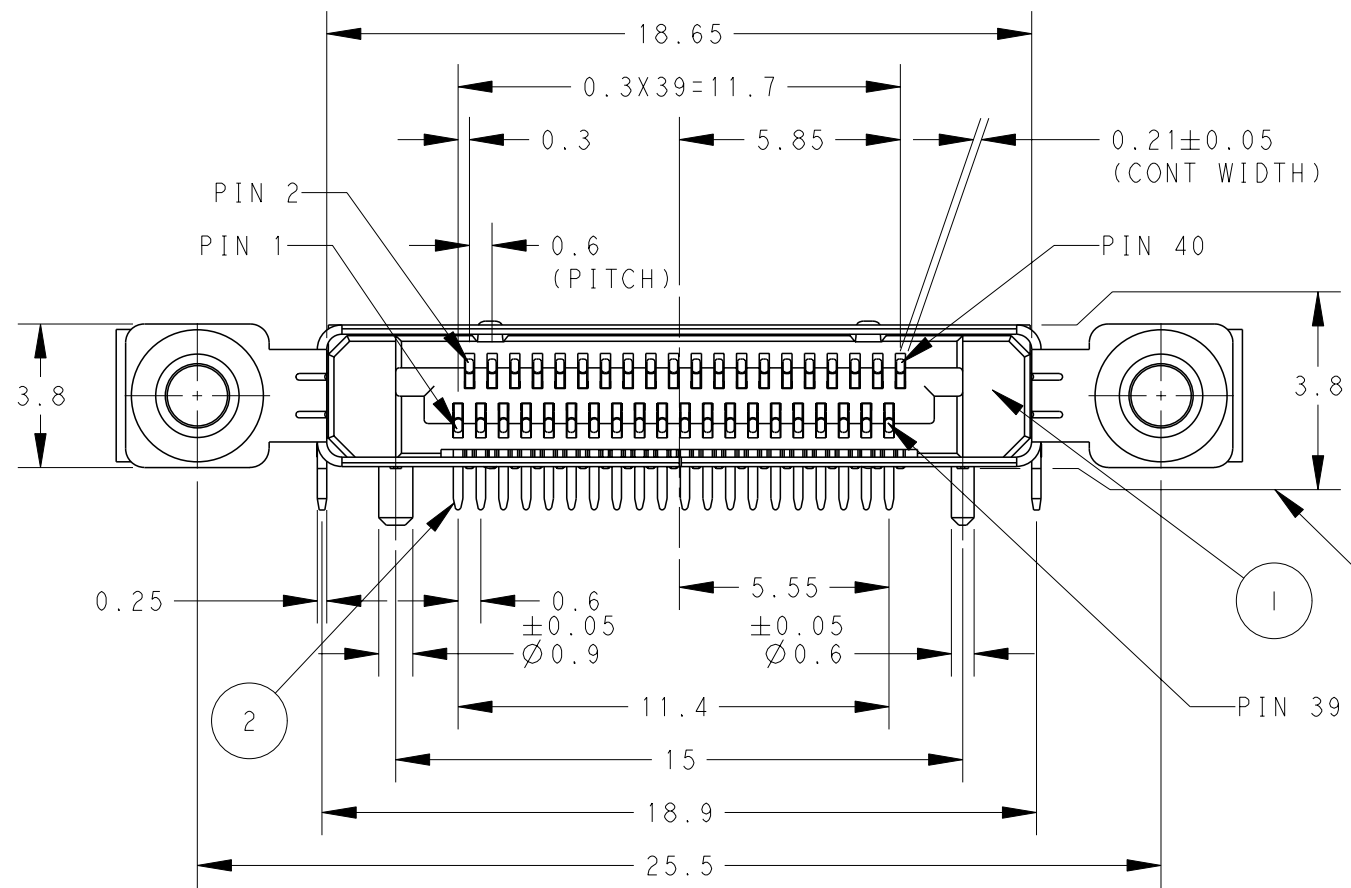
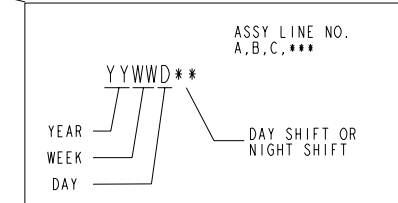
P	LTR	DESCRIPTION	DATE	DWN	APVD
B		REVISED (ECR-11-013643)	30JUN2011	T.K	H.K

2129260-1; AS SHOWN

- ① MATERIAL: HOUSING: THERMO-PLASTIC(UL94V-0, BLACK).
CONTACT: COPPER ALLOY.
SHELL: STAINLESS STEEL.
BRACKET: STAINLESS STEEL.
BUSH: STEEL.
- ② FINISH:
CONTACT: ALL OVER 2um MIN. Ni UNDER PLATING.
0.38um MIN. Au PLATING ON CONTACT AREA.
1~3um Tin PLATING ON TINE AREA.
SHELL: ALL OVER 1.3um MIN. Ni UNDER PLATING.
BUSH: ALL OVER 3um MIN. Ni UNDER PLATING.
- 3. LOW HALOGEN SPECIFICATION
CHLORINE(Cl) : 900 ppm MAX.
BROMINE(Br) : 900 ppm MAX.
- ④ DATE CODE



WITH NUT



Q'TY	NAME	ITEM
2	BUSH (M2)	⑤
2	BRACKET	④
1	SHELL	③
40	CONTACT	②
1	HOUSING	①

VIEW A

THIS DRAWING IS A CONTROLLED DOCUMENT.

DWN	T. KUO	31MAR2011
CHK	V. PENG	31MAR2011
APVD	H. KODAMA	31MAR2011
PRODUCT SPEC	108-99033	
APPLICATION SPEC		
WEIGHT	1.39g	

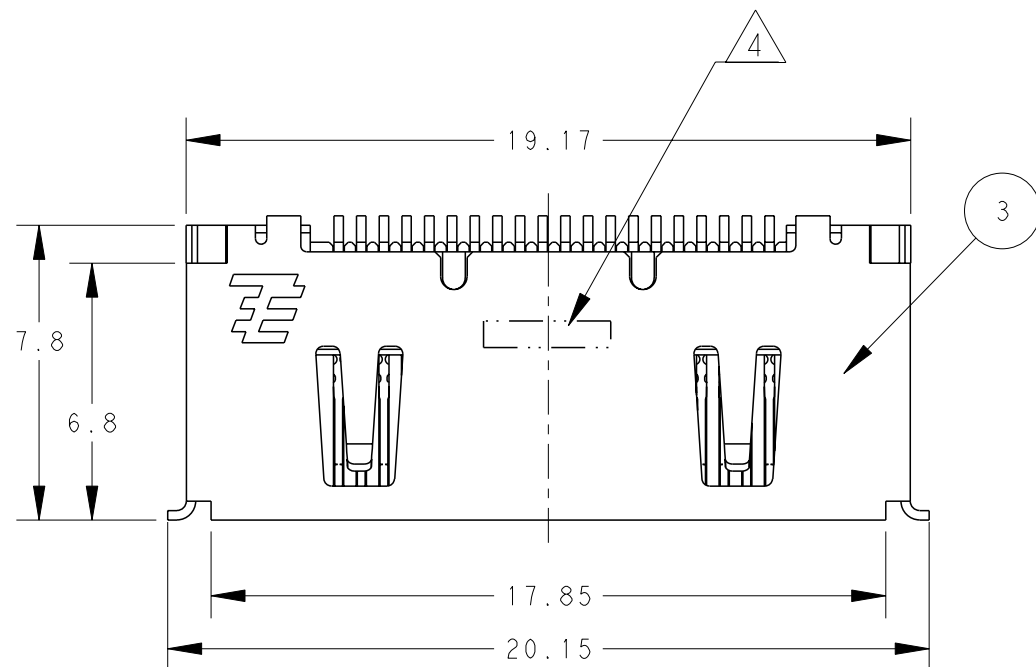
TE Connectivity

RECEPTACLE ASSY, 0.6mm PITCH
CHAMP DOCKING CONNECTOR, 40POS

SIZE	CAGE CODE	DRAWING NO	RESTRICTED TO
A3	00779	C=2129260	

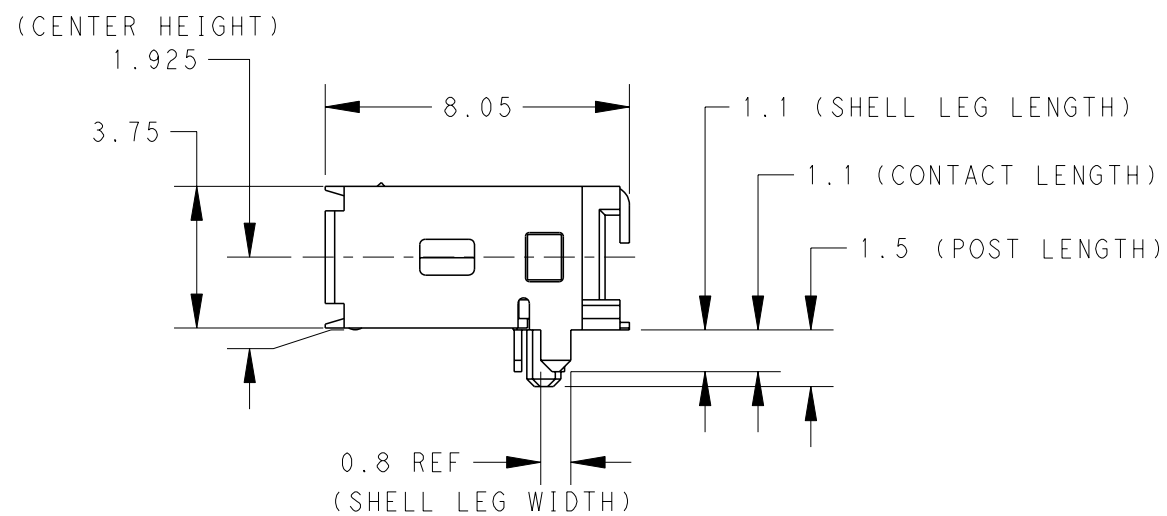
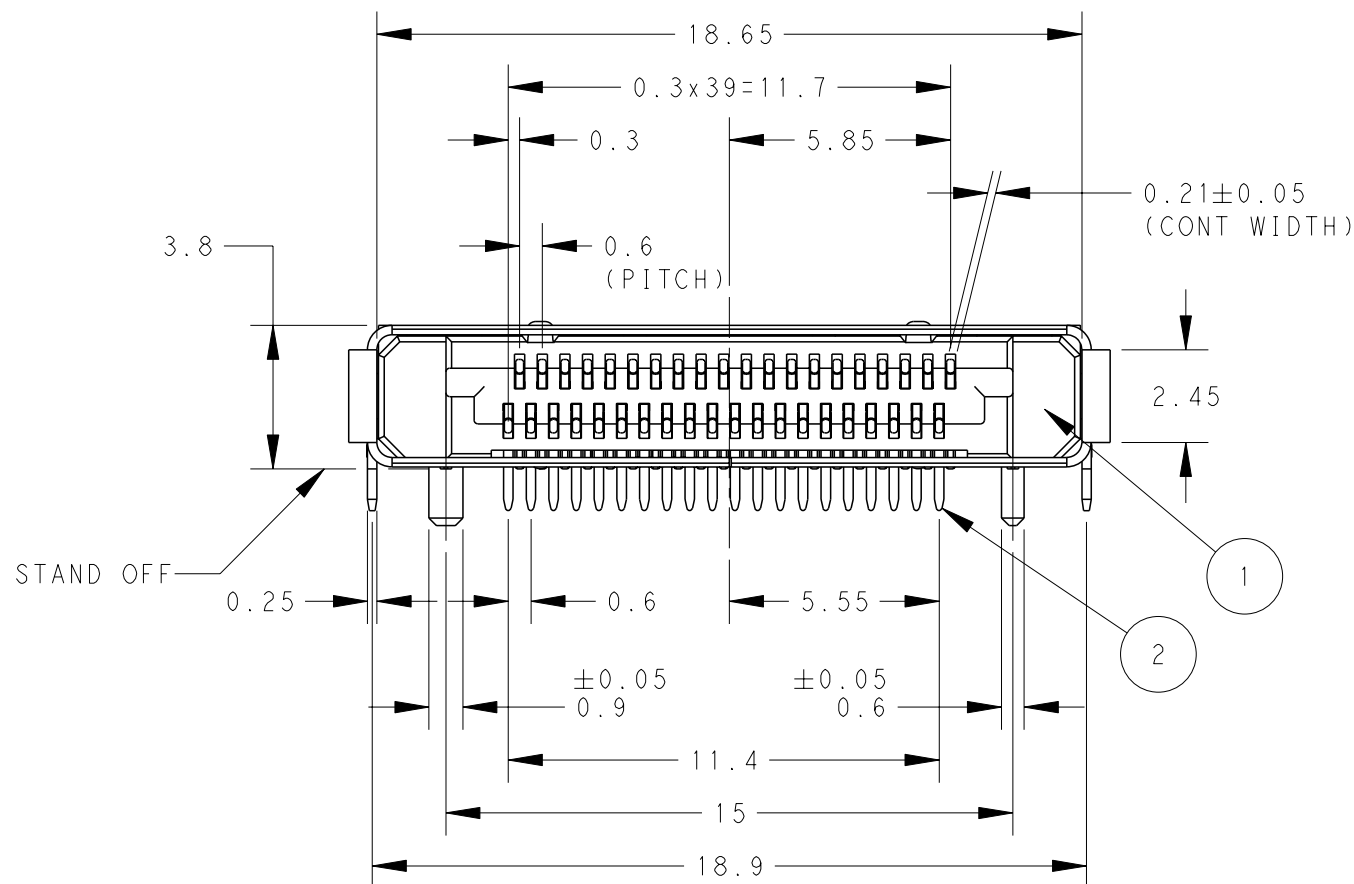
CUSTOMER DRAWING SCALE 5:1 SHEET 1 OF 6 REV B

P	LTR	DESCRIPTION	DATE	DWN	APVD
		SEE SHEET 1			




2129260-2; AS SHOWN

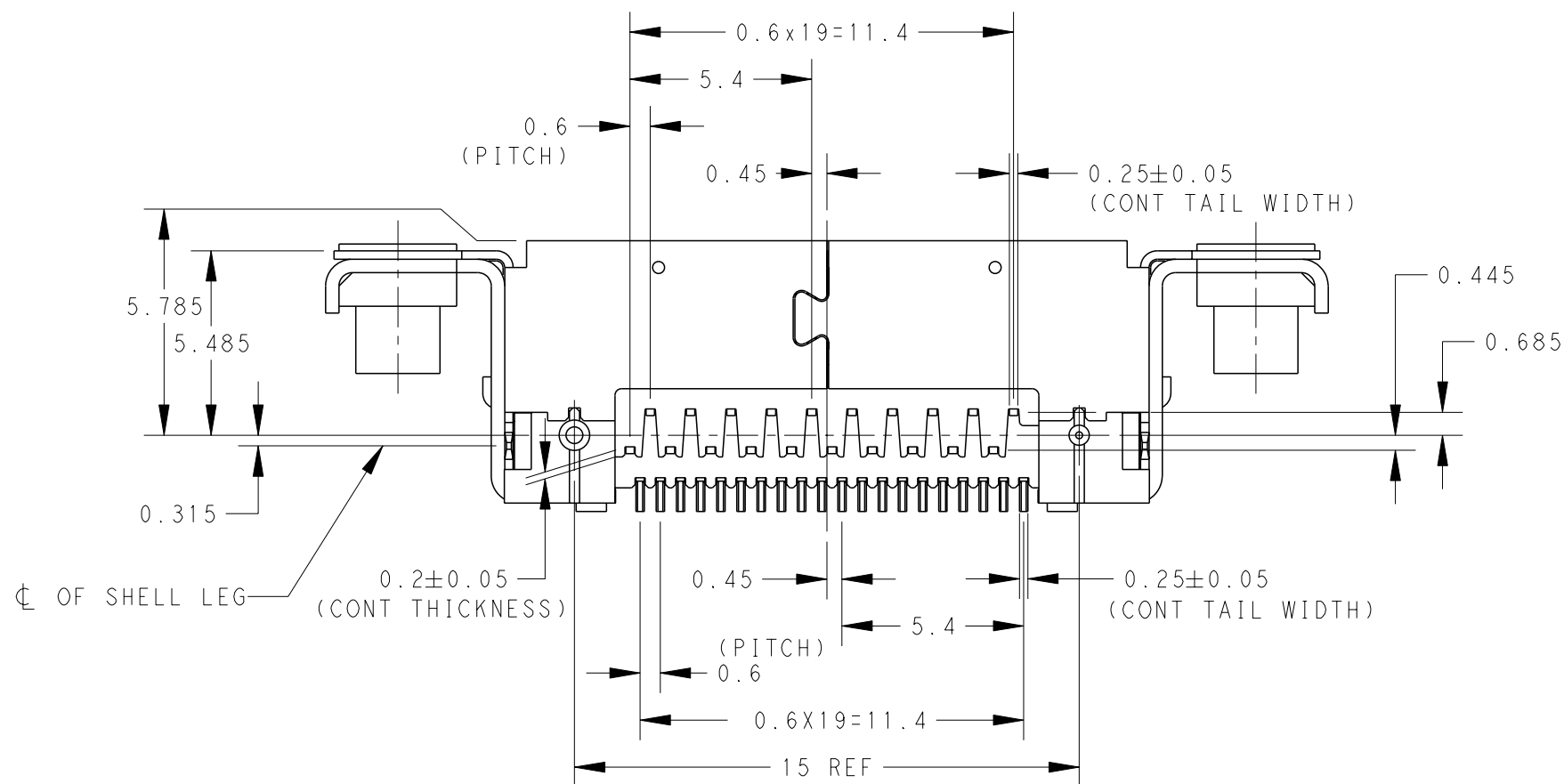
WITHOUT NUT



Q'TY	NAME	ITEM
1	SHELL	③
40	CONTACT	②
1	HOUSING	①

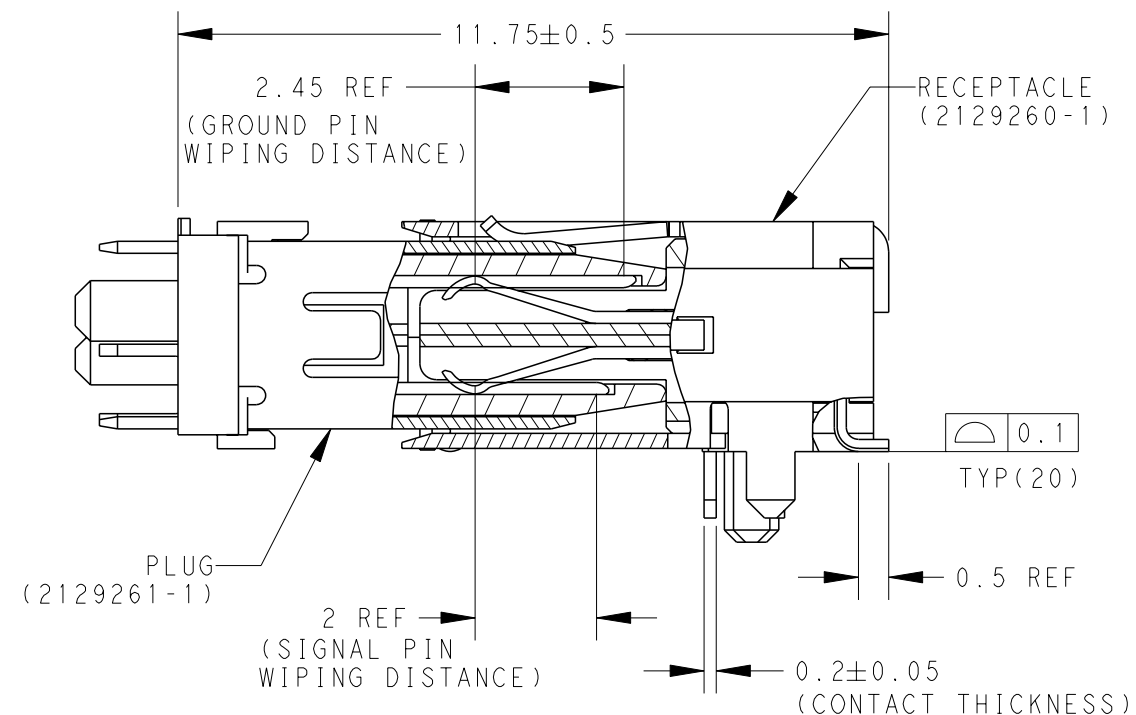
THIS DRAWING IS A CONTROLLED DOCUMENT.		DWN	 TE Connectivity			
DIMENSIONS: mm		CHK				
TOLERANCES UNLESS OTHERWISE SPECIFIED:		APVD				
0 PLC ±- 1 PLC ±- ±0.25 2 PLC ±- ±0.25 3 PLC ±- ±3° 4 PLC ±- ANGLES ±- FINISH -		PRODUCT SPEC				
MATERIAL -		APVD	NAME RECEPTACLE ASSY, 0.6mm PITCH CHAMP DOCKING CONNECTOR, 40POS			
		PRODUCT SPEC	SIZE	CAGE CODE	DRAWING NO	RESTRICTED TO
		APPLICATION SPEC	A3	00779	C-2129260	-
		WEIGHT	0.87g			
		CUSTOMER DRAWING	SCALE	SHEET	OF	REV
			5:1	2	6	B

P	LTR	DESCRIPTION	DATE	DWN	APVD
		SEE SHEET 1			



VIEW A

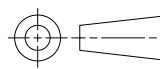
2129260-2 IS SAME AS 2129260-1



MATING CONDITION

THIS DRAWING IS A CONTROLLED DOCUMENT.

DIMENSIONS:
mm



TOLERANCES UNLESS OTHERWISE SPECIFIED:

0 PLC	±	±0.25
1 PLC	±	±0.25
2 PLC	±	±0.25
3 PLC	±	±0.25
4 PLC	±	±0.25
ANGLES	±	±
FINISH	-	-

MATERIAL

DWN	-
CHK	-
APVD	-
PRODUCT SPEC	-
APPLICATION SPEC	-
WEIGHT	-



TE Connectivity

NAME
RECEPTACLE ASSY, 0.6mm PITCH
CHAMP DOCKING CONNECTOR, 40POS

SIZE	CAGE CODE	DRAWING NO	RESTRICTED TO
A3	00779	C=2129260	-

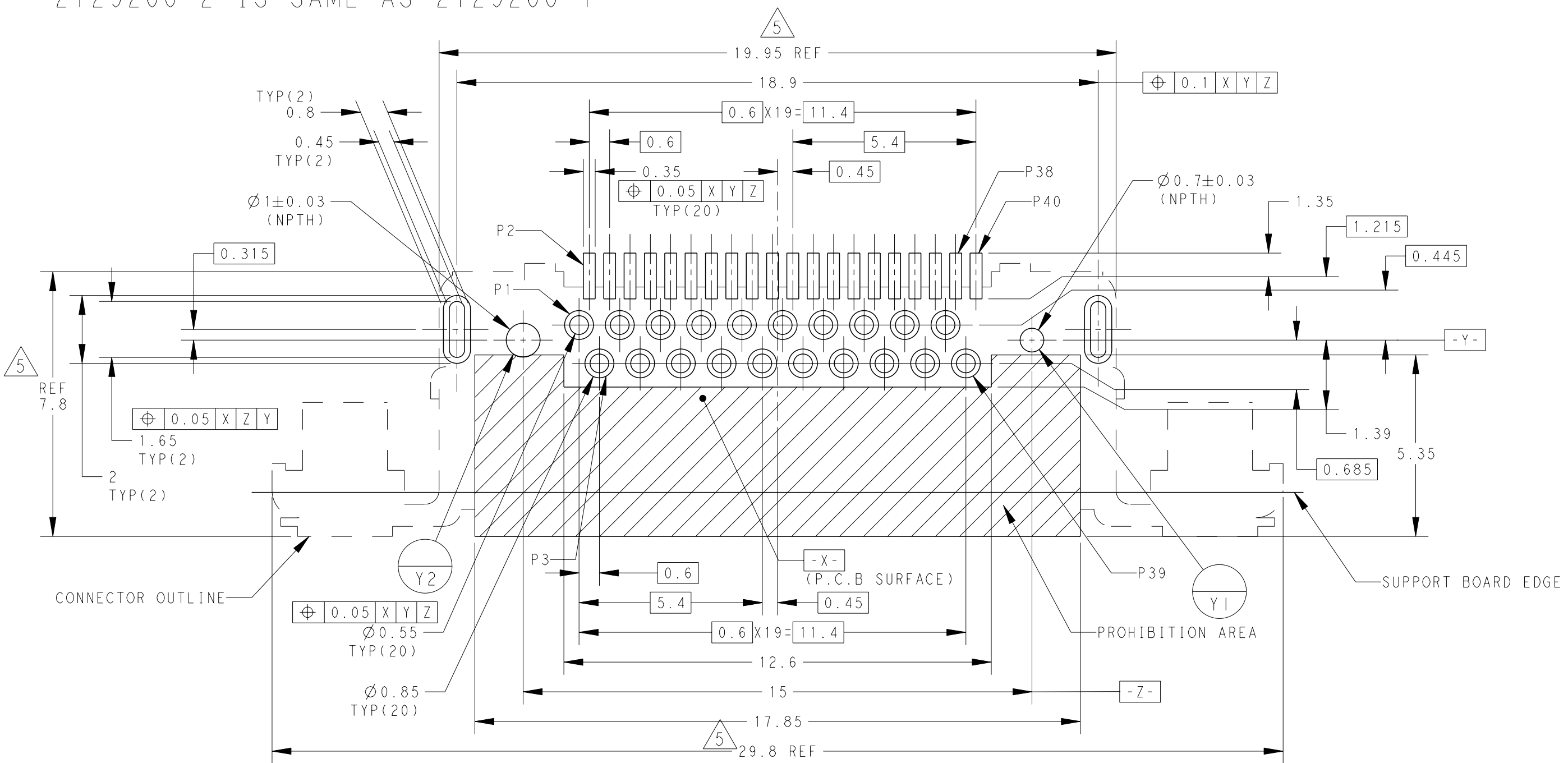
CUSTOMER DRAWING

SCALE 5:1 SHEET 3 OF 6 REV B

THIS DRAWING IS UNPUBLISHED. RELEASED FOR PUBLICATION 20
 © COPYRIGHT 20 BY - ALL RIGHTS RESERVED.

LOC	DIST	REVISIONS					
DW		P	LTR	DESCRIPTION	DATE	DWN	APVD
				SEE SHEET 1			

2129260-2 IS SAME AS 2129260-1



RECOMMENDED P.C. BOARD LAYOUT (TOP VIEW)

5 CONNECTOR OUTLINE
 6 SUPPORT BOARD EDGE

THIS DRAWING IS A CONTROLLED DOCUMENT.		DWN	-	
DIMENSIONS: mm		CHK	-	
TOLERANCES UNLESS OTHERWISE SPECIFIED:		APVD	-	
0 PLC	±	PRODUCT SPEC	-	
1 PLC	±	APPLICATION SPEC	-	
2 PLC	±	WEIGHT	-	
3 PLC	±	CUSTOMER DRAWING	-	
4 PLC	±		-	
ANGLES	±		-	
FINISH	-		-	

STE TE Connectivity

NAME: RECEPTACLE ASSY, 0.6mm PITCH CHAMP DOCKING CONNECTOR, 40POS

SIZE: A3 CAGE CODE: 300779 DRAWING NO: C-2129260 RESTRICTED TO: -

SCALE: 8:1 SHEET: 4 OF 6 REV: B

4

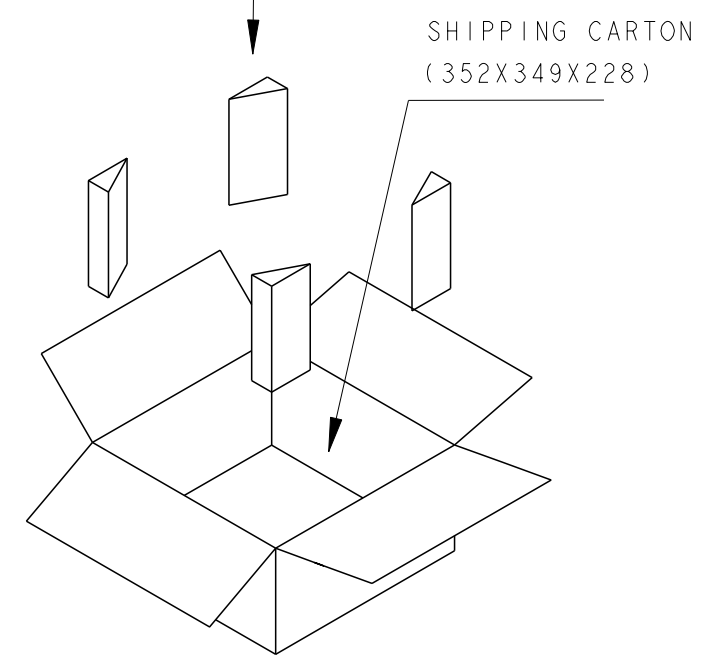
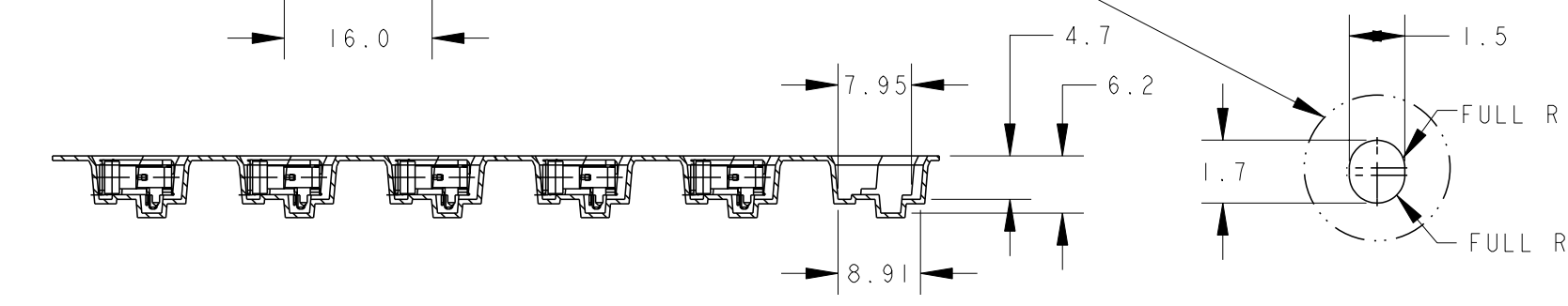
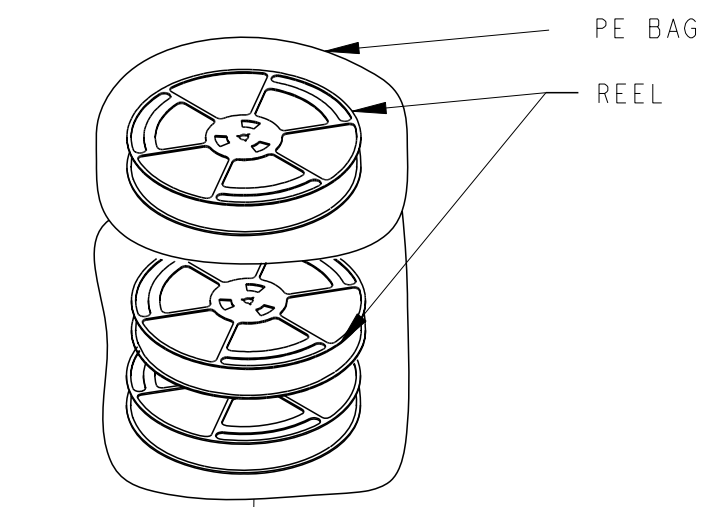
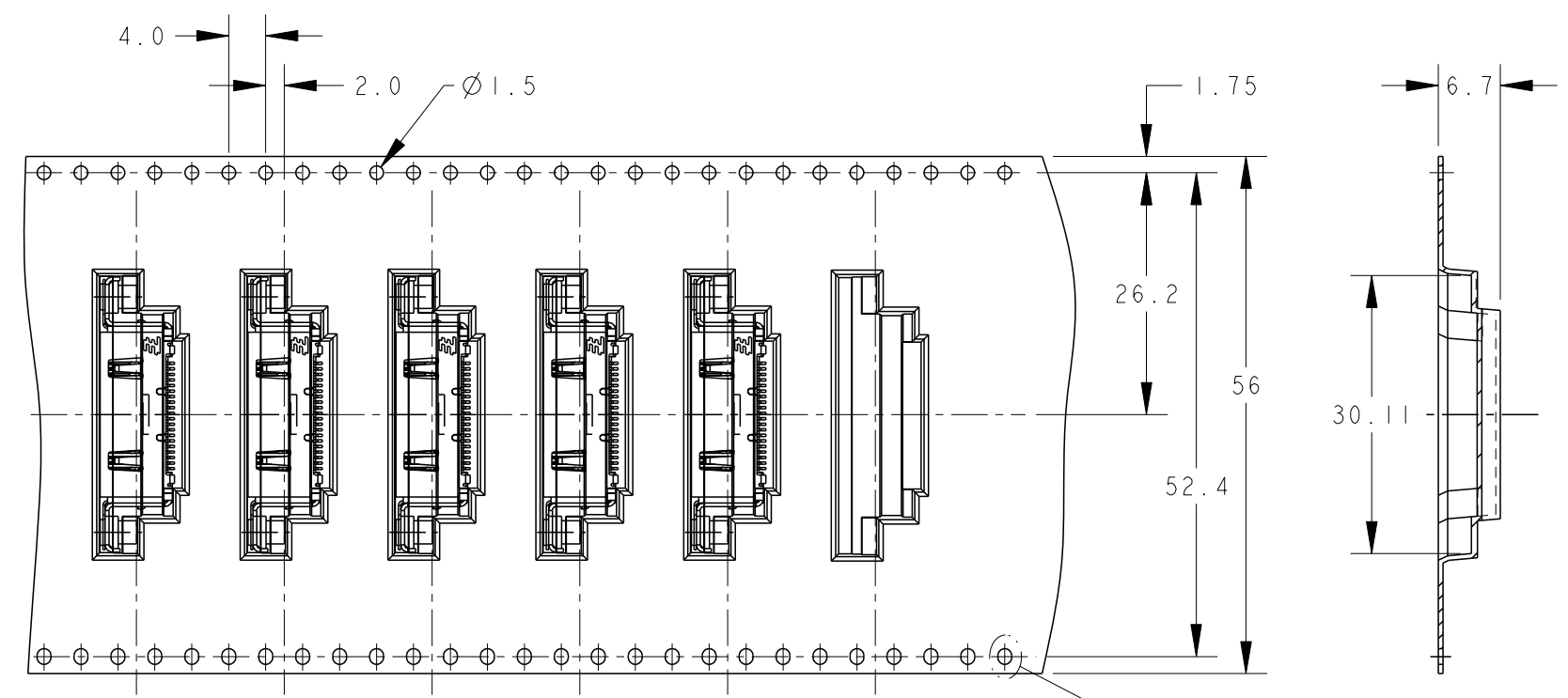
3

2

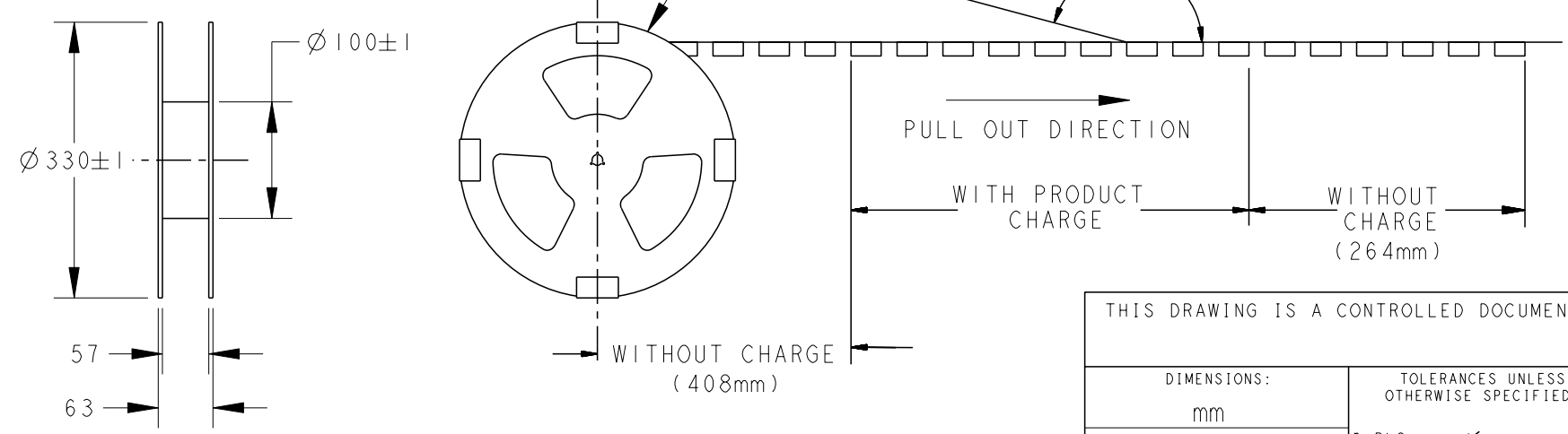
1

THIS DRAWING IS UNPUBLISHED. RELEASED FOR PUBLICATION 20
 © COPYRIGHT 20 BY - ALL RIGHTS RESERVED.

LOC		DIST		REVISIONS				
P	LTR	DESCRIPTION	DATE	DWN	APVD			
		SEE SHEET 1						



AROUND THE OUTER PERIPHERY IN A TURN.
 WEEDING THE COVER TAPE
 PEELING ANGLE: 165°~180°



7. PACKING MATERIAL:
 CARRY TAPE: PS; COLOR:BLACK.
 COVER TAPE: PET; COLOR: CLEAR.
 PEELING STRENGTH OF COVER TAPE: 0.2N~1.2N

2129260-1	600	3	1800
P/N	PCS/TAPE	REELS/CARTON	TOTAL QUANTITY

THIS DRAWING IS A CONTROLLED DOCUMENT.

DIMENSIONS: mm	TOLERANCES UNLESS OTHERWISE SPECIFIED:	DWN	-
0 PLC	±	CHK	-
1 PLC	±	APVD	-
2 PLC	± ±0.5	PRODUCT SPEC	-
3 PLC	± ±3°	APPLICATION SPEC	-
4 PLC	±	WEIGHT	-
ANGLES	±	<p>STE TE Connectivity</p> <p>NAME: RECEPTACLE ASSY, 0.6mm PITCH CHAMP DOCKING CONNECTOR, 40POS</p>	
FINISH	-	SIZE	A3
MATERIAL	-	CAGE CODE	00779
		DRAWING NO	C-2129260
		RESTRICTED TO	-

CUSTOMER DRAWING SCALE 5:1 SHEET 5 OF 6 REV B

THIS DRAWING IS UNPUBLISHED.

RELEASED FOR PUBLICATION

20

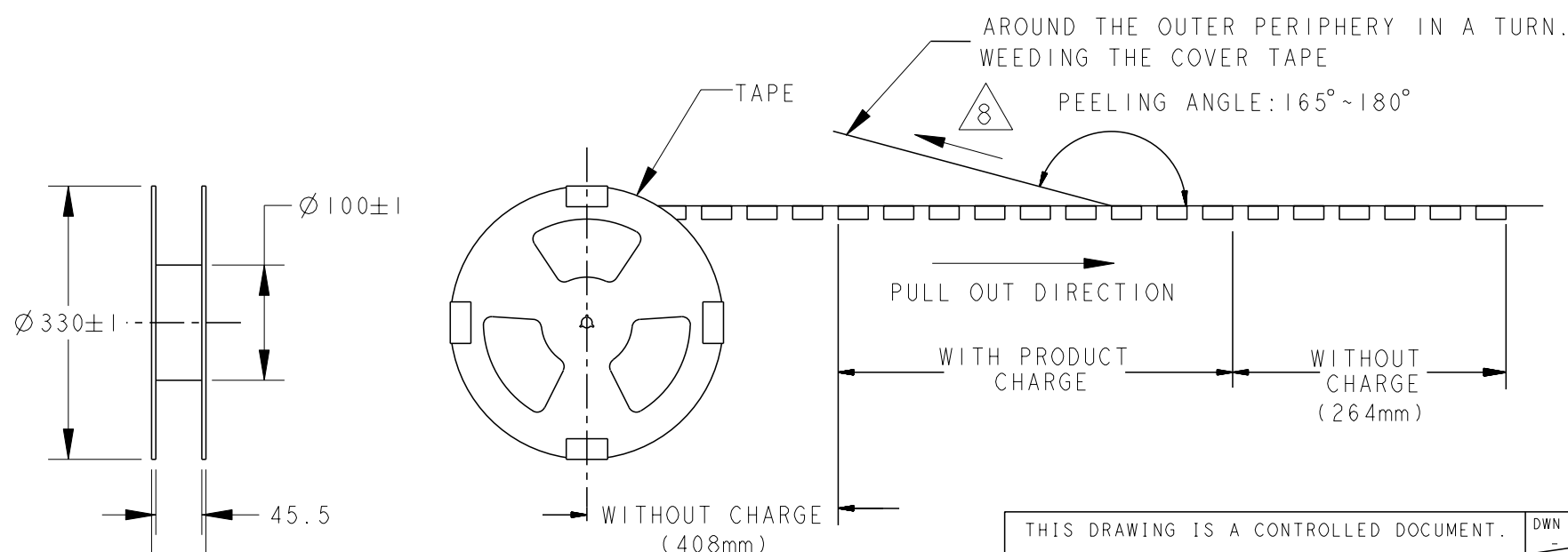
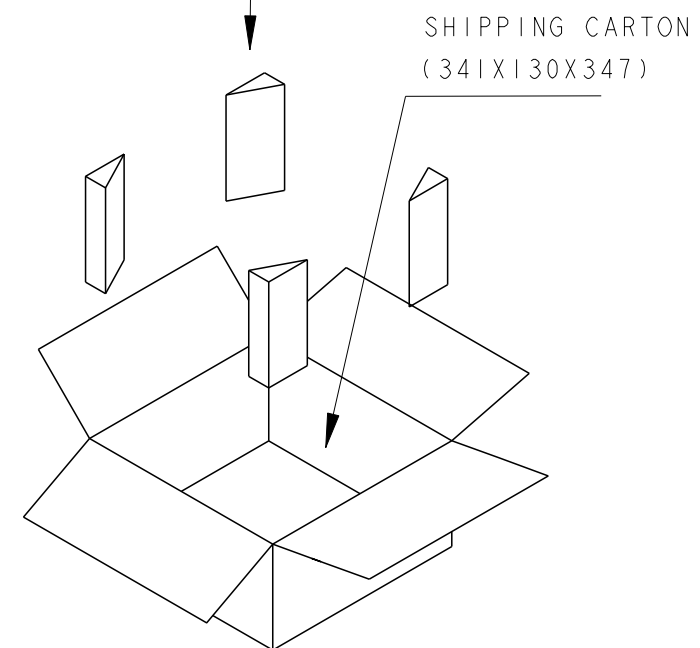
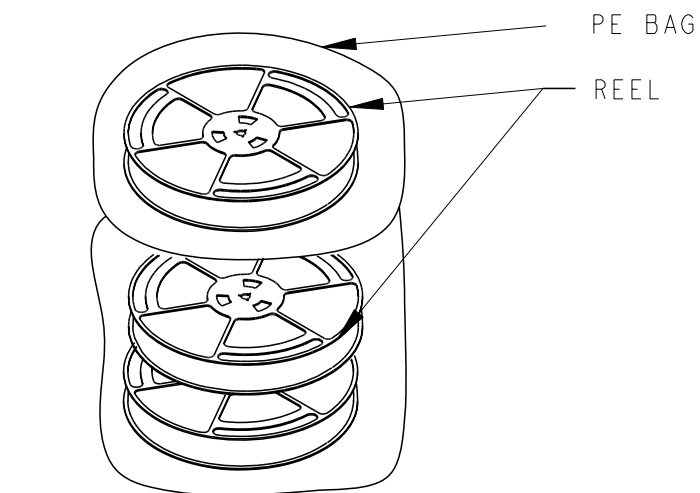
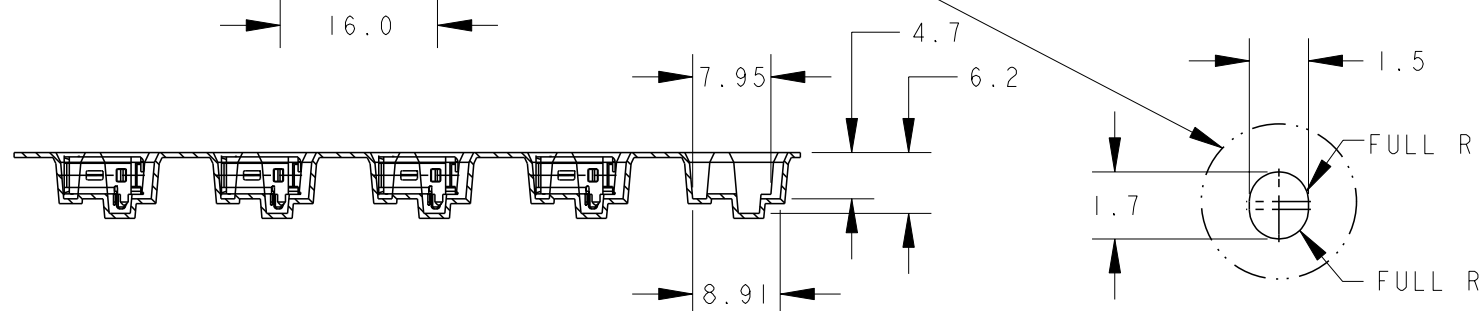
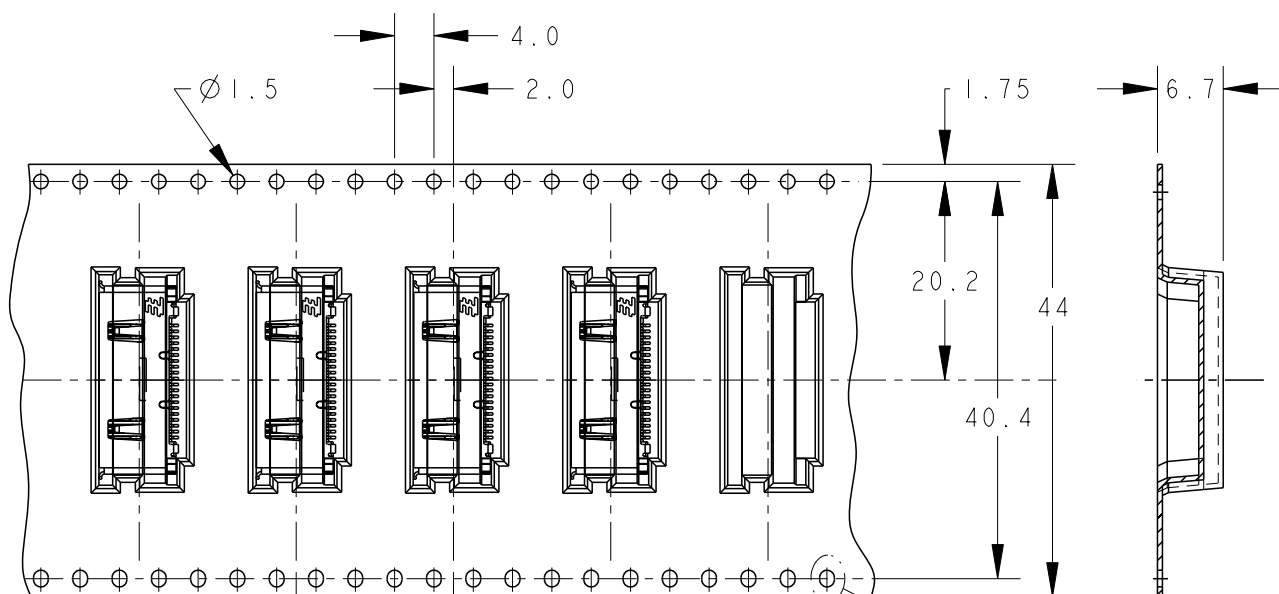
© COPYRIGHT 20 BY -

ALL RIGHTS RESERVED.

LOC DW DIST

REVISIONS

P	LTR	DESCRIPTION	DATE	DWN	APVD
		SEE SHEET 1			



P/N	PCS/TAPE	REELS/CARTON	TOTAL QUANTITY
2129260-2	600	2	1200

THIS DRAWING IS A CONTROLLED DOCUMENT.

DIMENSIONS: mm	TOLERANCES UNLESS OTHERWISE SPECIFIED:	DWN	-
0 PLC	±	CHK	-
1 PLC	±	APVD	-
2 PLC	± ±0.5	PRODUCT SPEC	-
3 PLC	± ±3°	APPLICATION SPEC	-
4 PLC	±	WEIGHT	-
ANGLES	±	<p>STE TE Connectivity</p> <p>NAME: RECEPTACLE ASSY, 0.6mm PITCH CHAMP DOCKING CONNECTOR, 40POS</p>	
FINISH	-	SIZE	A3
MATERIAL	-	CAGE CODE	00779
		DRAWING NO	C=2129260
		RESTRICTED TO	-
		SCALE	5:1
		SHEET	6 OF 6
		REV	B

CUSTOMER DRAWING