



Chipsmall Limited consists of a professional team with an average of over 10 year of expertise in the distribution of electronic components. Based in Hongkong, we have already established firm and mutual-benefit business relationships with customers from,Europe,America and south Asia,supplying obsolete and hard-to-find components to meet their specific needs.

With the principle of “Quality Parts,Customers Priority,Honest Operation,and Considerate Service”,our business mainly focus on the distribution of electronic components. Line cards we deal with include Microchip,ALPS,ROHM,Xilinx,Pulse,ON,Everlight and Freescale. Main products comprise IC,Modules,Potentiometer,IC Socket,Relay,Connector.Our parts cover such applications as commercial,industrial, and automotives areas.

We are looking forward to setting up business relationship with you and hope to provide you with the best service and solution. Let us make a better world for our industry!



## Contact us

Tel: +86-755-8981 8866 Fax: +86-755-8427 6832

Email & Skype: info@chipsmall.com Web: www.chipsmall.com

Address: A1208, Overseas Decoration Building, #122 Zhenhua RD., Futian, Shenzhen, China



LOC  
DW

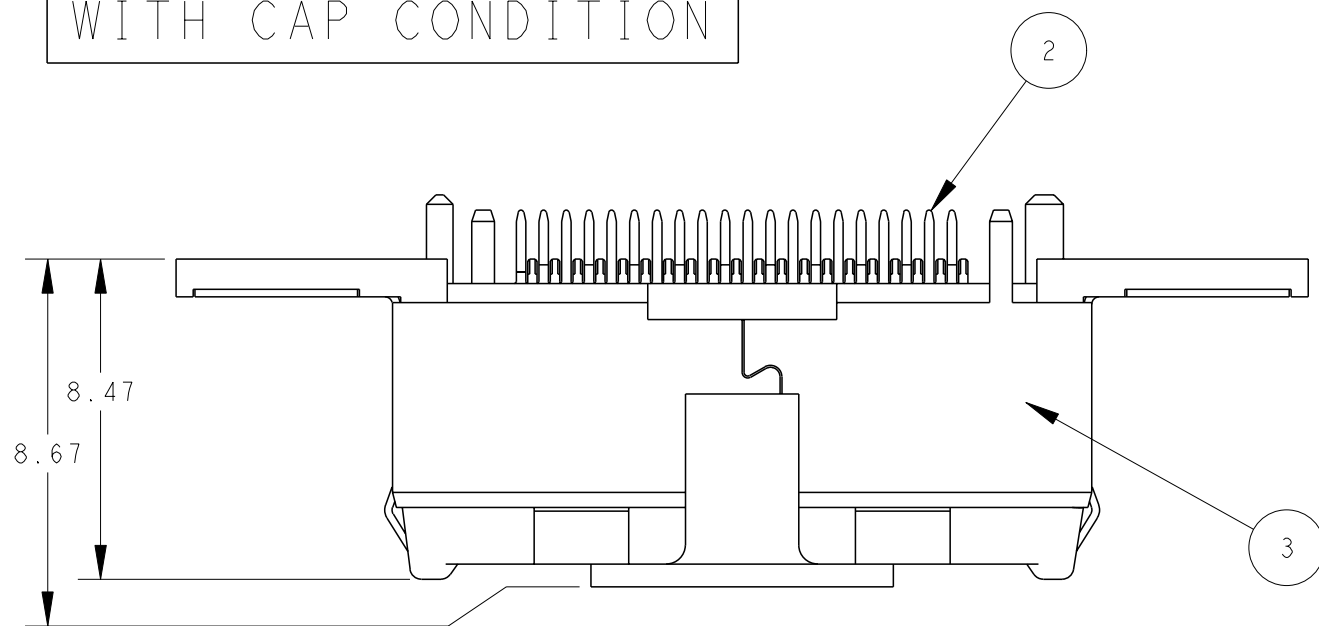
DIST

REVISIONS

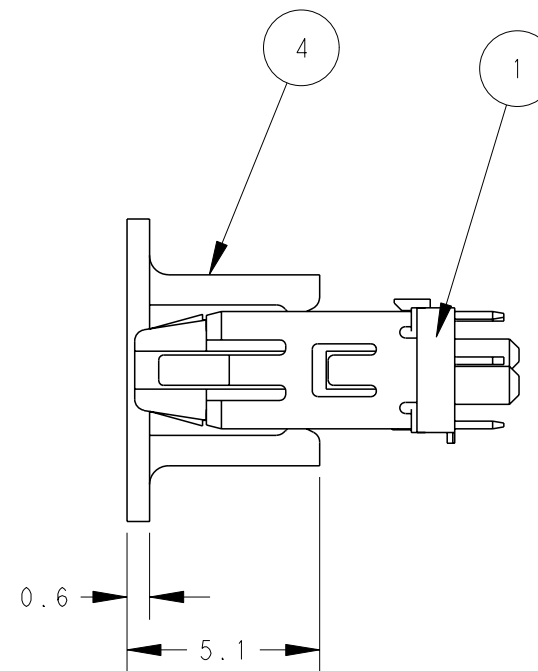
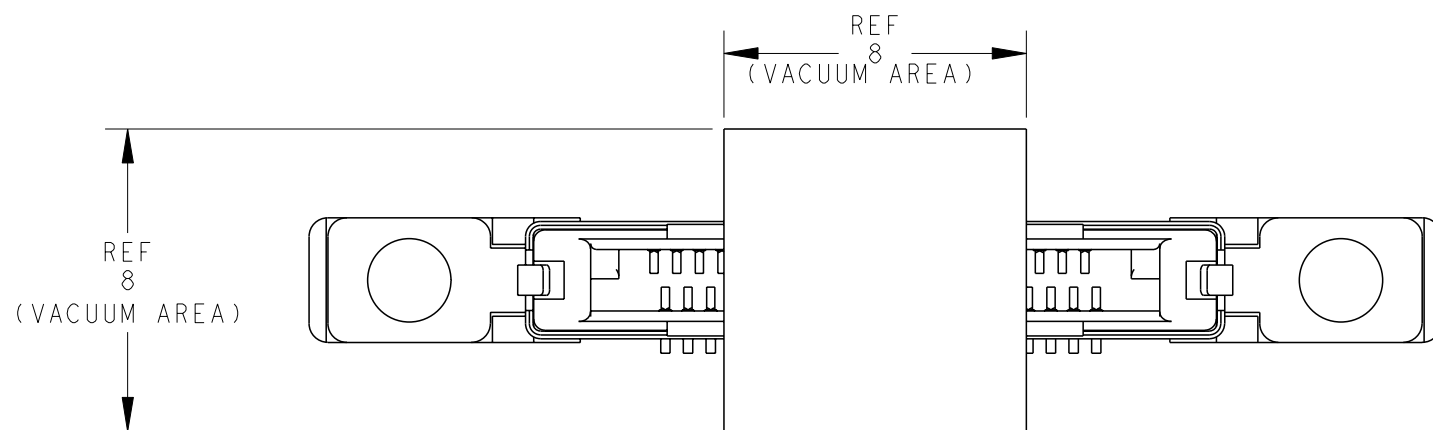
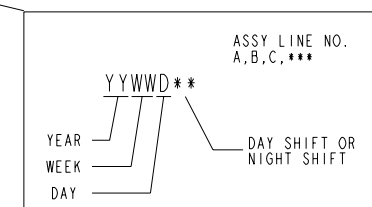
P	LTR	DESCRIPTION	DATE	DWN	APVD
	B	REVISED (ECR-11-013643)	30JUN2011	T.K	H.K

WITH CAP CONDITION

2129261-1; AS SHOWN



- ① MATERIAL: HOUSING: THERMO-PLASTIC(UL94V-0, BLACK).  
CONTACT: COPPER ALLOY.  
SHELL: STAINLESS STEEL.  
CAP: THERMO-PLASTIC(UL94V-0, BLACK).
- ② FINISH:  
CONTACT: ALL OVER 2um MIN. Ni UNDER PLATING.  
0.38um MIN. Au PLATING ON CONTACT AREA.  
1~3um Tin PLATING ON TINE AREA.  
SHELL: ALL OVER 1.3um MIN. Ni UNDER PLATING.
- 3. LOW HALOGEN SPECIFICATION  
CHLORINE(Cl) : 900 ppm MAX.  
BROMINE(Br) : 900 ppm MAX.
- ④ DATE CODE



Q'TY	NAME	ITEM
1	CAP	④
1	SHELL	③
40	CONTACT	②
1	HOUSING	①

THIS DRAWING IS A CONTROLLED DOCUMENT.		DWN T.KUO 21MAR2011	<b>TE Connectivity</b>																	
DIMENSIONS: mm		CHK V.PENG 21MAR2011																		
TOLERANCES UNLESS OTHERWISE SPECIFIED:		APVD H.KODAMA 21MAR2011																		
<table border="0"> <tr><td>0 PLC</td><td>±</td><td>±0.25</td></tr> <tr><td>1 PLC</td><td>±</td><td>±0.25</td></tr> <tr><td>2 PLC</td><td>±</td><td>±3°</td></tr> <tr><td>3 PLC</td><td>±</td><td>±</td></tr> <tr><td>4 PLC</td><td>±</td><td>±</td></tr> <tr><td>ANGLES</td><td>±</td><td>±</td></tr> </table>		0 PLC			±	±0.25	1 PLC	±	±0.25	2 PLC	±	±3°	3 PLC	±	±	4 PLC	±	±	ANGLES	±
0 PLC	±	±0.25																		
1 PLC	±	±0.25																		
2 PLC	±	±3°																		
3 PLC	±	±																		
4 PLC	±	±																		
ANGLES	±	±																		
MATERIAL ①	FINISH ②	APPLICATION SPEC -	NAME PLUG ASSY, 0.6mm PITCH CHAMP DOCKING CONNECTOR, 40POS	RESTRICTED TO																
		WEIGHT 1.14	SIZE A3	CAGE CODE 00779																
		CUSTOMER DRAWING	DRAWING NO C=2129261	SCALE 5:1																
			SHEET 1	OF 5																
			REV B																	

4

3

2

1

THIS DRAWING IS UNPUBLISHED.

RELEASED FOR PUBLICATION

20

© COPYRIGHT 20 BY -

ALL RIGHTS RESERVED.

LOC  
DW

DIST

REVISIONS

P

LTR

DESCRIPTION

DATE

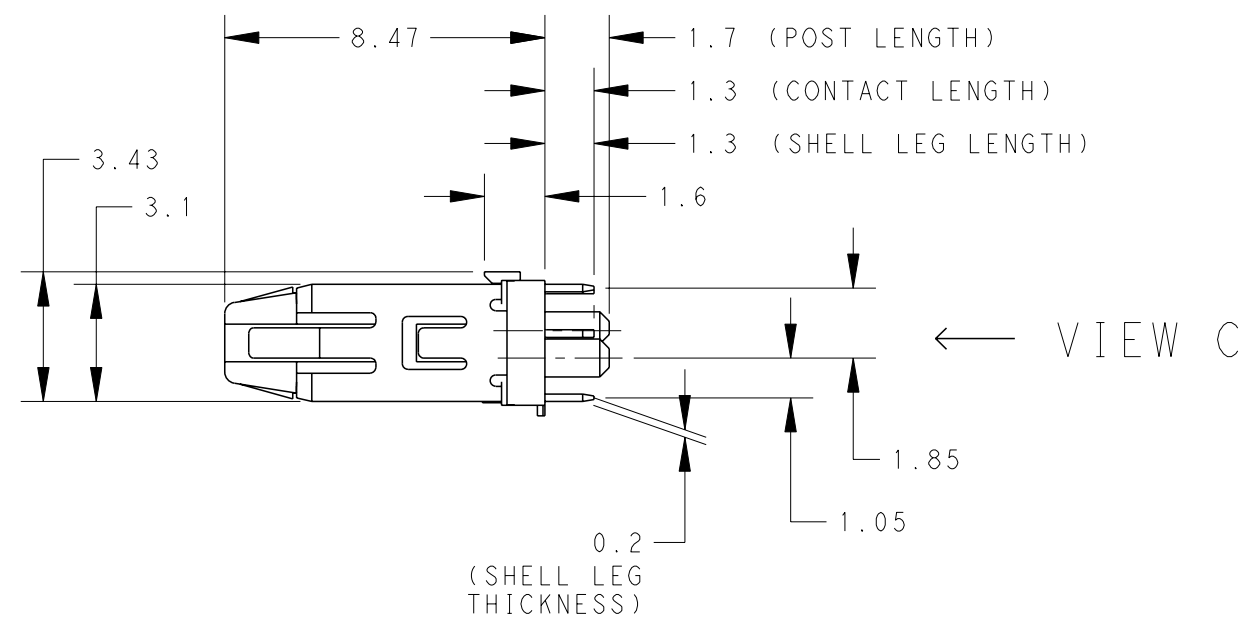
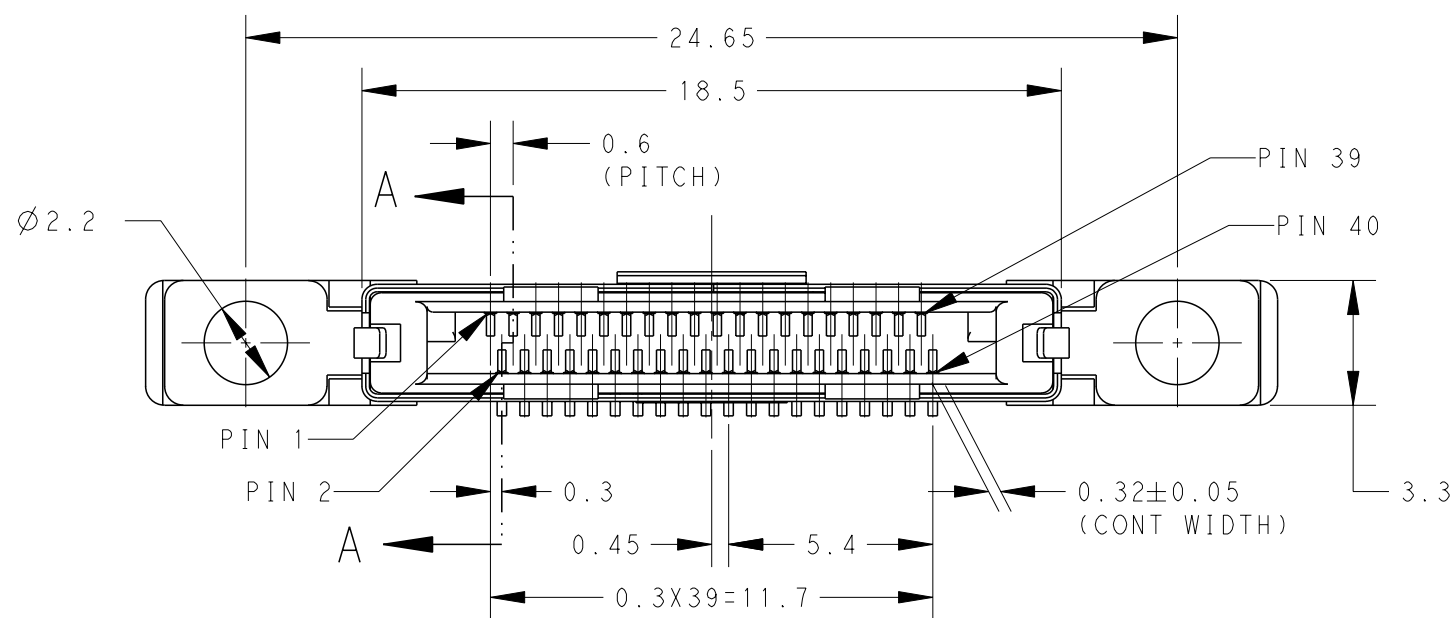
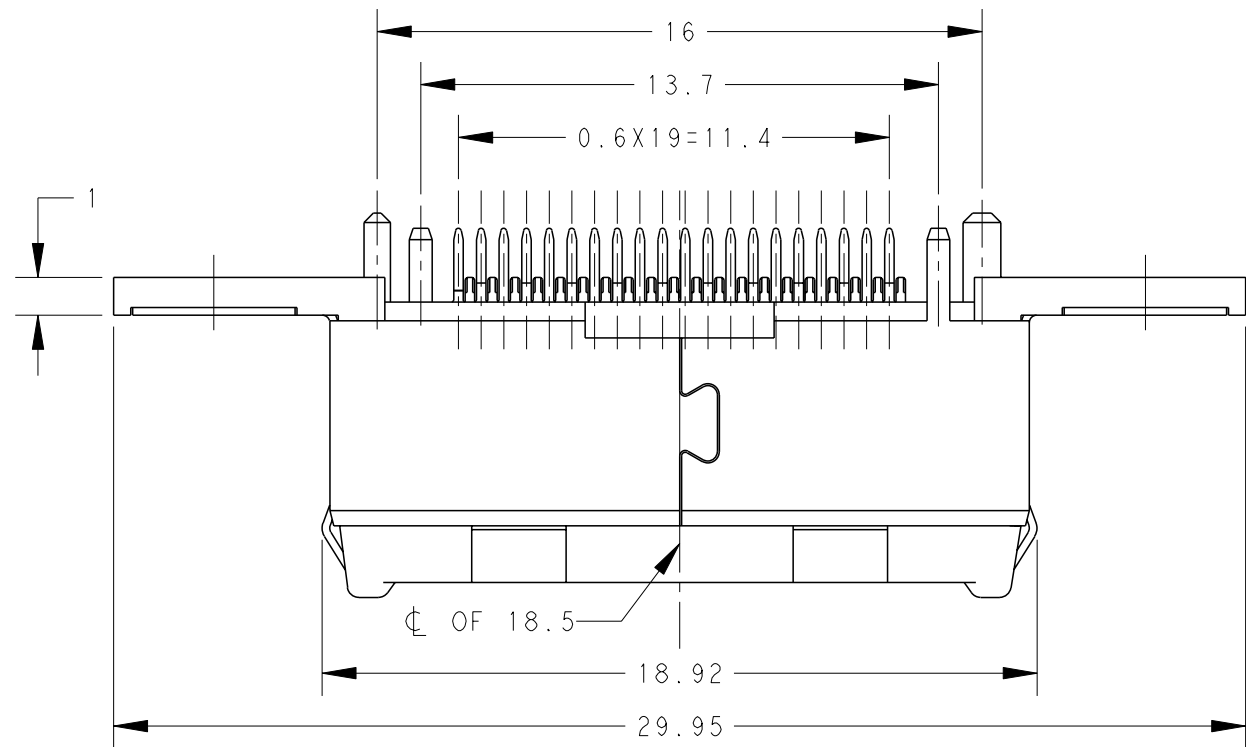
DWN

APVD

SEE SHEET 1

2129261-1; AS SHOWN

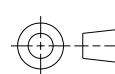
W/O CAP CONDITION



VIEW B

THIS DRAWING IS A CONTROLLED DOCUMENT.

DIMENSIONS:  
mm



TOLERANCES UNLESS OTHERWISE SPECIFIED:

0 PLC	±	±0.25
1 PLC	±	±0.25
2 PLC	±	±3°
3 PLC	±	±3°
4 PLC	±	±3°
ANGLES	±	±
FINISH	-	-

MATERIAL

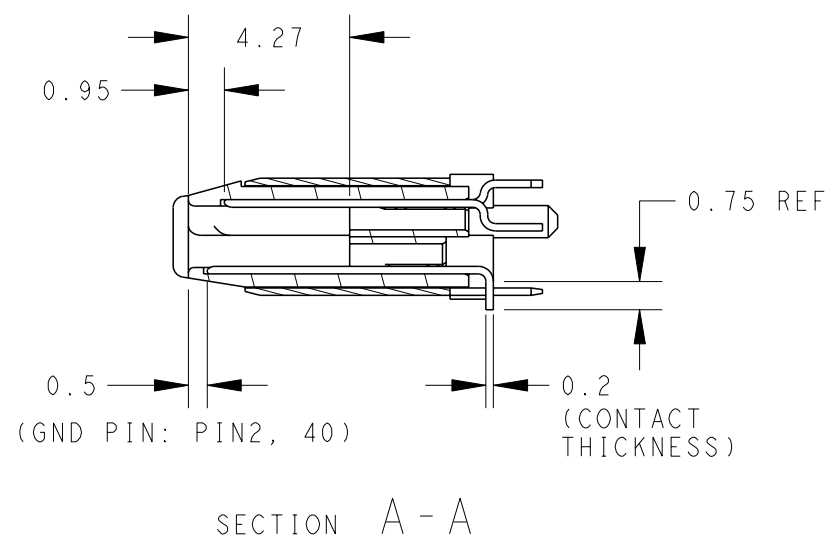
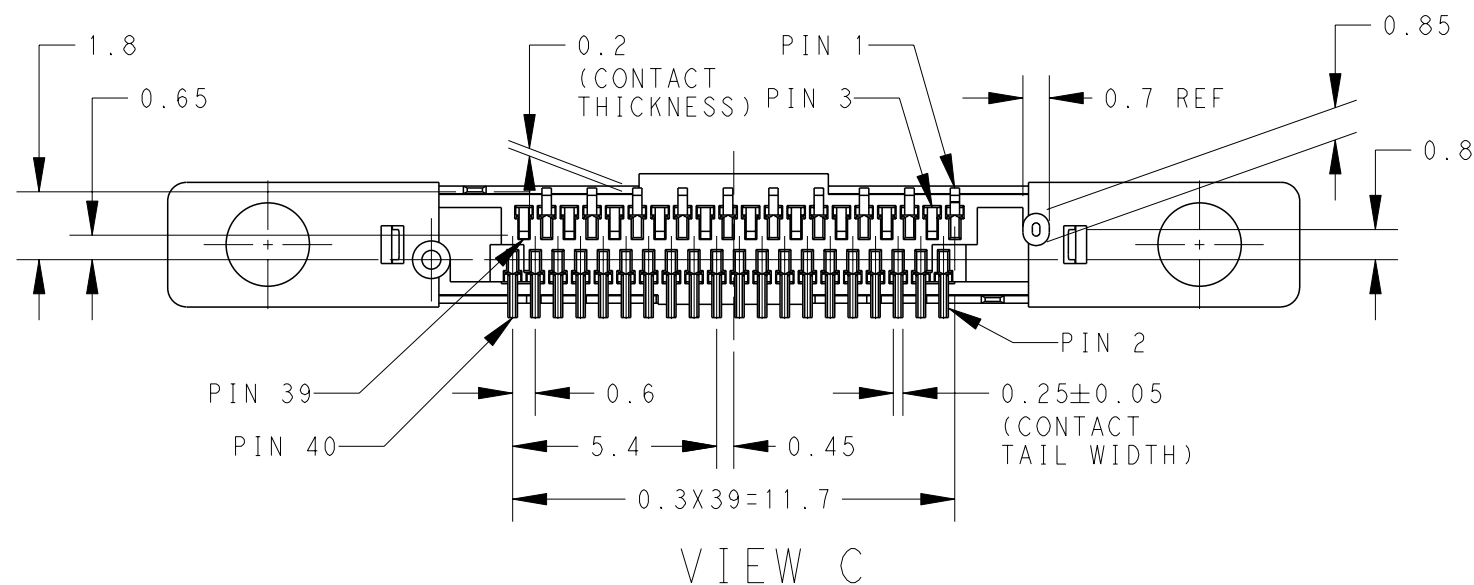
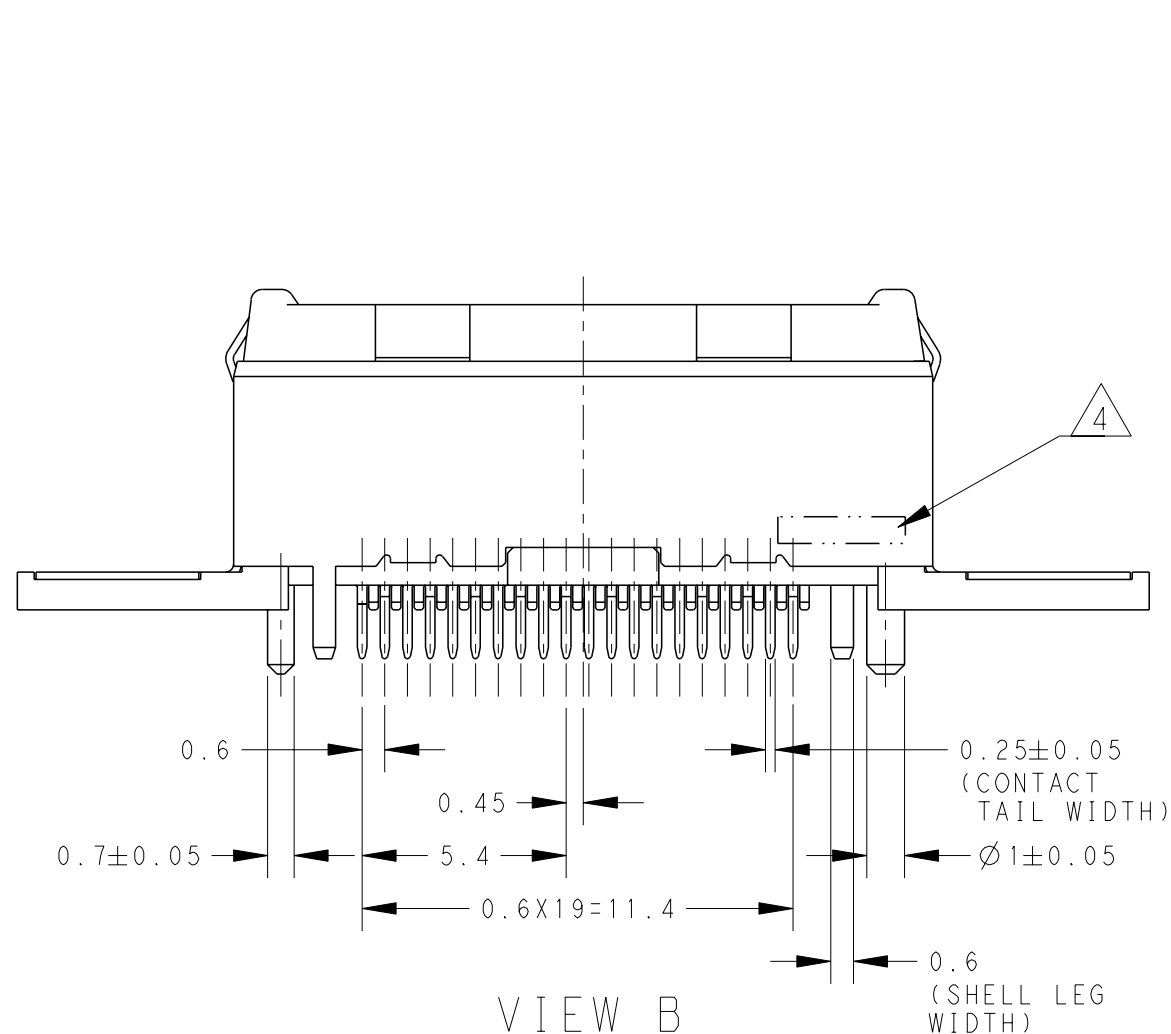
DWN	-
CHK	-
APVD	-
PRODUCT SPEC	-
APPLICATION SPEC	-
WEIGHT	0.97g
CUSTOMER DRAWING	-


**STE** TE Connectivity

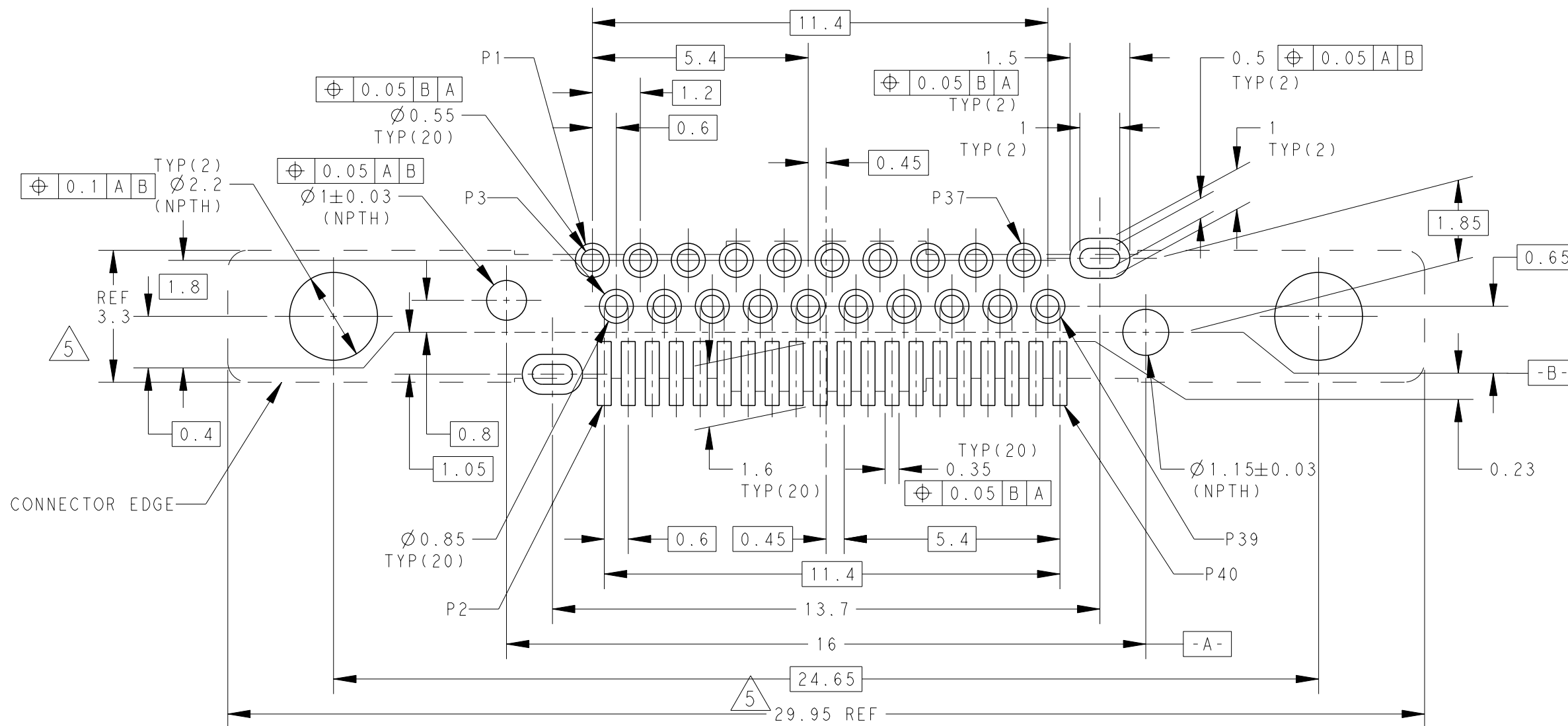
NAME  
PLUG ASSY, 0.6mm PITCH  
CHAMP DOCKING CONNECTOR, 40POS

SIZE	CAGE CODE	DRAWING NO	RESTRICTED TO
A3	00779	C=2129261	-
SCALE	SHEET	OF	REV
5:1	2	5	B

P	LTR	DESCRIPTION	DATE	DWN	APVD
		SEE SHEET 1			



THIS DRAWING IS A CONTROLLED DOCUMENT.		DWN	 TE Connectivity			
DIMENSIONS: mm		CHK				
TOLERANCES UNLESS OTHERWISE SPECIFIED: 0 PLC ± ± 1 PLC ± ± ±0.25 2 PLC ± ± ±3° 3 PLC ± ± 4 PLC ± ± ANGLES ± ± FINISH -		APVD				
MATERIAL -		PRODUCT SPEC				
		APPLICATION SPEC	NAME PLUG ASSY, 0.6mm PITCH CHAMP DOCKING CONNECTOR, 40POS			
		WEIGHT	SIZE	CAGE CODE	DRAWING NO	RESTRICTED TO
		CUSTOMER DRAWING	A3	00779	C-2129261	-
			SCALE	SHEET	OF	REV
			5:1	3	5	B

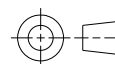


RECOMMENDED P.C. BOARD LAYOUT (TOP VIEW)

△ 5 CONNECTOR OUTLINE

THIS DRAWING IS A CONTROLLED DOCUMENT.

DIMENSIONS:  
mm



TOLERANCES UNLESS OTHERWISE SPECIFIED:

- 0 PLC ± ±0.05
- 1 PLC ± ±0.05
- 2 PLC ± ±3°
- 3 PLC ± ±
- 4 PLC ± ±
- ANGLES ± ±
- FINISH -

MATERIAL -

DWN	-
CHK	-
APVD	-
PRODUCT SPEC	-
APPLICATION SPEC	-
WEIGHT	-



TE Connectivity

NAME  
PLUG ASSY, 0.6mm PITCH  
CHAMP DOCKING CONNECTOR, 40POS

SIZE	CAGE CODE	DRAWING NO	RESTRICTED TO
A3	00779	C=2129261	-

CUSTOMER DRAWING

SCALE 8:1

SHEET 4 OF 5

REV B

4

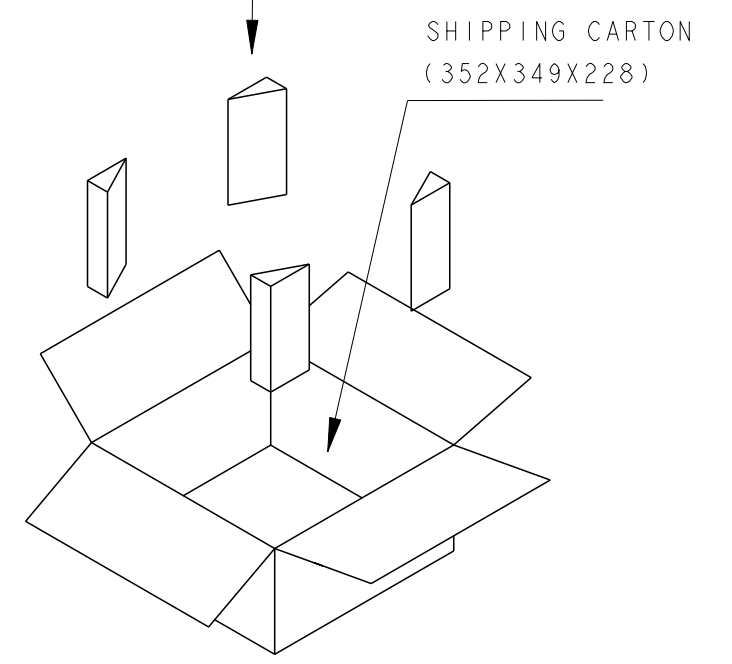
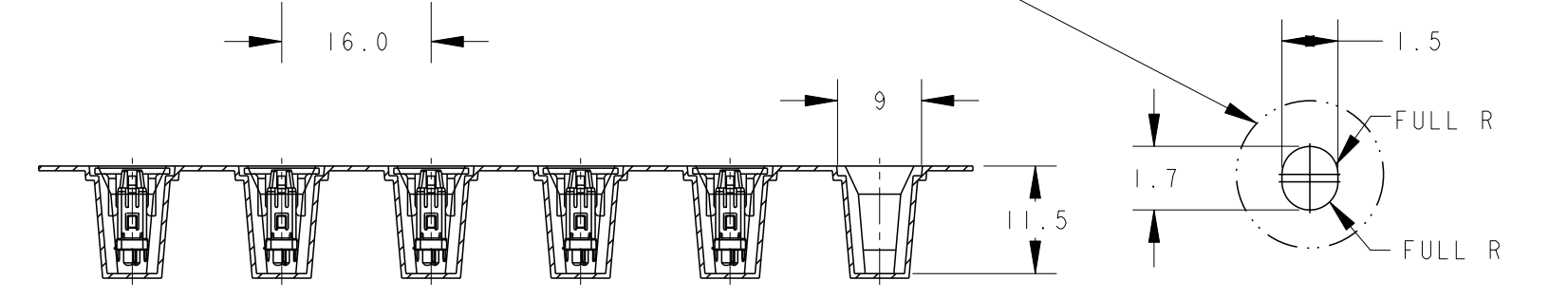
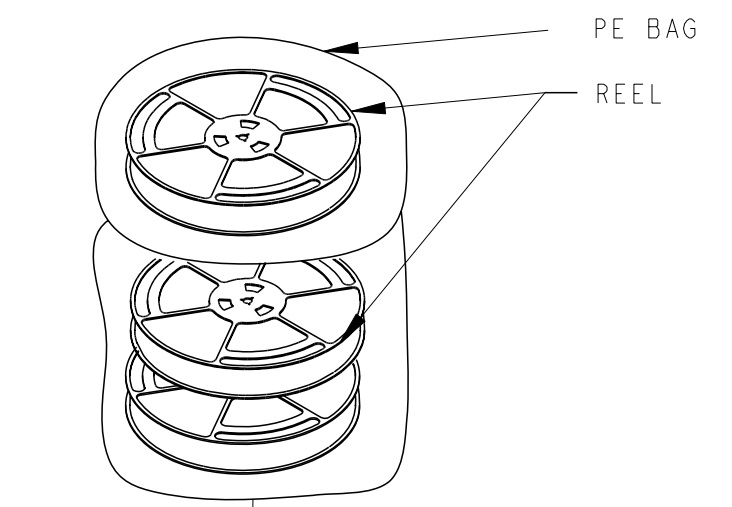
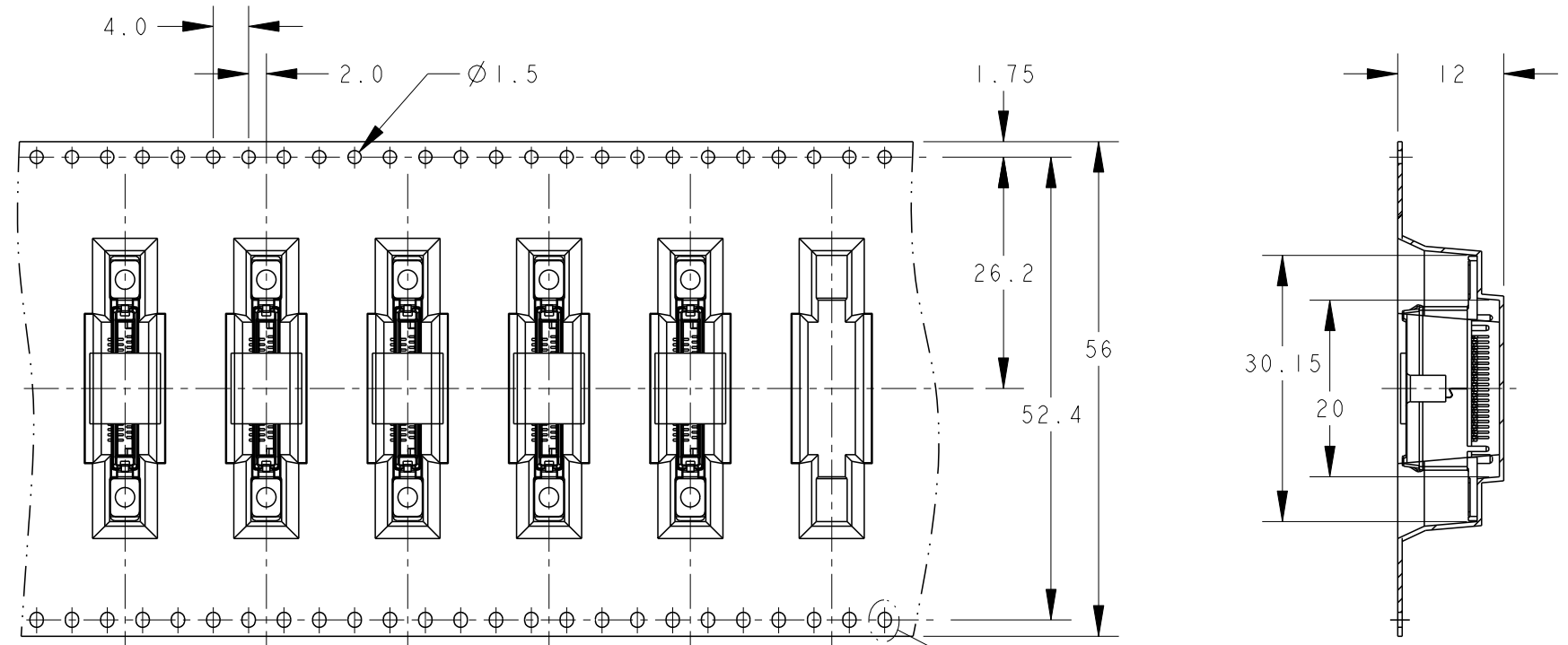
3

2

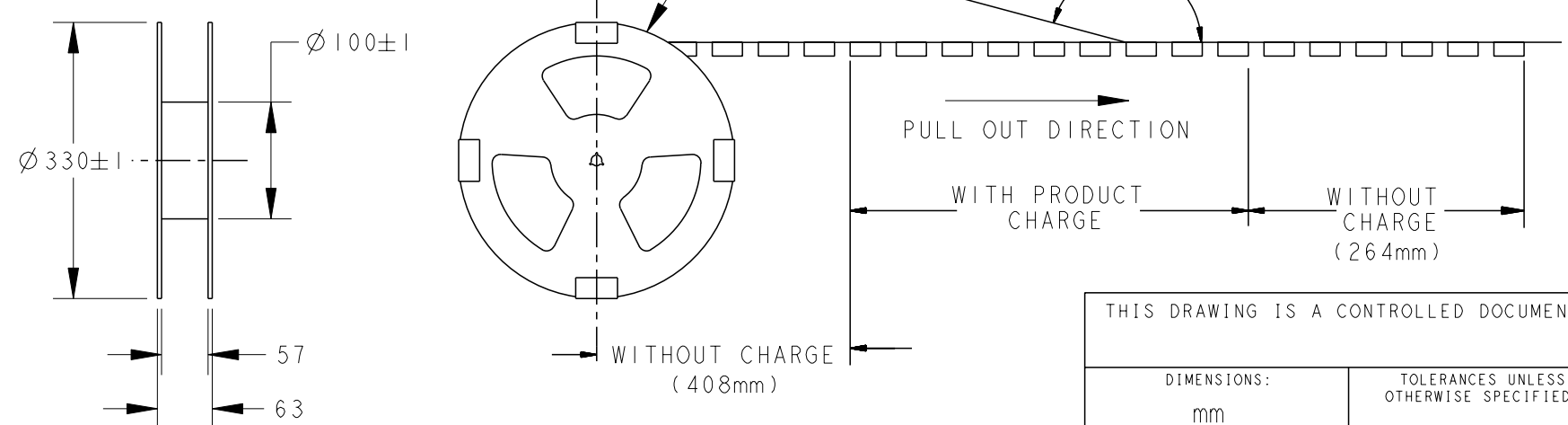
1

THIS DRAWING IS UNPUBLISHED. RELEASED FOR PUBLICATION 20  
 © COPYRIGHT 20 BY - ALL RIGHTS RESERVED.

LOC	DIST	REVISIONS					
DW	-	P	LTR	DESCRIPTION	DATE	DWN	APVD
				SEE SHEET 1			



AROUND THE OUTER PERIPHERY IN A TURN.  
 WEEDING THE COVER TAPE  
 PEELING ANGLE: 165°~180°



6. PACKING MATERIAL:  
 CARRY TAPE: PS; COLOR:BLACK.  
 COVER TAPE: PET; COLOR: CLEAR.  
 PEELING STRENGTH OF COVER TAPE: 0.2N~1.2N

300	3	900
PCS/ TAPE	REELS/ CARTON	TOTAL QUANTITY

THIS DRAWING IS A CONTROLLED DOCUMENT.		DWN	-	<b>STE</b> TE Connectivity
DIMENSIONS: mm		CHK	-	
TOLERANCES UNLESS OTHERWISE SPECIFIED:		APVD	-	
0 PLC ± 1 PLC ± ±0.5 2 PLC ± ±3° 3 PLC ± 4 PLC ± ANGLES ± FINISH -		PRODUCT SPEC	-	
MATERIAL	-	APPLICATION SPEC	-	NAME PLUG ASSY, 0.6mm PITCH CHAMP DOCKING CONNECTOR, 40POS
		WEIGHT	-	SIZE A3
		CUSTOMER DRAWING	-	CAGE CODE 300779
				DRAWING NO C=2129261
				RESTRICTED TO
				SCALE 5:1 SHEET 5 OF 5 REV B