



Chipsmall Limited consists of a professional team with an average of over 10 year of expertise in the distribution of electronic components. Based in Hongkong, we have already established firm and mutual-benefit business relationships with customers from,Europe,America and south Asia,supplying obsolete and hard-to-find components to meet their specific needs.

With the principle of “Quality Parts,Customers Priority,Honest Operation,and Considerate Service”,our business mainly focus on the distribution of electronic components. Line cards we deal with include Microchip,ALPS,ROHM,Xilinx,Pulse,ON,Everlight and Freescale. Main products comprise IC,Modules,Potentiometer,IC Socket,Relay,Connector.Our parts cover such applications as commercial,industrial, and automotives areas.

We are looking forward to setting up business relationship with you and hope to provide you with the best service and solution. Let us make a better world for our industry!



Contact us

Tel: +86-755-8981 8866 Fax: +86-755-8427 6832

Email & Skype: info@chipsmall.com Web: www.chipsmall.com

Address: A1208, Overseas Decoration Building, #122 Zhenhua RD., Futian, Shenzhen, China



4

3

2

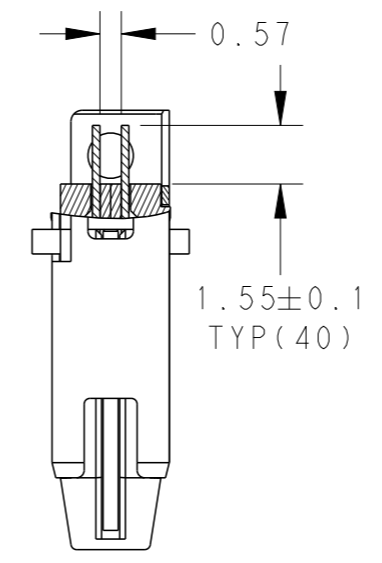
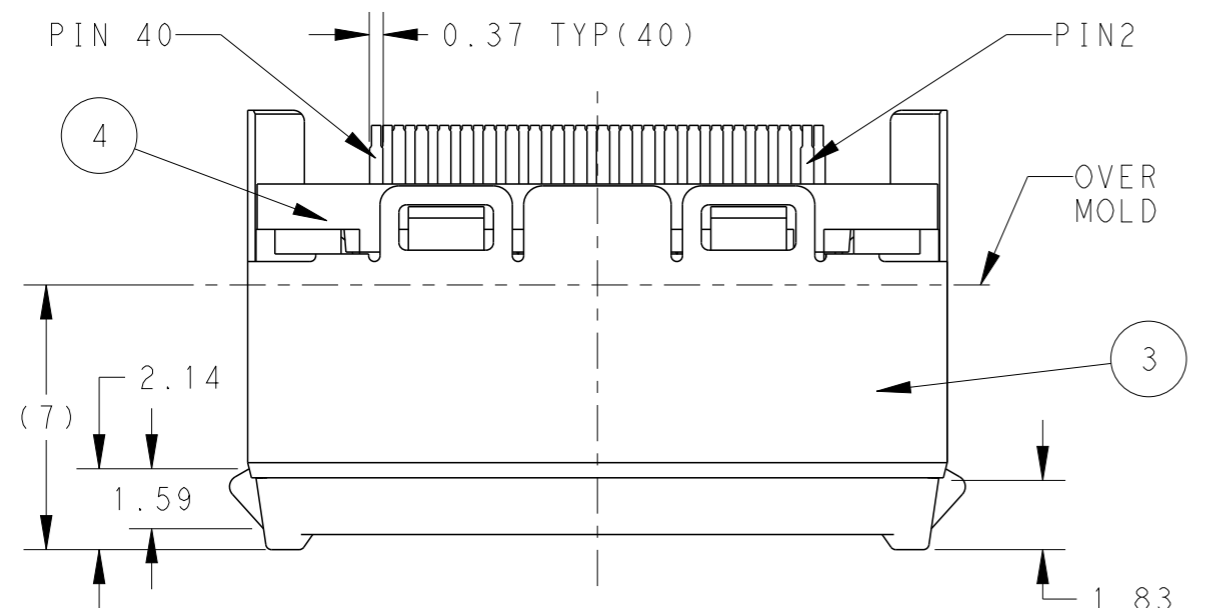
1

THIS DRAWING IS UNPUBLISHED. RELEASED FOR PUBLICATION 20
© COPYRIGHT 20 BY TYCO ELECTRONICS CORPORATION. ALL INTERNATIONAL RIGHTS RESERVED.

LOC DW DIST

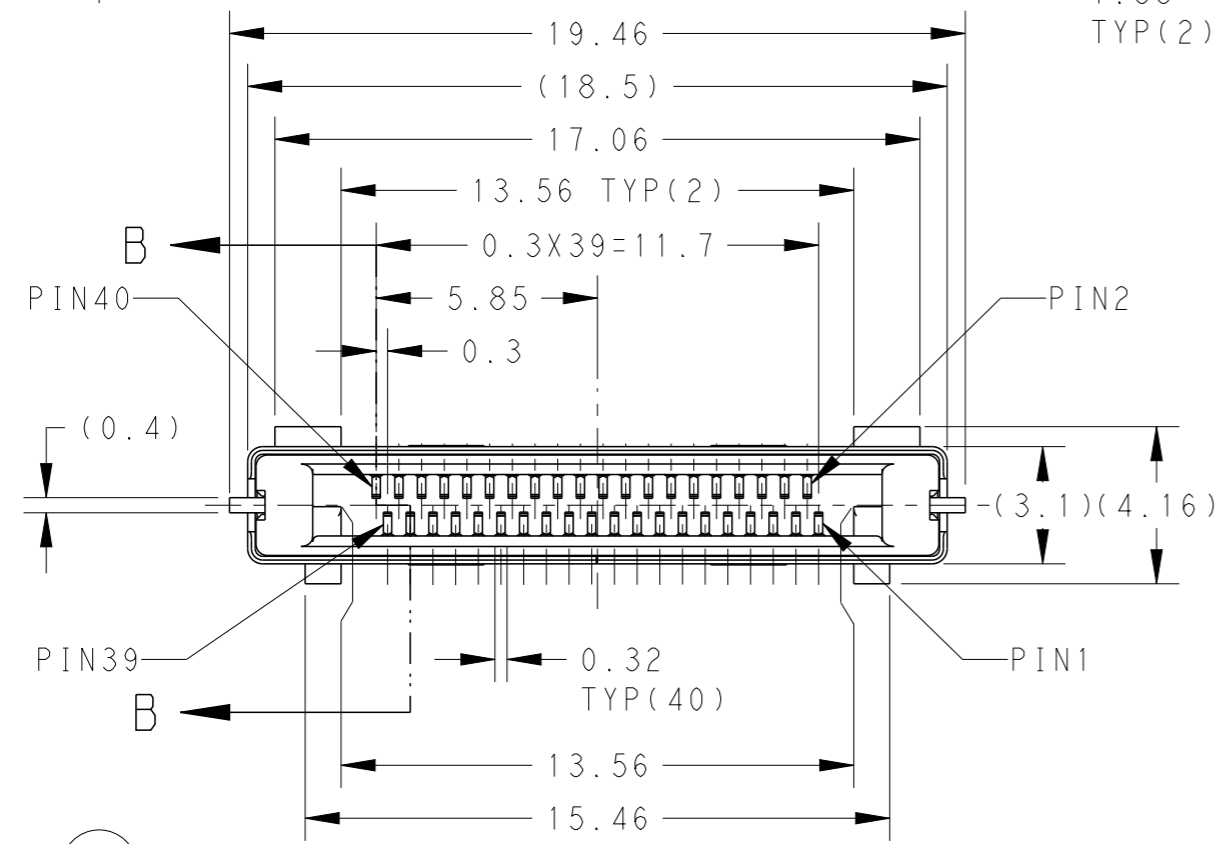
REVISIONS					
P	LTR	DESCRIPTION	DATE	DWN	APVD
	A	RELEASED	23FEB2011	S. Y	H. K
	A3	REVISED (ECR-11-016286)	21JUN2011	S. Y	H. K
	A5	REVISED (ECR-12-003398)	22FEB2012	S. Y	H. K

2129276-1: AS SHOWN



B-B

- △ MATERIAL:
 - ①. HOUSING: THERMO-PLASTIC(UL94V-0,BLACK).
 - ②. CONTACT: COPPER ALLOY.
 - ③. SHELL: STAINLESS STEEL.
 - ④. COVER: THERMO-PLASTIC(UL94V-0,BLACK).
 - ⑤. LATCH: STAINLESS STEEL.
- △ FINISH:
 - CONTACT: Ni UNDER PLATING OVERALL.
 - Au PLATING ON CONTACT AREA OVERALL.
 - Tin PLATING ON TINE AREA.
 - SHELL: Ni UNDER PLATING OVERALL.



△ DATE CODE: YY WW D **

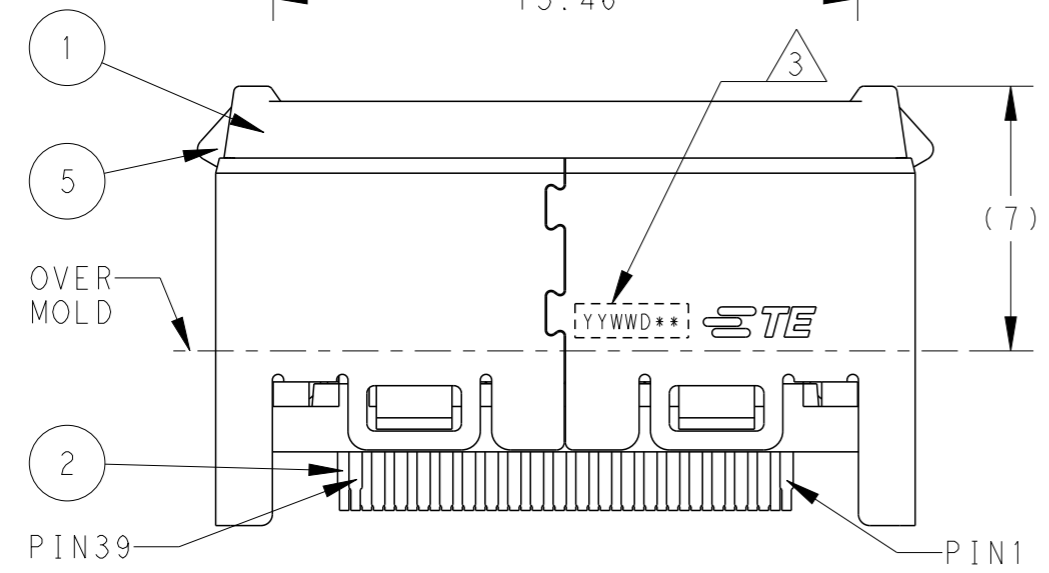
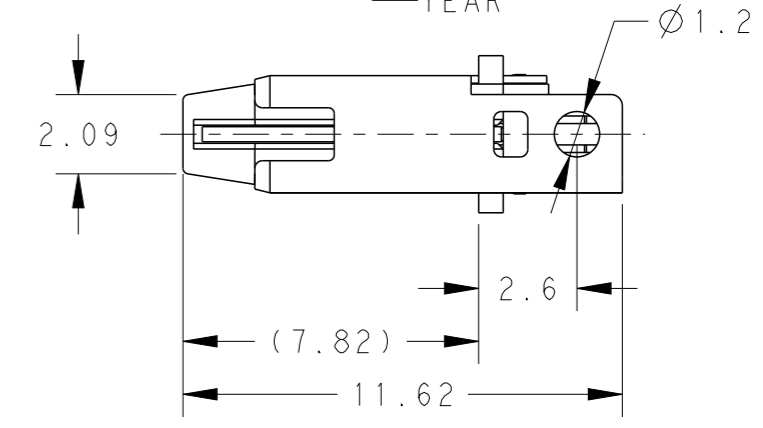
ASSY LINE NO. A,B,C,***

DAY SHIFT OR NIGHT SHIFT

DAY

WEEK

YEAR



DIMENSIONS: mm		TOLERANCES UNLESS OTHERWISE SPECIFIED:	
		0 PLC ± 1 PLC ± ±0.25 2 PLC ± ±3° 3 PLC ± 4 PLC ± ANGLES ±	
MATERIAL		FINISH	

DWN S. YANG	29-Feb-12	Tyco Electronics Corporation Taipei, Taiwan	
CHK M. CHAO	29-Feb-12	NAME	
APVD H. KODAMA	29-Feb-12	CABLE PLUG ASSY, 0.6MM PITCH CHAMP DOCKING CONNECTOR, 40 POS.	
PRODUCT SPEC	108-99033	SIZE	CAGE CODE
APPLICATION SPEC		A3	00779
WEIGHT	1.03g	DRAWING NO	C=2129276
CUSTOMER DRAWING		SCALE	SHEET
		5:1	1 OF 2
		REV	A5

THIS DRAWING IS UNPUBLISHED.

RELEASED FOR PUBLICATION

20

© COPYRIGHT 20

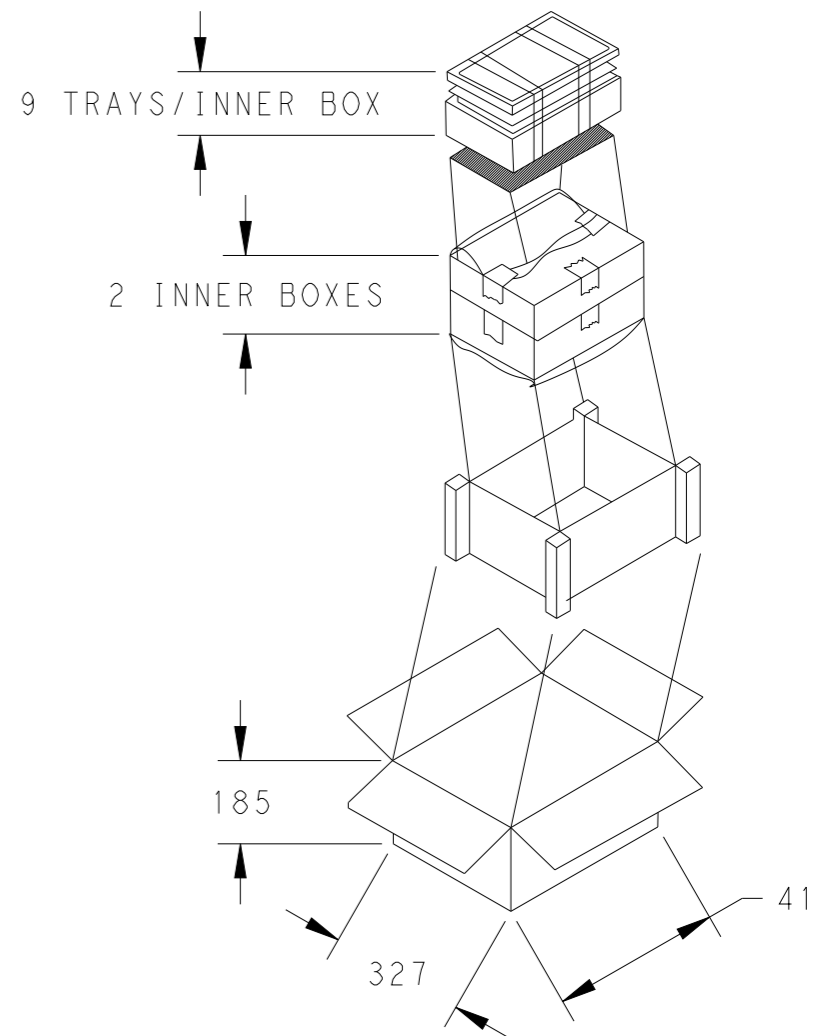
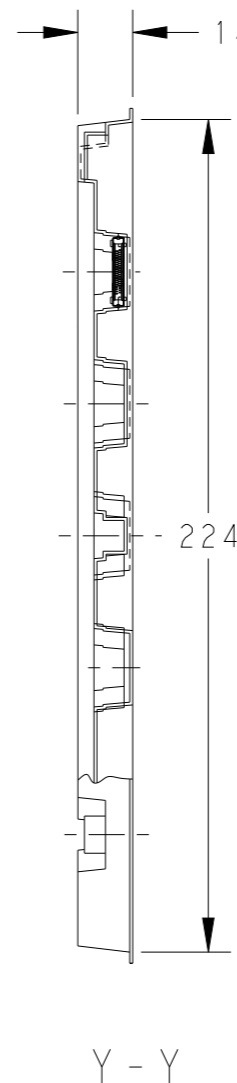
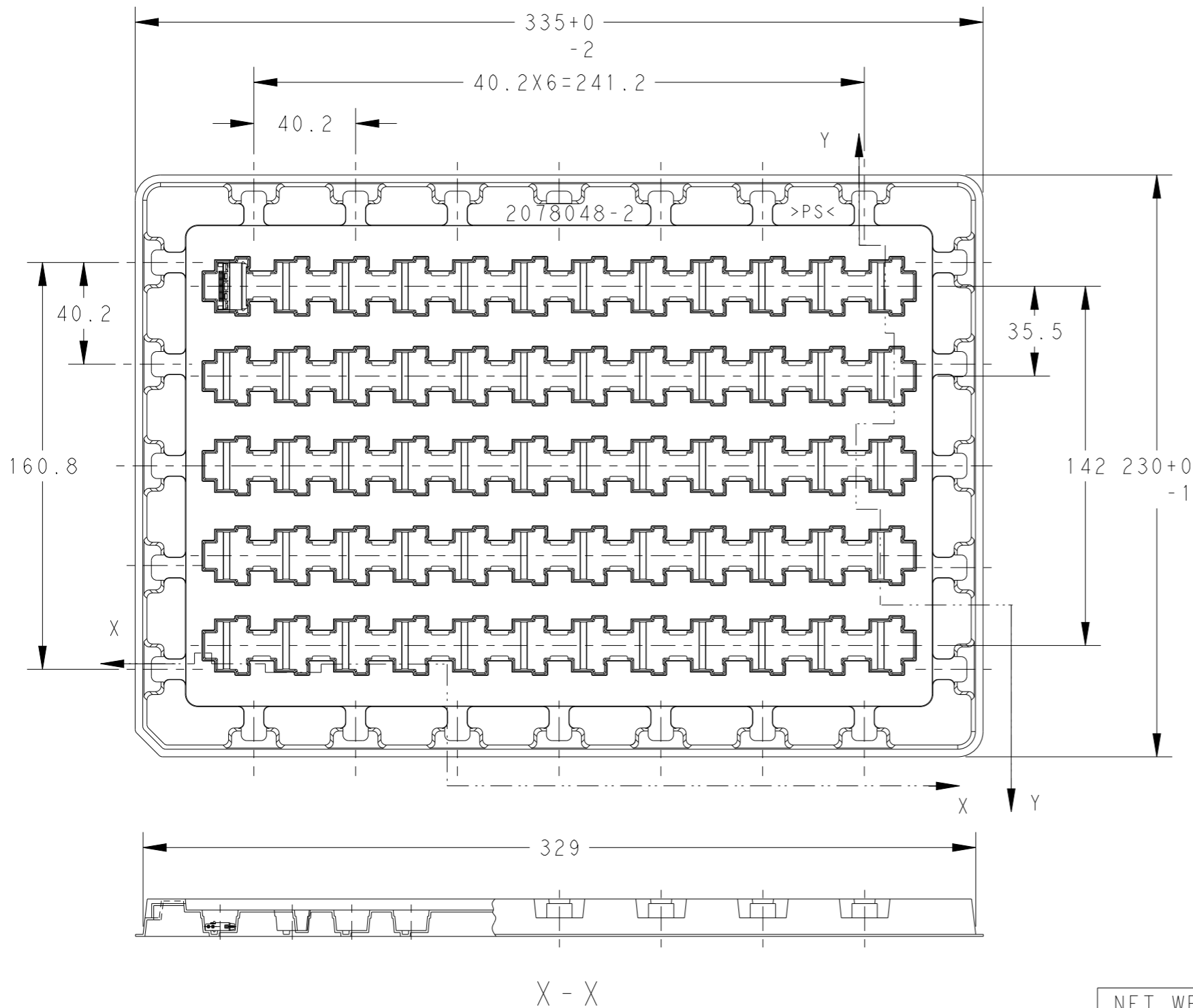
BY TYCO ELECTRONICS CORPORATION. ALL INTERNATIONAL RIGHTS RESERVED.

LOC
DW

DIST
-

REVISIONS

P	LTR	DESCRIPTION	DATE	DWN	APVD
-	-	SEE SHEET 1	-	-	-



NET WEIGHT	GROSS WEIGHT	QTY/TRAY	QTY/INNER BOX	QTY/BOX
1.11 KG	2.5 KG	60 PC	540 PC	1080 PC

THIS DRAWING IS A CONTROLLED DOCUMENT FOR TYCO ELECTRONICS CORPORATION. IT IS SUBJECT TO CHANGE AND THE CONTROLLING ENGINEERING ORGANIZATION SHOULD BE CONTACTED FOR THE LATEST REVISION.

DIMENSIONS:	
mm	

TOLERANCES UNLESS OTHERWISE SPECIFIED:	
0 PLC	±
1 PLC	±
2 PLC	±2
3 PLC	±5°
4 PLC	±
ANGLES	±
FINISH	-

MATERIAL	FINISH
-	-

DWN	-
CHK	-
APVD	-
PRODUCT SPEC	-
APPLICATION SPEC	-
WEIGHT	1.03g
CUSTOMER DRAWING	

		Tyco Electronics Corporation Taipei, Taiwan	
NAME CABLE PLUG ASSY, 0.6MM PITCH CHAMP DOCKING CONNECTOR, 40 POS.			
SIZE	CAGE CODE	DRAWING NO	RESTRICTED TO
A3	00779	C-2129276	-
SCALE		SHEET	REV
FREE		2 OF 2	A5