



Chipsmall Limited consists of a professional team with an average of over 10 year of expertise in the distribution of electronic components. Based in Hongkong, we have already established firm and mutual-benefit business relationships with customers from,Europe,America and south Asia,supplying obsolete and hard-to-find components to meet their specific needs.

With the principle of "Quality Parts,Customers Priority,Honest Operation,and Considerate Service",our business mainly focus on the distribution of electronic components. Line cards we deal with include Microchip,ALPS,ROHM,Xilinx,Pulse,ON,Everlight and Freescale. Main products comprise IC,Modules,Potentiometer,IC Socket,Relay,Connector.Our parts cover such applications as commercial,industrial, and automotives areas.

We are looking forward to setting up business relationship with you and hope to provide you with the best service and solution. Let us make a better world for our industry!



Contact us

Tel: +86-755-8981 8866 Fax: +86-755-8427 6832

Email & Skype: info@chipsmall.com Web: www.chipsmall.com

Address: A1208, Overseas Decoration Building, #122 Zhenhua RD., Futian, Shenzhen, China



4

3

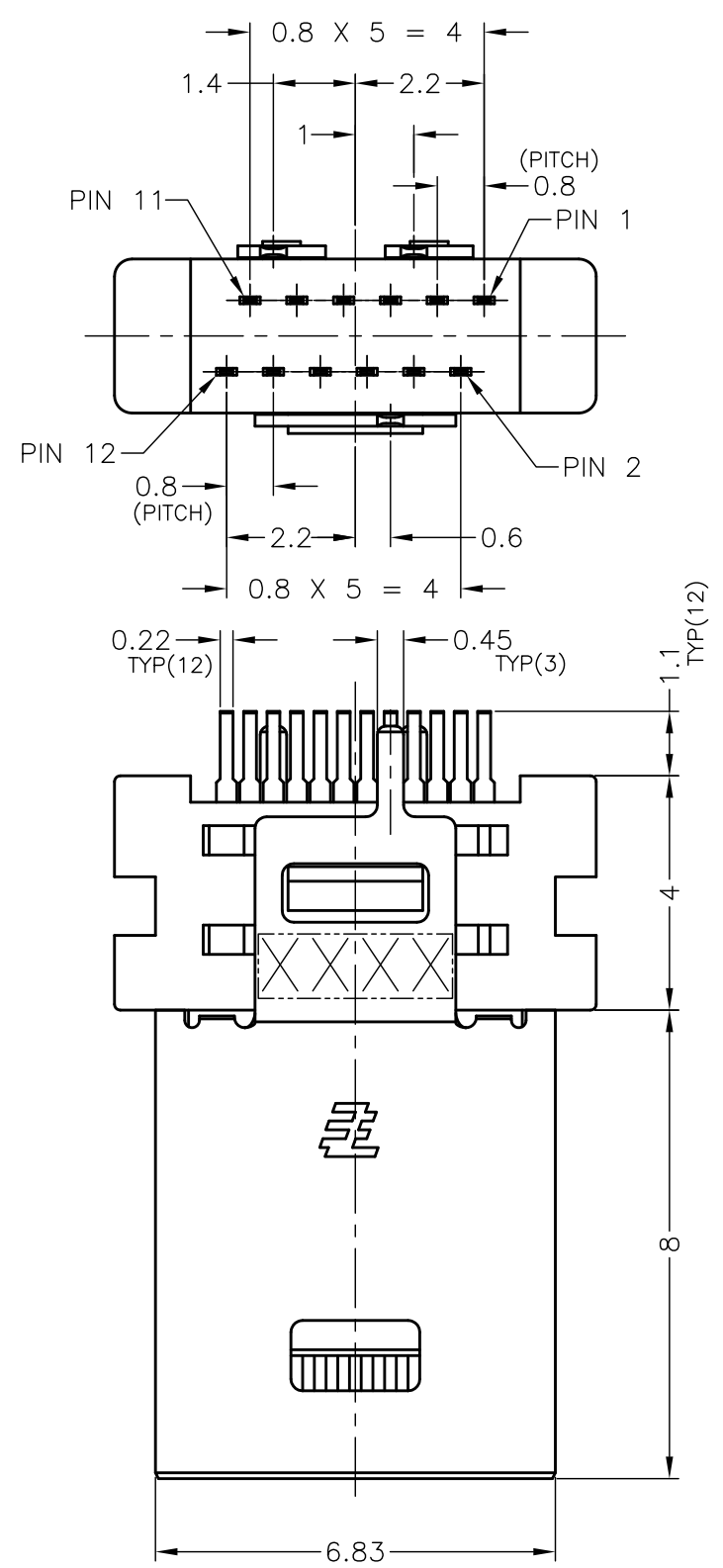
2

1

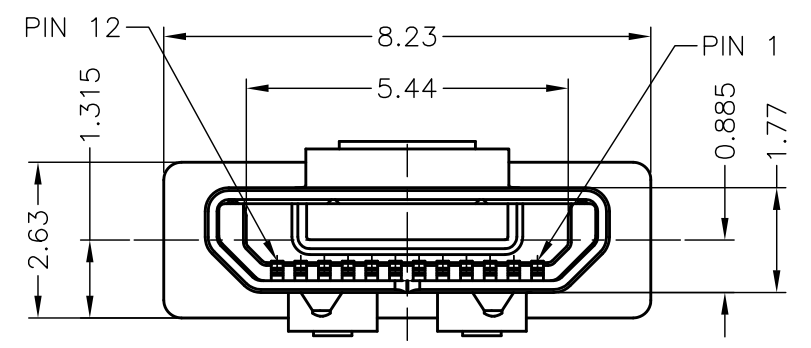
THIS DRAWING IS UNPUBLISHED. RELEASED FOR PUBLICATION
 © COPYRIGHT BY TYCO ELECTRONICS CORPORATION. ALL RIGHTS RESERVED.

LOC	DIST	REVISIONS			
P	LTR	DESCRIPTION	DATE	DWN	APVD
		A	RELEASED	03MAR11	N.T H.K

2129295-1: AS SHOWN



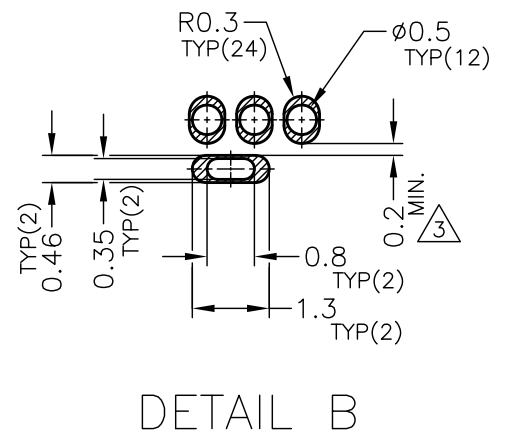
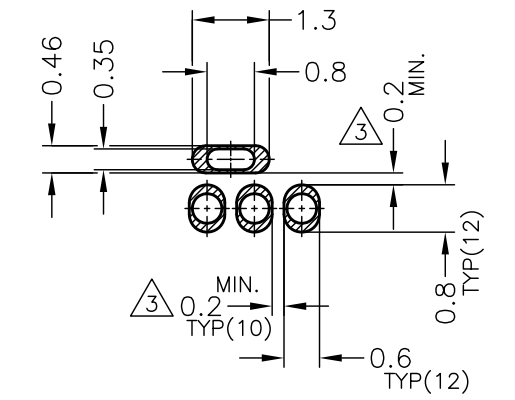
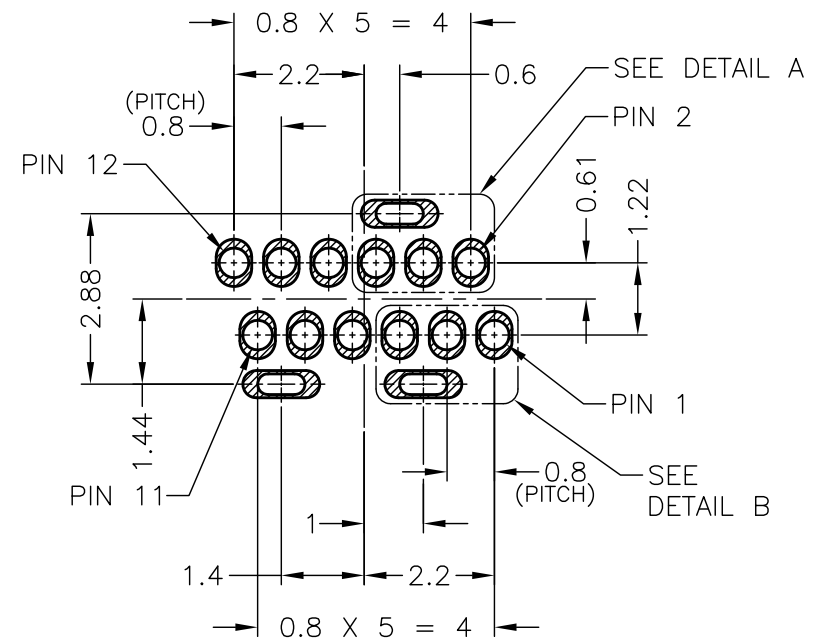
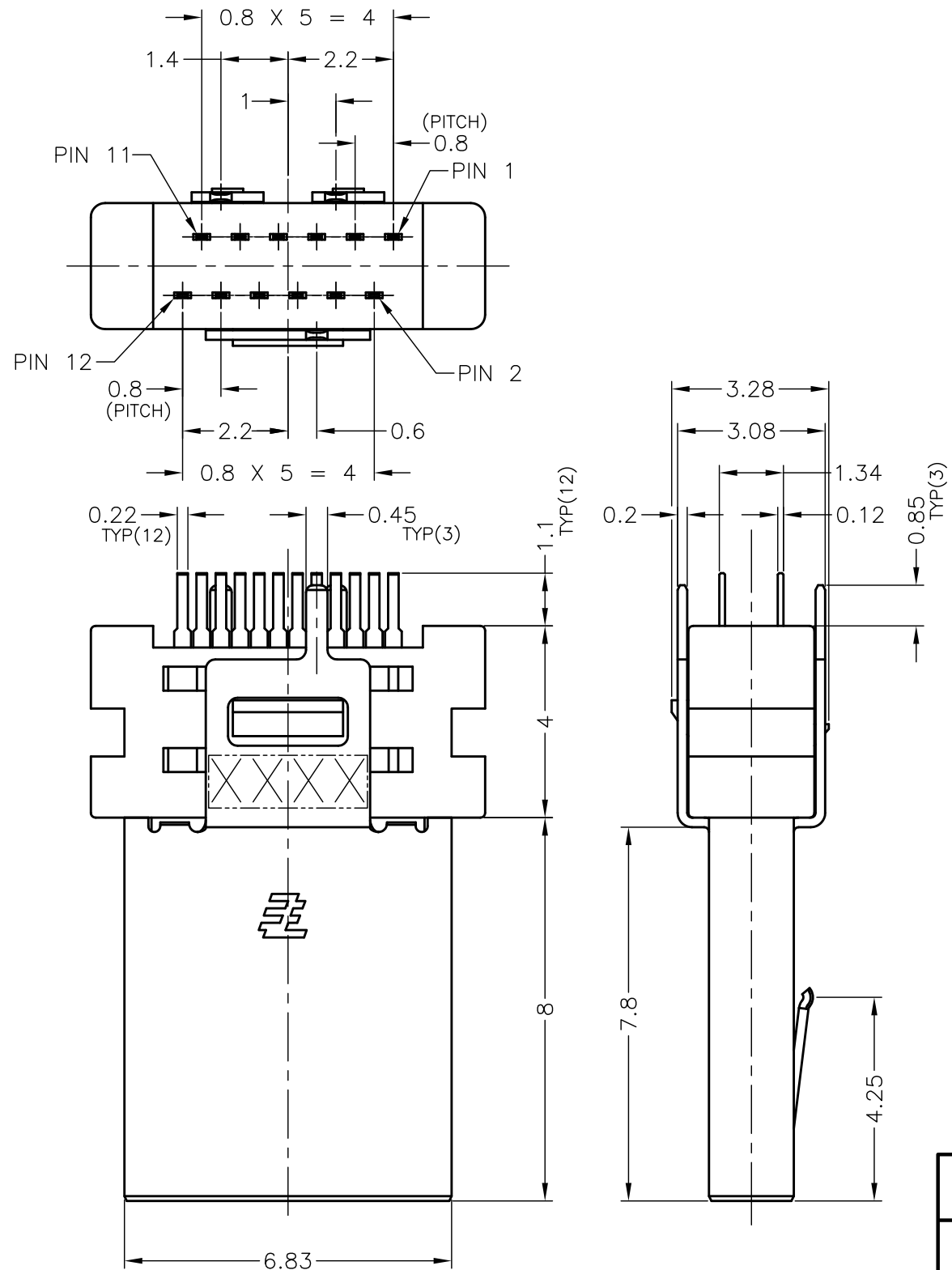
- 1. MATERIAL:
HOUSING: HIGH TEMPERATURE THERMOPLASTIC UL94 V-0, COLOR: BLACK.
CONTACT: COPPER ALLOY.
SHELL: STAINLESS STEEL.
- 2. FINISH:
CONTACT: Ni UNDER PL Au PL.
SHELL: Ni PL OVERALL.
- 3. SOLDER RING GAP SHOULD BE MIN. 0.2mm.
- 4. DATE CODE : (TEXT : ROMANS, HEIGHT : 0.9mm)
X XX X
DATE (SUNDAY~SATURDAY : 1~7)
WEEK
YEAR



THIS DRAWING IS A CONTROLLED DOCUMENT.		DWN	N. TSAI	03MAR11	Tyco Electronics Corporation Taipei, Taiwan
DIMENSIONS: mm		CHK	V. PENG	03MAR11	
TOLERANCES UNLESS OTHERWISE SPECIFIED: 8 PLC ± 1 PLC ± ±0.2 2 PLC ± ±3° 3 PLC ± ± 4 PLC ± ± ANGLES ± ±		APVD	H. KODAMA	03MAR11	
MATERIAL 1		PRODUCT SPEC		NAME	
FINISH 2		APPLICATION SPEC		MICRO HYBRID CONNECTOR THROUGH HOLE, CRADLE TYPE PLUG ASSY	
CUSTOMER DRAWING		SIZE	A3	CAGE CODE	00779
		DRAWING NO	2129295		RESTRICTED TO
		SCALE	8:1		SHEET 1 of 3
		REV	A		

LOC	DIST	REVISIONS			
P	LTR	DESCRIPTION	DATE	DWN	APVD
		SEE SHEET 1			

2129295-2: AS SHOWN



REFERENCE PCB LAYOUT 2129295-1 & -2
 (VIEWED FROM CONNECTOR MOUNTSIDE)
 TOLERANCE: NON-CUMULATIVE, ±0.05mm
 UNLESS OTHERWISE SPECIFIED

THIS DRAWING IS A CONTROLLED DOCUMENT.		DWN		Tyco Electronics		Tyco Electronics Corporation	
DIMENSIONS: mm		CHK		NAME		Taipei, Taiwan	
TOLERANCES UNLESS OTHERWISE SPECIFIED:		APVD		PRODUCT SPEC		MICRO HYBRID CONNECTOR THROUGH HOLE, CRADLE TYPE PLUG ASSY	
8 PLC ±		PRODUCT SPEC		APPLICATION SPEC		RESTRICTED TO	
1 PLC ± ±0.2		WEIGHT		SIZE		CAGE CODE	
2 PLC ± ±3°		CUSTOMER DRAWING		DRAWING NO		A3 00779	
3 PLC ± ±		SCALE		SHEET		REV	
4 PLC ± ±		8:1		2 OF 3		A	
ANGLES ±							
FINISH							

THIS DRAWING IS UNPUBLISHED.

RELEASED FOR PUBLICATION

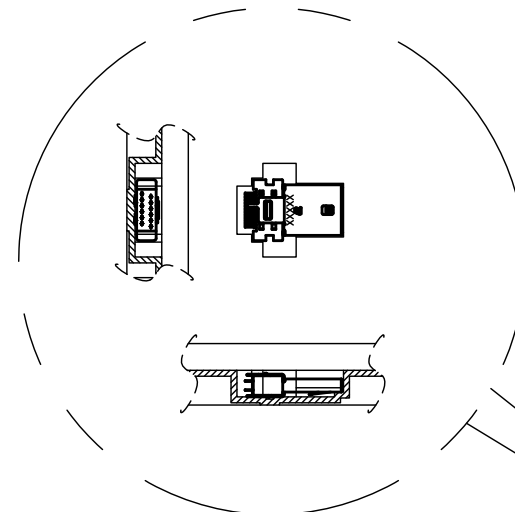
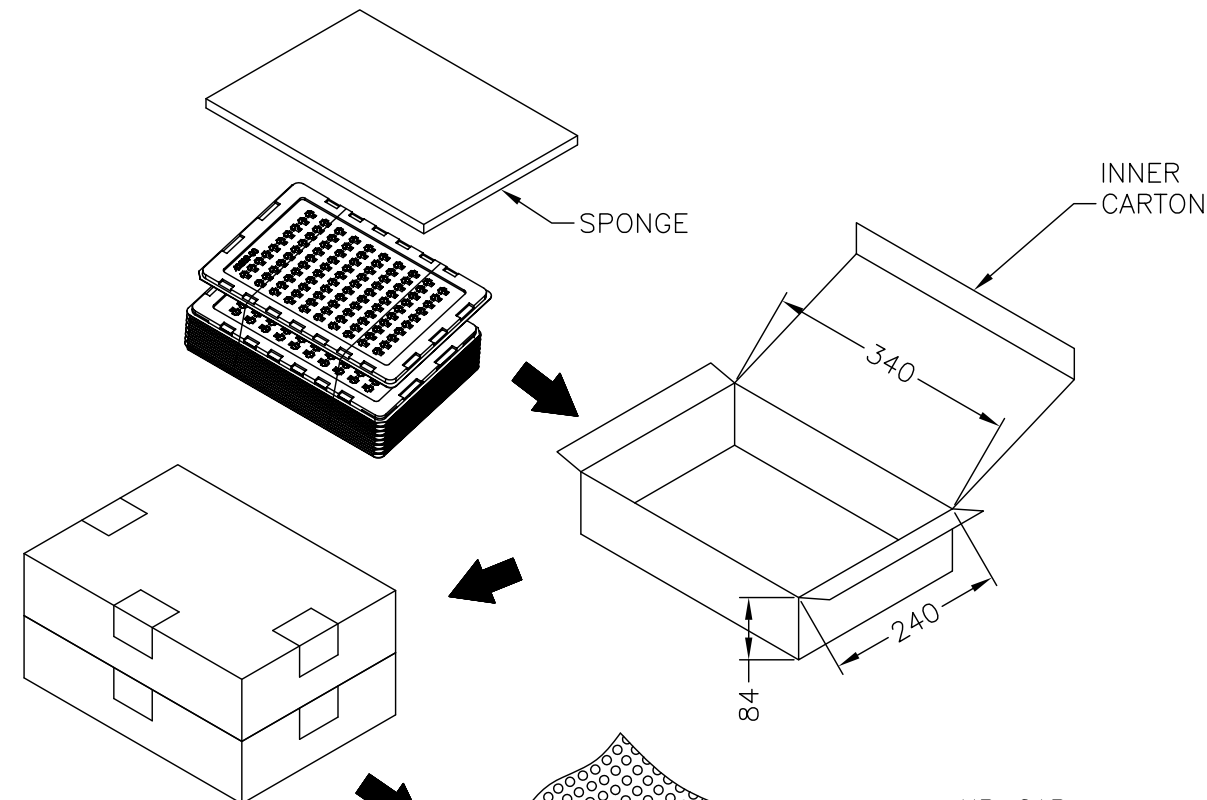
© COPYRIGHT BY TYCO ELECTRONICS CORPORATION. ALL RIGHTS RESERVED.

LOC DW

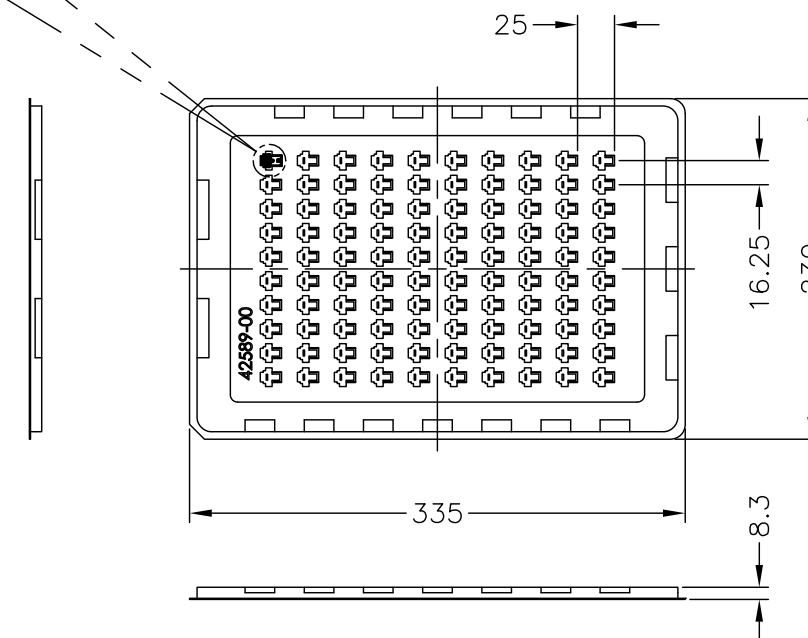
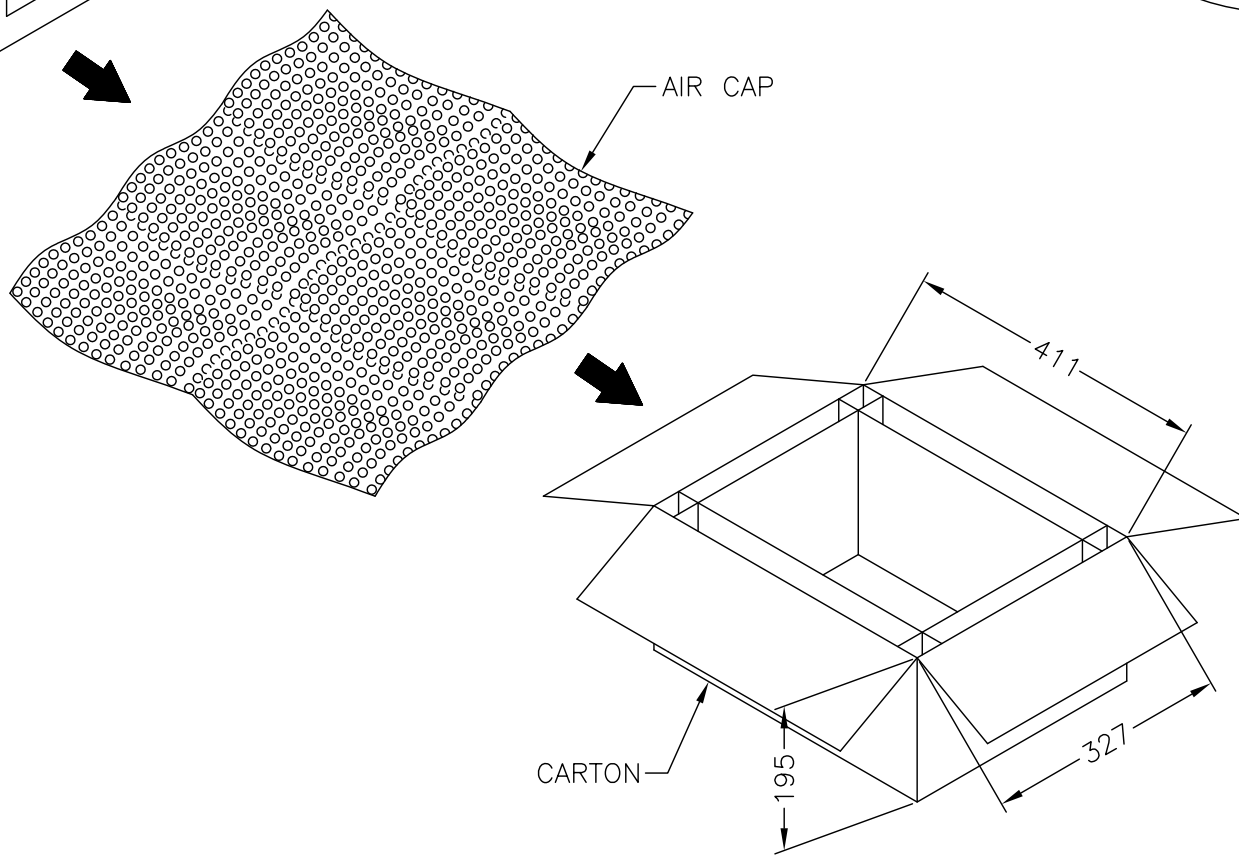
DIST

REVISIONS

P	LTR	DESCRIPTION	DATE	DWN	APVD
-	-	SEE SHEET 1	-	-	-



- 5. PACKING MATERIAL:
TRAY: PS, THICKNESS=0.8±0.05mm,
COLOR: NATURAL.
- 6. NET WEIGHT: 1.856Kg,
GROSS WEIGHT: 3.586Kg.



100	16	2	3200
PCS/TARY	TRAY/INNER BOX	INNER BOX/CARTON	TOTAL Q'TY

THIS DRAWING IS A CONTROLLED DOCUMENT.		DWN		Tyco Electronics Corporation Taipei, Taiwan																					
DIMENSIONS: mm		TOLERANCES UNLESS OTHERWISE SPECIFIED:		NAME																					
		<table border="0"> <tr><td>8 PLC</td><td>±</td><td>-</td></tr> <tr><td>1 PLC</td><td>±</td><td>±1</td></tr> <tr><td>2 PLC</td><td>±</td><td>±3</td></tr> <tr><td>3 PLC</td><td>±</td><td>-</td></tr> <tr><td>4 PLC</td><td>±</td><td>-</td></tr> <tr><td>ANGLES</td><td>±</td><td>-</td></tr> </table>		8 PLC	±	-	1 PLC	±	±1	2 PLC	±	±3	3 PLC	±	-	4 PLC	±	-	ANGLES	±	-	PRODUCT SPEC		MICRO HYBRID CONNECTOR THROUGH HOLE, CRADLE TYPE PLUG ASSY	
8 PLC	±	-																							
1 PLC	±	±1																							
2 PLC	±	±3																							
3 PLC	±	-																							
4 PLC	±	-																							
ANGLES	±	-																							
MATERIAL		FINISH		SIZE CAGE CODE DRAWING NO RESTRICTED TO																					
①		②		A3 00779 2129295																					
CUSTOMER DRAWING				SCALE FREE SHEET 3 of 3 REV A																					