



Chipsmall Limited consists of a professional team with an average of over 10 year of expertise in the distribution of electronic components. Based in Hongkong, we have already established firm and mutual-benefit business relationships with customers from,Europe,America and south Asia,supplying obsolete and hard-to-find components to meet their specific needs.

With the principle of “Quality Parts,Customers Priority,Honest Operation,and Considerate Service”,our business mainly focus on the distribution of electronic components. Line cards we deal with include Microchip,ALPS,ROHM,Xilinx,Pulse,ON,Everlight and Freescale. Main products comprise IC,Modules,Potentiometer,IC Socket,Relay,Connector.Our parts cover such applications as commercial,industrial, and automotives areas.

We are looking forward to setting up business relationship with you and hope to provide you with the best service and solution. Let us make a better world for our industry!



Contact us

Tel: +86-755-8981 8866 Fax: +86-755-8427 6832

Email & Skype: info@chipsmall.com Web: www.chipsmall.com

Address: A1208, Overseas Decoration Building, #122 Zhenhua RD., Futian, Shenzhen, China



4

3

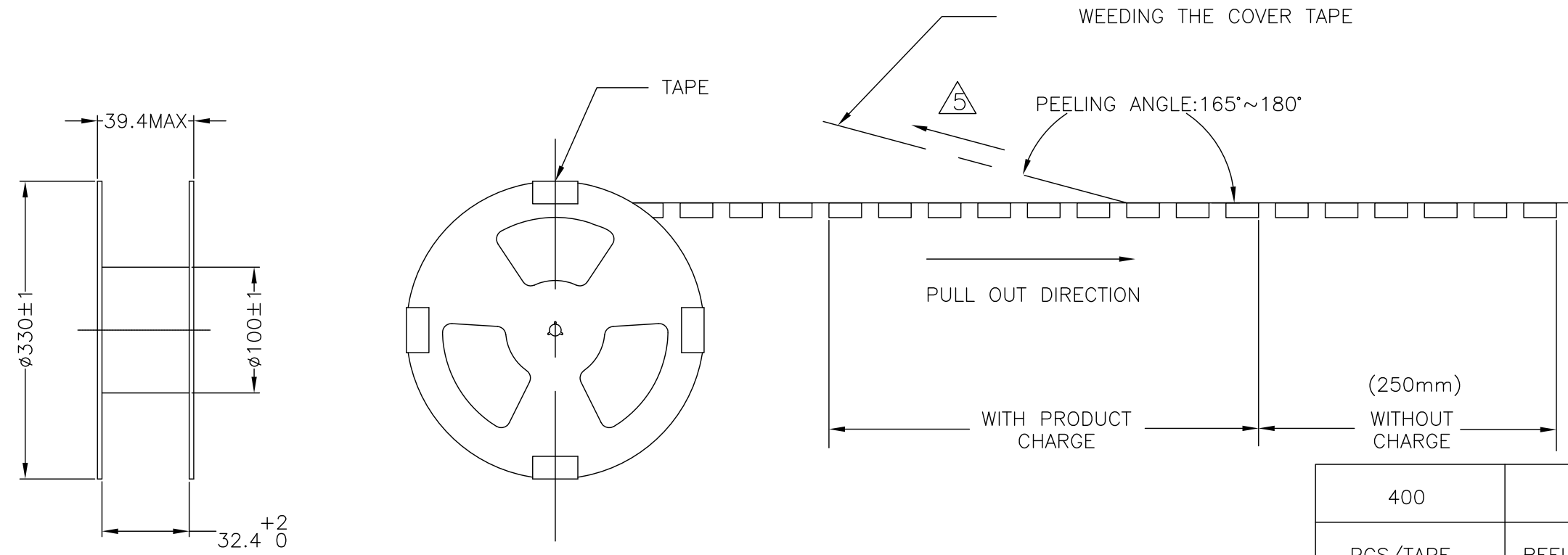
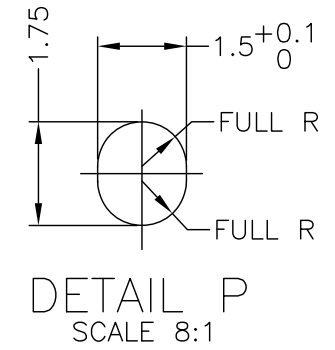
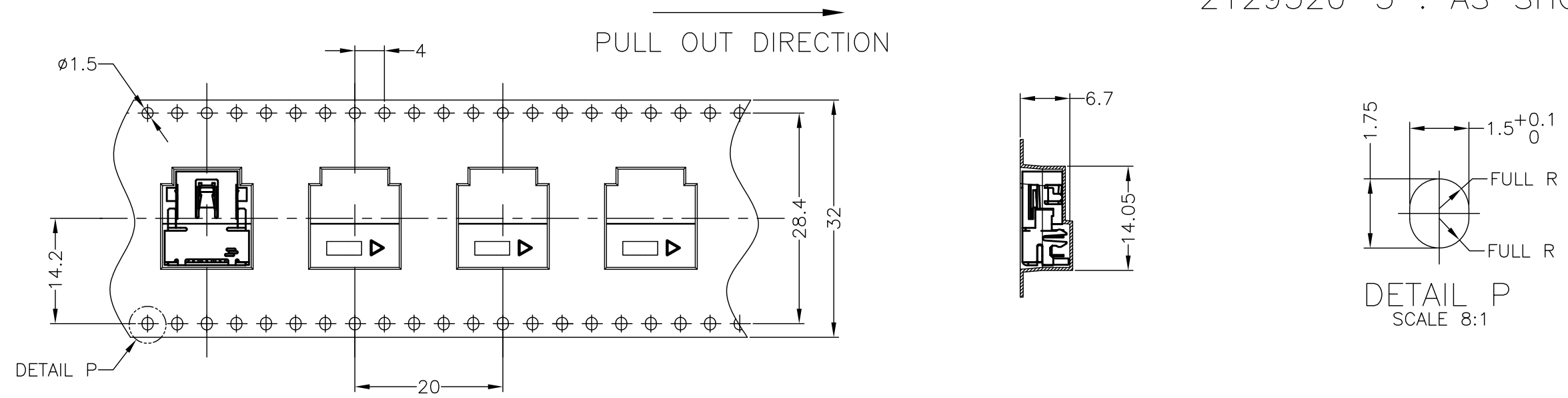
2

1

THIS DRAWING IS UNPUBLISHED. RELEASED FOR PUBLICATION
 © COPYRIGHT - By - ALL RIGHTS RESERVED.

LOC	DIST	REVISIONS					
DW		P	LTR	DESCRIPTION	DATE	DWN	APVD
		D		REVISED (ECR-13-015305)	30SEP13	J.L	H.K

2129320-3 : AS SHOWN



400	8	3200
PCS/TAPE	REELS/CARTON	TOTAL Q'TY

THIS DRAWING IS A CONTROLLED DOCUMENT.		DWN	V.PENG	02SEP2011	 TE Connectivity														
DIMENSIONS: mm		CHK	M.CHAO	02SEP2011															
<table border="1"> <tr> <th>TOLERANCES UNLESS OTHERWISE SPECIFIED:</th> <th></th> </tr> <tr> <td>0 PLC</td> <td>±</td> </tr> <tr> <td>1 PLC</td> <td>±</td> </tr> <tr> <td>2 PLC</td> <td>±</td> </tr> <tr> <td>3 PLC</td> <td>±</td> </tr> <tr> <td>4 PLC</td> <td>±</td> </tr> <tr> <td>ANGLES</td> <td>±3</td> </tr> </table>		TOLERANCES UNLESS OTHERWISE SPECIFIED:		0 PLC		±	1 PLC	±	2 PLC	±	3 PLC	±	4 PLC	±	ANGLES	±3	APVD	H.KODAMA	02SEP2011
TOLERANCES UNLESS OTHERWISE SPECIFIED:																			
0 PLC	±																		
1 PLC	±																		
2 PLC	±																		
3 PLC	±																		
4 PLC	±																		
ANGLES	±3																		
MATERIAL: SEE NOTE 1		FINISH		PRODUCT SPEC															
		APPLICATION SPEC		NAME: MINI DISPLAYPORT RECEPTACLE CONNECTOR 4 ROW TH, REVERSED, OFFSET TYPE															
		WEIGHT		SIZE: A3	CAGE CODE: 00779														
		CUSTOMER DRAWING		DRAWING NO: 2129320															
				RESTRICTED TO															
				SCALE: NONE	SHEET: 1 OF 4														
				REV: D															

4

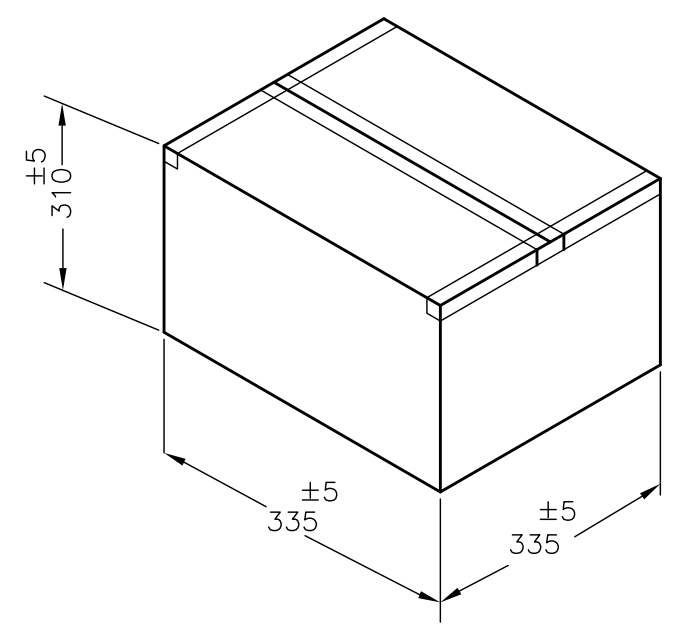
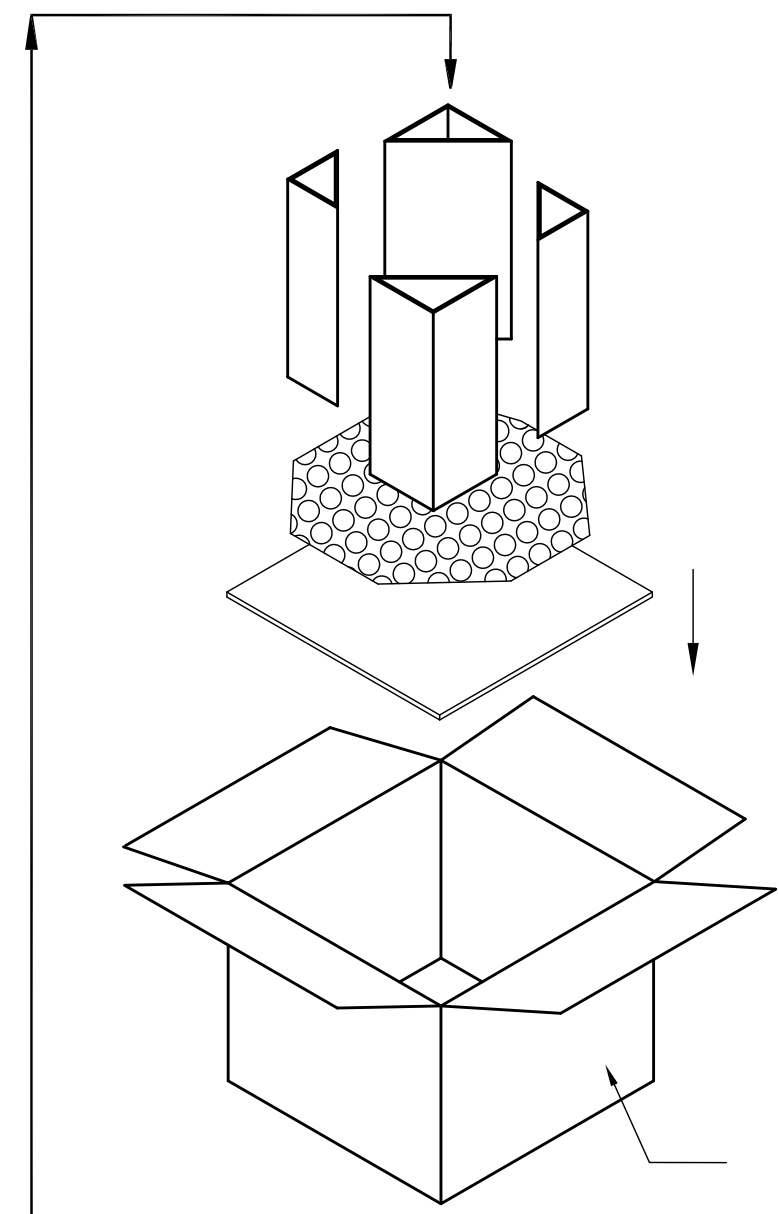
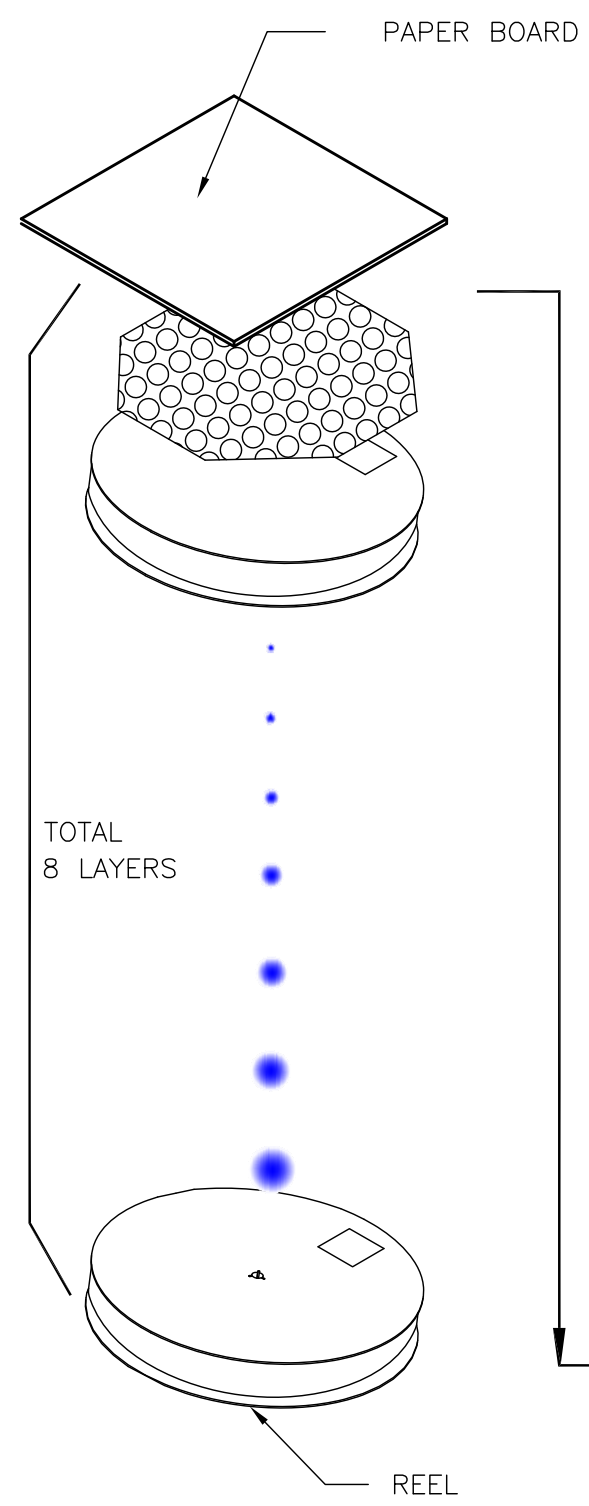
3

2

1

THIS DRAWING IS UNPUBLISHED. RELEASED FOR PUBLICATION - , - .
 © COPYRIGHT - By - ALL RIGHTS RESERVED.

LOC	DIST	REVISIONS			
P	LTR	DESCRIPTION	DATE	DWN	APVD
		SEE SHEET 1	-	-	-



1. PACKING MATERIAL :
 - 1.1 REEL: PS(RoHS) BLUE.
 - 1.2 COVER TAPE: PET,
 - 1.3 SHIPPING CARTON: CORRUGATED FIBER
2. DIMENSION :
 - 2.1 REEL: W=44.5, DIA=330
 - 2.2 SHIPPING CARTON: L=335, W=335, H=310
3. QUANTITY :
 - 3.1 PRIMARY PACKING: 400 PCS/REEL
 - 3.2 SECONDARY PACKING: 8 REELS(3200 PCS)/CARTON
4. WEIGHT :
 - 4.1 NET WEIGHT : 1.23g/PCS, 0.49Kg/REEL, 3.93Kg/CARTON.
 - 4.2 GROSS WEIGHT: 7.83 Kg/CARTON.
5. PEELING RESISTANCE: 0.1~0.7N (10.2gf~71.4gf).
6. PEELING SPEED: 300mm/MINUTES.

THIS DRAWING IS A CONTROLLED DOCUMENT.		DWN	STE TE Connectivity	
DIMENSIONS: mm		CHK		
TOLERANCES UNLESS OTHERWISE SPECIFIED:		APVD	NAME	
0 PLC ±		PRODUCT SPEC	MINI DISPLAYPORT	
1 PLC ±		APPLICATION SPEC	RECEPTACLE CONNECTOR	
2 PLC ± ±0.25		WEIGHT	4 ROW TH, REVERSED, OFFSET TYPE	
3 PLC ±		CUSTOMER DRAWING	SIZE	CAGE CODE
4 PLC ±			A3	00779
ANGLES ±3			DRAWING NO	RESTRICTED TO
MATERIAL SEE NOTE 1			C-2129320	
FINISH		SCALE	SHEET	REV
		NONE	2 OF 4	D

4

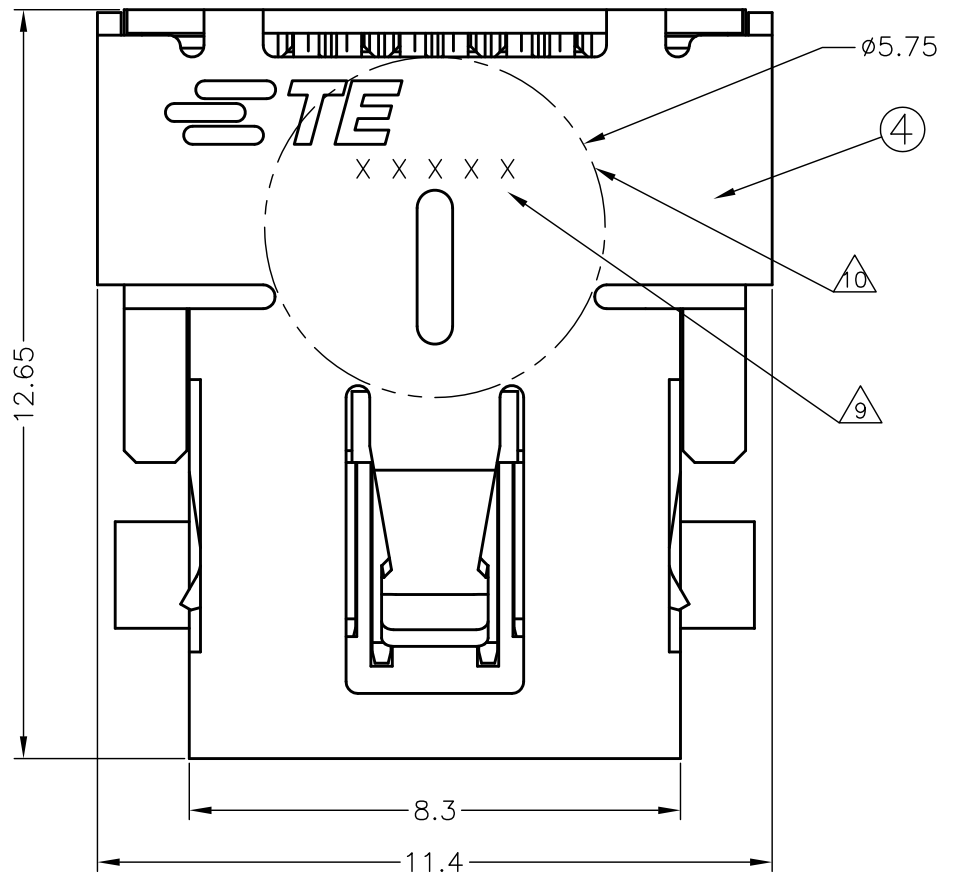
3

2

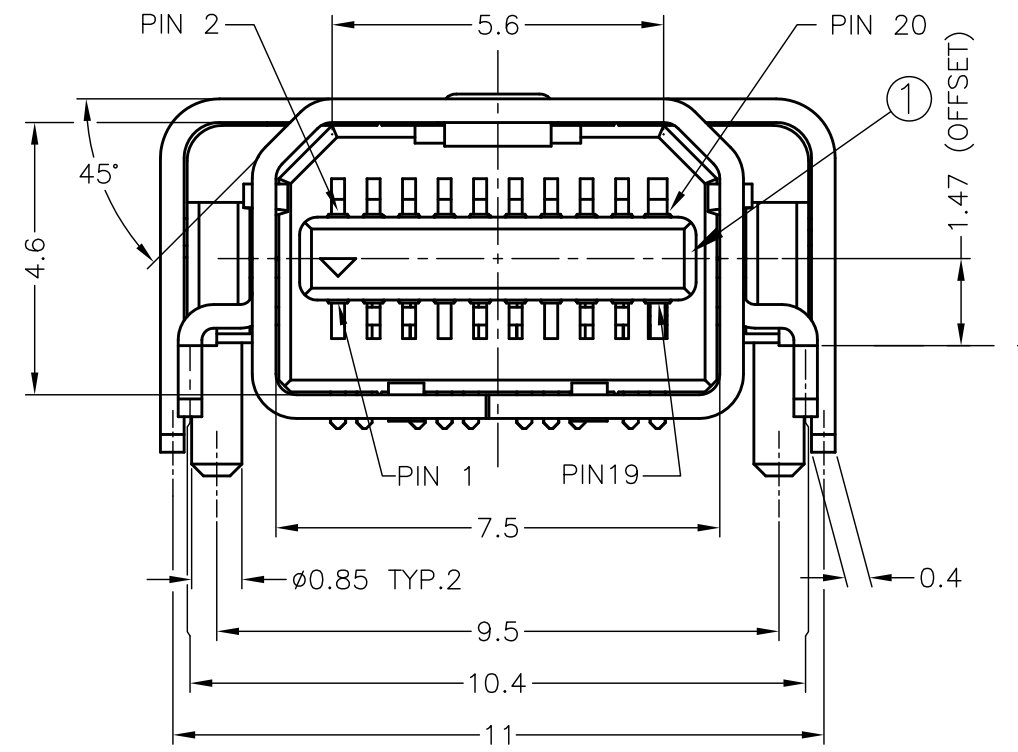
1

THIS DRAWING IS UNPUBLISHED. RELEASED FOR PUBLICATION
 © COPYRIGHT - By - ALL RIGHTS RESERVED.

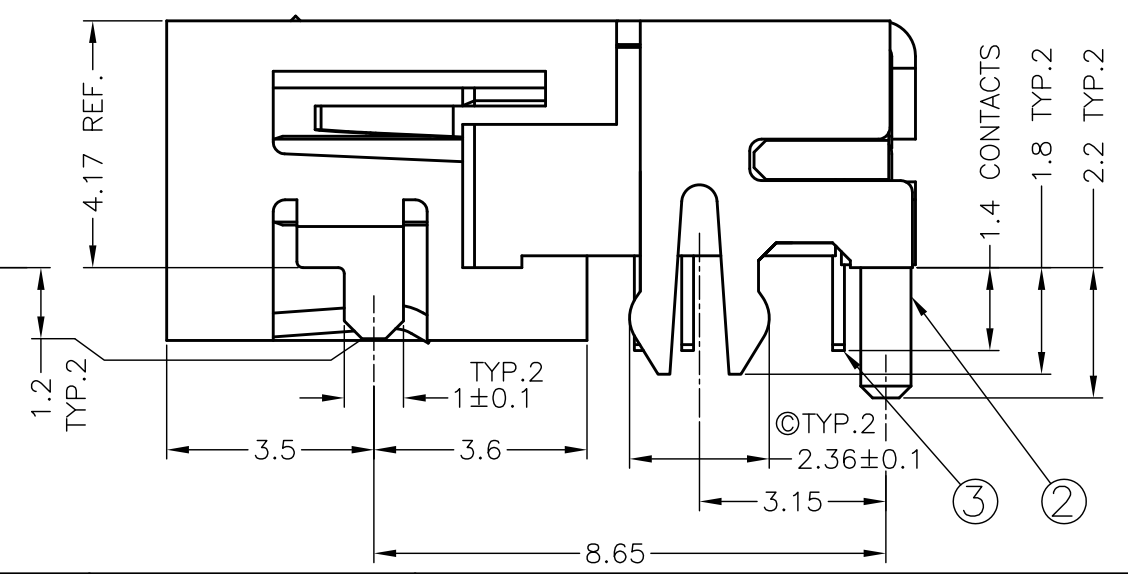
LOC	DIST	REVISIONS				
P	LTR	DESCRIPTION	DATE	DWN	APVD	
DW		SEE SHEET 1	-	-	-	



- △ MATERIAL:
- ① HOUSING: HIGH TEMPERATURE THERMAL PLASTIC, BLACK, UL94V-0.
 - ② TINE PLATE: HIGH TEMPERATURE THERMAL PLASTIC, BLACK, UL94V-0.
 - ③ CONTACT: COPPER ALLOY.
 - ④ SHELL: STAINLESS STEEL.
- △ FINISH:
- CONTACT:
- CONTACT AREA: Au PLATING 0.38 um
 - SOLDER TAIL AREA: MATTE TIN PLATING
 - UNDER PLATING: NICKEL PLATING OVERALL
- SHELL:
- MATTE TIN PL. ALL OVER
 - NICKEL UNDERPLATING ALL OVER
- △ DATE CODE
- △ PICK & PLACE VACUUM AREA
11. LOW HALOGEN SPECIFICATION
 CHLORINE(Cl) : 900 ppm MAX.
 BROMINE(Br) : 900 ppm MAX.



MOUNTING SURFACE



D

D

C

C

B

B

A

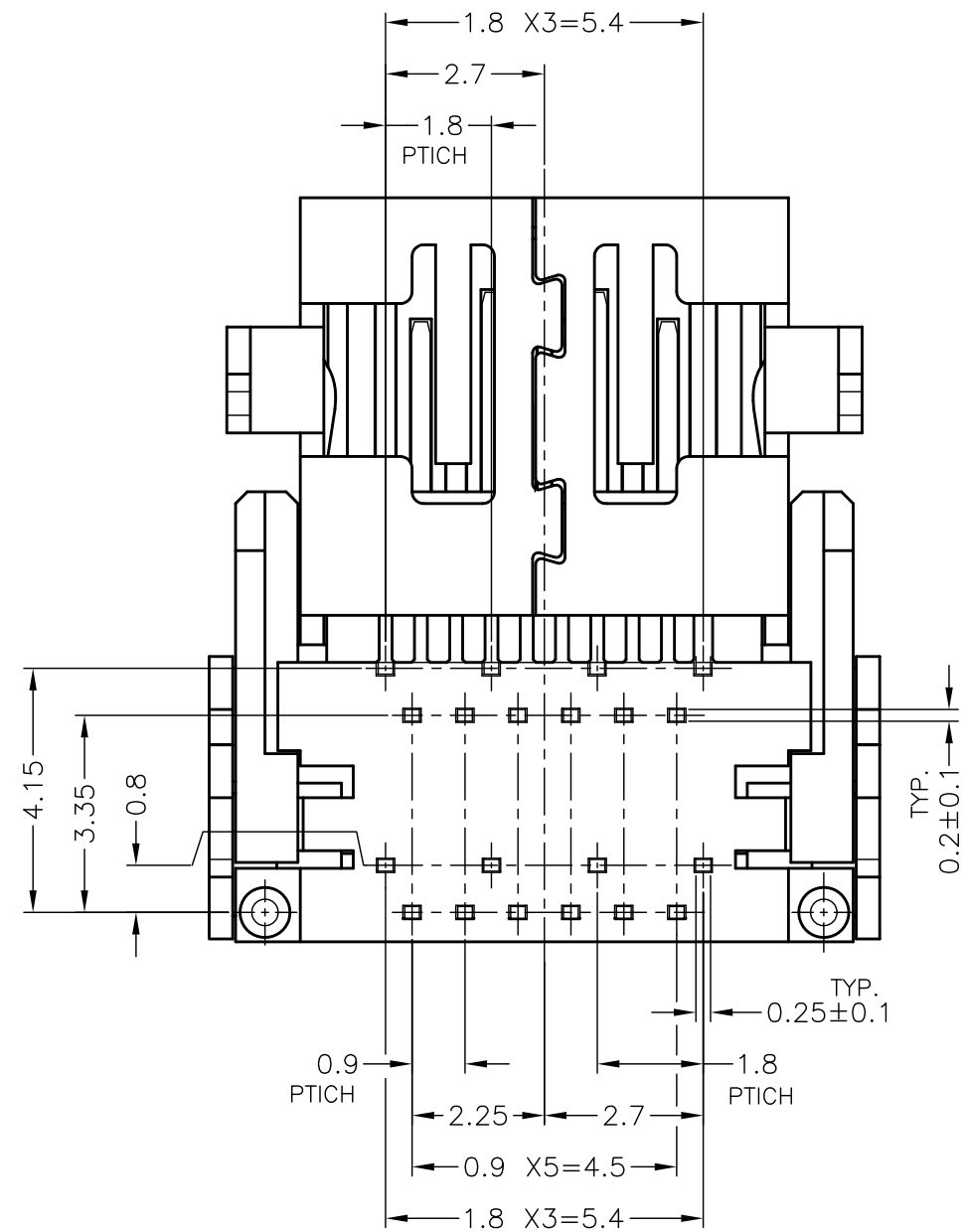
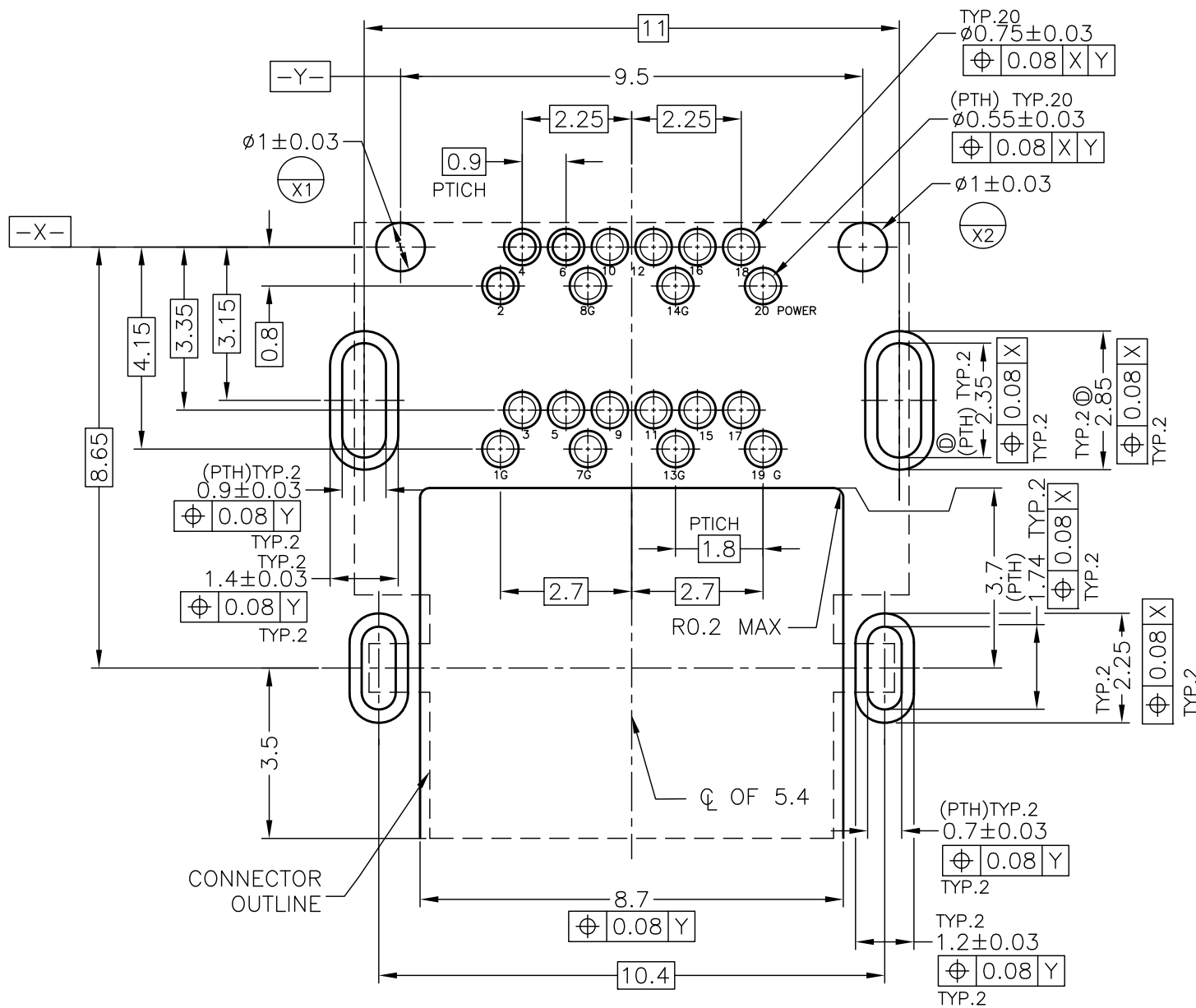
A

VIEW A

THIS DRAWING IS A CONTROLLED DOCUMENT.		DWN	TE Connectivity														
DIMENSIONS: mm		CHK															
TOLERANCES UNLESS OTHERWISE SPECIFIED:		APVD	NAME														
<table border="1"> <tr><td>0 PLC</td><td>±</td></tr> <tr><td>1 PLC</td><td>±</td></tr> <tr><td>2 PLC</td><td>±</td></tr> <tr><td>3 PLC</td><td>±</td></tr> <tr><td>4 PLC</td><td>±</td></tr> <tr><td>ANGLES</td><td>±3</td></tr> </table>		0 PLC	±	1 PLC	±	2 PLC	±	3 PLC	±	4 PLC	±	ANGLES	±3	PRODUCT SPEC	MINI DISPLAYPORT RECEPTACLE CONNECTOR		
0 PLC	±																
1 PLC	±																
2 PLC	±																
3 PLC	±																
4 PLC	±																
ANGLES	±3																
MATERIAL		APPLICATION SPEC	4 ROW TH, REVERSED, OFFSET TYPE														
FINISH		WEIGHT	SIZE	CAGE CODE	DRAWING NO												
SEE NOTE 7		CUSTOMER DRAWING	A3	00779	C-2129320												
SEE NOTE 8		SCALE	RESTRICTED TO		REV												
		8:1	SHEET 3 OF 4		D												

THIS DRAWING IS UNPUBLISHED. RELEASED FOR PUBLICATION. ALL RIGHTS RESERVED.

LOC	DIST	REVISIONS					
DW		P	LTR	DESCRIPTION	DATE	DWN	APVD
		-	-	SEE SHEET 1	-	-	-



REFERENCE PCB LAYOUT
 MOUNTING SIDE VIEW (THICKNESS=1.2±0.1)
 TOLERANCE: ±0.05

THIS DRAWING IS A CONTROLLED DOCUMENT.		DWN	STE TE Connectivity			
DIMENSIONS: mm		CHK				
TOLERANCES UNLESS OTHERWISE SPECIFIED:		APVD	NAME			
0 PLC ±		PRODUCT SPEC	MINI DISPLAYPORT RECEPTACLE CONNECTOR 4 ROW TH, REVERSED, OFFSET TYPE			
1 PLC ±		APPLICATION SPEC				
2 PLC ± ±0.25		WEIGHT	SIZE	CAGE CODE	DRAWING NO	RESTRICTED TO
3 PLC ±		CUSTOMER DRAWING	A3	00779	C-2129320	
4 PLC ± ±3			SCALE	8:1	SHEET	4 OF 4
MATERIAL		FINISH		D		