



Chipsmall Limited consists of a professional team with an average of over 10 year of expertise in the distribution of electronic components. Based in Hongkong, we have already established firm and mutual-benefit business relationships with customers from,Europe,America and south Asia,supplying obsolete and hard-to-find components to meet their specific needs.

With the principle of “Quality Parts,Customers Priority,Honest Operation,and Considerate Service”,our business mainly focus on the distribution of electronic components. Line cards we deal with include Microchip,ALPS,ROHM,Xilinx,Pulse,ON,Everlight and Freescale. Main products comprise IC,Modules,Potentiometer,IC Socket,Relay,Connector.Our parts cover such applications as commercial,industrial, and automotives areas.

We are looking forward to setting up business relationship with you and hope to provide you with the best service and solution. Let us make a better world for our industry!



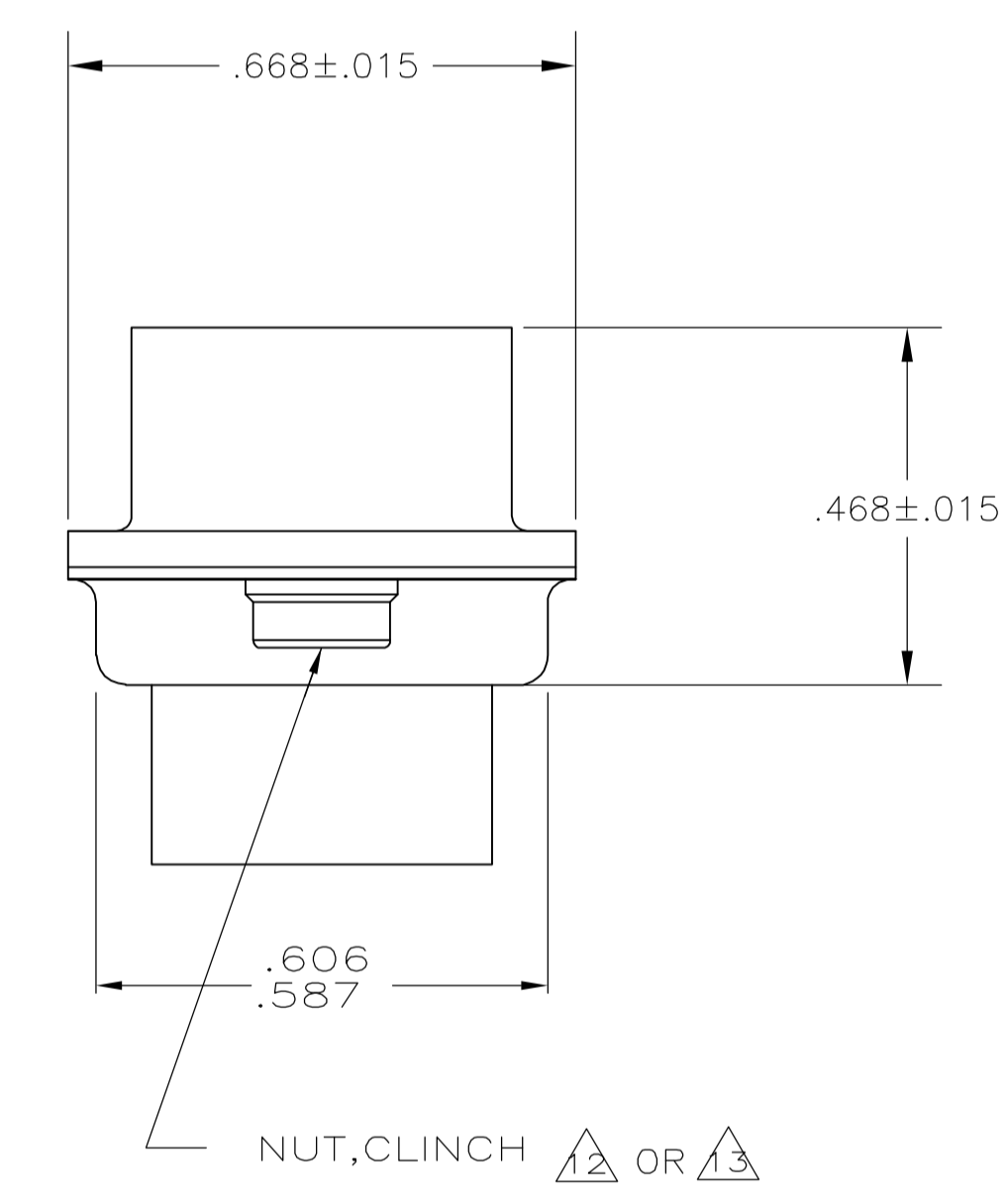
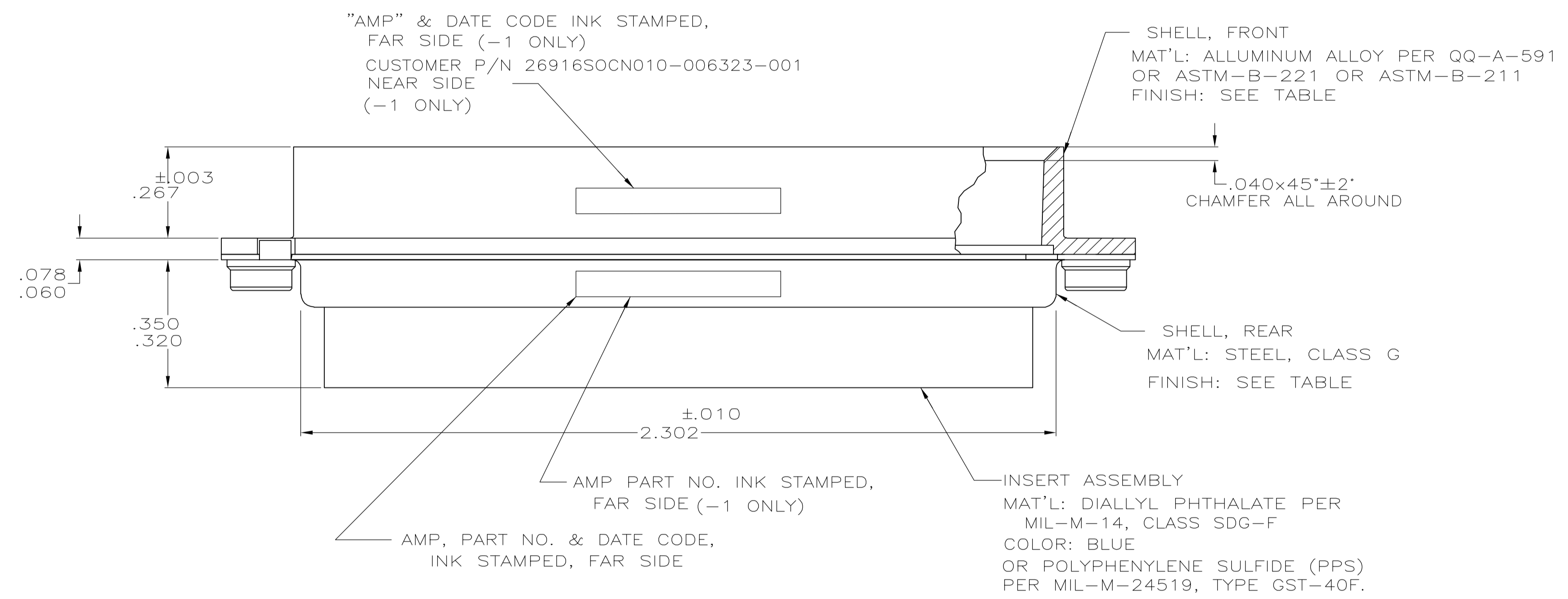
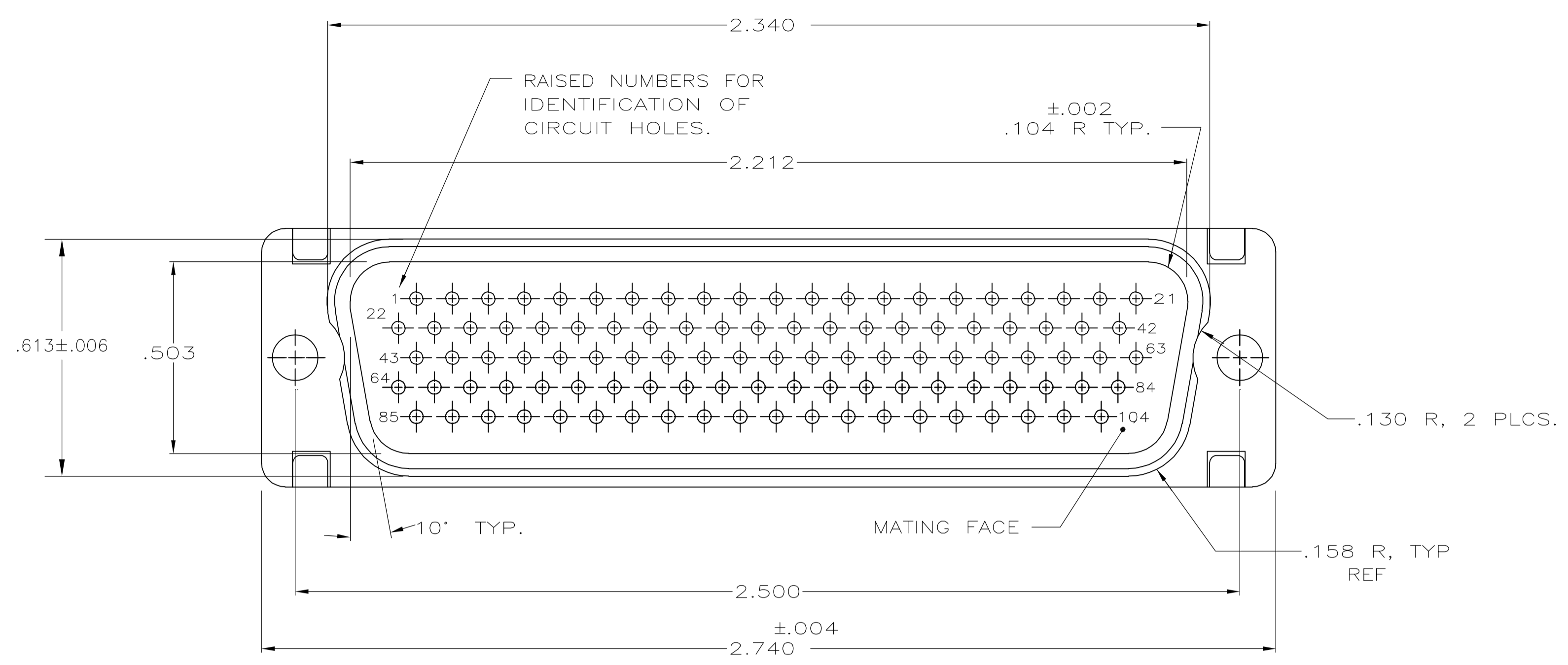
## Contact us

Tel: +86-755-8981 8866 Fax: +86-755-8427 6832

Email & Skype: info@chipsmall.com Web: www.chipsmall.com

Address: A1208, Overseas Decoration Building, #122 Zhenhua RD., Futian, Shenzhen, China





1. THIS PLUG WILL MATE WITH ANY 104 POSN., SIZE 6 RECEPTACLE IN AMPLIMITE SERIES.
2. MAXIMUM WIRE INSULATION TO BE USED WITH THIS PLUG IS .054 DIA.
3. SST RETENTION CLIPS ARE INCLUDED IN INSERTS.
4. THIS PLUG IS DESIGNED TO CONFORM TO THE LATEST ISSUE OF MIL-C-24308.
5. CONNECTOR SUPPLIED WITHOUT CONTACTS.
6. THIS CONNECTOR WILL ACCEPT SIZE 22DF CONTACTS P/N 66556-3, 66718-4 OR SIZE 22DM CONTACTS P/N 204370-2 OR ANY OTHER SIZE 22 CONTACT IN THE AMPLIMITE SERIES.
7. TO INSTALL OR REMOVE CONTACTS USE INSERTION/EXTRACTION TOOL P/N 91067-1 OR MIL NUMBER M81969/1-04.

- 8 WITHOUT CLINCH NUTS; MOUNTING HOLE DIA .120
- 9 WITHOUT CUSTOMER PART NO.
- 10 FINISH: CADMIUM PER QQ-P-416
- 11 FINISH: PLATED CADMIUM PER QQ-P-416, YELLOW CHROMATE
- 12 NUT, CLINCH - IN ACCORDANCE WITH M45938/6-2 OR M45938/6-2C
- 13 NUT, CLINCH, 2-56 UNC - MATERIAL: CARBON STEEL FINISH: YELLOW CHROMATE OVER CADMIUM PER QQ-P-416
- 14 ZINC PLATE .000200 [0.0050] MIN. THICK PER ASTM-B-663, YELLOW CHROMATE.

SAME AS -1 EXCEPT: 8, 9, 10, 11, 12, 13, 14	212933-4
SAME AS -1 EXCEPT: 8, 9, 11, 12, 13, 14	212933-3
SAME AS -1 EXCEPT: 8, 9, 10, 11, 12, 13, 14	212933-2
AS SHOWN 8, 9, 10, 11, 12, 13, 14	212933-1
DESCRIPTION	PART NO

THIS DRAWING IS A CONTROLLED DOCUMENT.

DIN	D.D.ERDMAN	5-31-85		Tyco Electronics Corporation
CHK	J.L.BROSCHARD	5-31-85		Harrisburg, PA 17105-3608
APVD	J.L.BROSCHARD	5-31-85	NAME	PLUG ASSY, 104 POSN, SIZE 6
PRODUCT SPEC				SERIES 90, BLINDMATE, AMPLIMITE
APPLICATION SPEC			SIZE	CAGE CODE
			A1	00779
MATERIAL	SEE CALLOUTS	FINISH	SEE CALLOUTS	WEIGHT
				SCALE
				4:1
				SHEET
				1 OF 1
				REV
				S