



Chipsmall Limited consists of a professional team with an average of over 10 year of expertise in the distribution of electronic components. Based in Hongkong, we have already established firm and mutual-benefit business relationships with customers from,Europe,America and south Asia,supplying obsolete and hard-to-find components to meet their specific needs.

With the principle of “Quality Parts,Customers Priority,Honest Operation,and Considerate Service”,our business mainly focus on the distribution of electronic components. Line cards we deal with include Microchip,ALPS,ROHM,Xilinx,Pulse,ON,Everlight and Freescale. Main products comprise IC,Modules,Potentiometer,IC Socket,Relay,Connector.Our parts cover such applications as commercial,industrial, and automotives areas.

We are looking forward to setting up business relationship with you and hope to provide you with the best service and solution. Let us make a better world for our industry!



## Contact us

Tel: +86-755-8981 8866 Fax: +86-755-8427 6832

Email & Skype: info@chipsmall.com Web: www.chipsmall.com

Address: A1208, Overseas Decoration Building, #122 Zhenhua RD., Futian, Shenzhen, China

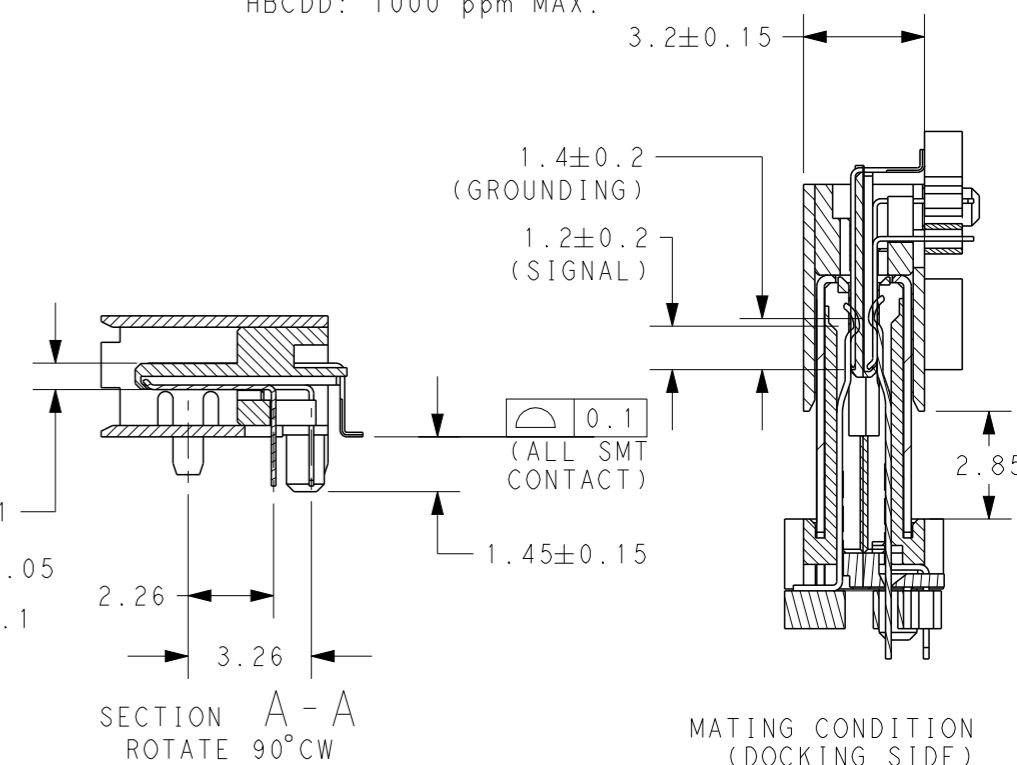
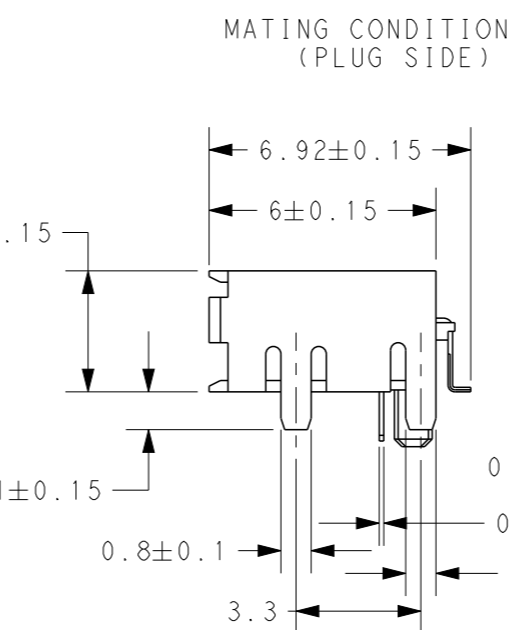
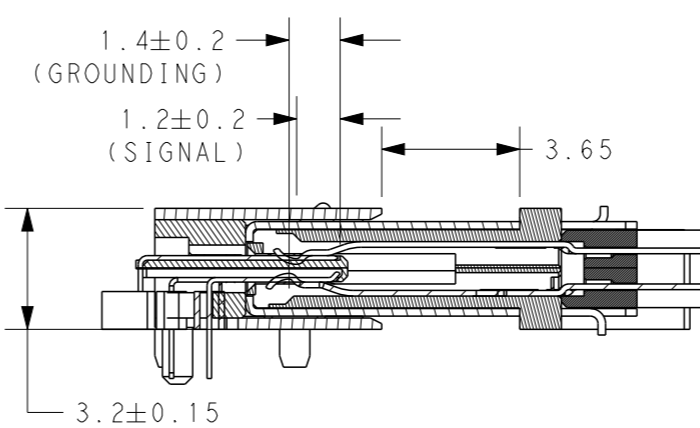
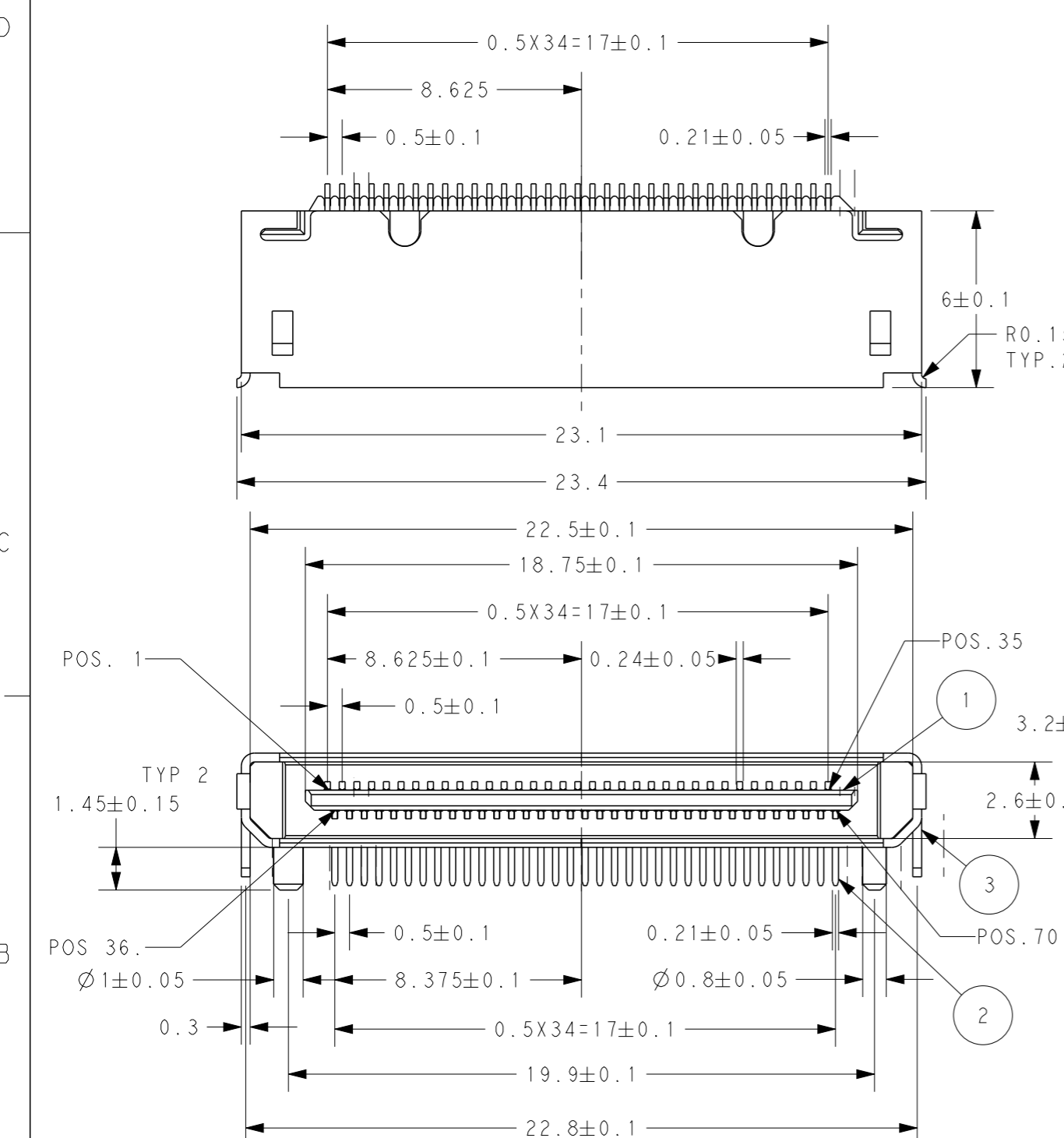


LOC	DIST
DW	

REVISIONS


P	LTR	DESCRIPTION	DATE	DWN	APVD
A3		REVISED(ECR-13-010163)	24JUN13	P.H	H.K

2129390-2: AS SHOWN



- MATERIAL:
  - ① HOUSING: LCP(UL94V-0, BLACK).
  - ② CONTACT: BRASS
  - ③ SHELL: STAINLESS STEEL SUS304 ,THICKNESS 0.3mm
- FINISH:
  - CONTACT: OVERALL 2um MIN. NICKEL PLATING  
0.38um MIN. AU PLATING ON CONTACT AREA  
0.1um MIN. MATTE TIN PLATING ON TINE AREA
  - SHELL: 2um MIN. NICKEL PLATING OVERALL
- PRODUCT MUST MEET CONTROLLED SUBSTANCES PER TE SPEC: TEC-138-702  
SPECIAL REQUEST OF LOW HALOGEN SPEC:  
CHLORINE (Cl): 900ppm MAX.  
BROMINE (Br): 900ppm MAX.  
SPECIAL REQUEST OF REACH SvHC SPEC ON NON-MATAL MATERIAL:  
DBP: 1000 ppm MAX.  
DEHP: 1000 ppm MAX.  
BBP: 1000 ppm MAX.  
HBCDD: 1000 ppm MAX.

INFORMATION IS TE CONFIDENTIAL & PROPRIETARY

THIS DRAWING IS A CONTROLLED DOCUMENT.		DWN W. CHEN 13AUG2012	 TE Connectivity			
DIMENSIONS: mm		CHK W. CHEN 13AUG2012				
TOLERANCES UNLESS OTHERWISE SPECIFIED:		APVD H. KODAMA 13AUG2012				
0 PLC ±0.25 1 PLC ±0.25 2 PLC ±0.25 3 PLC ±0.25 4 PLC ±0.25 ANGLES ±5°		NAME HEADER ASSEMBLY 0.5CL 70POS. DOCKING CONNECTOR				
MATERIAL		PRODUCT SPEC 108-99038	SIZE A3	CAGE CODE 00779	DRAWING NO C-2129390	RESTRICTED TO
FINISH		APPLICATION SPEC	SCALE 2:1		SHEET 1 OF 4	REV A3
CUSTOMER DRAWING		WEIGHT				

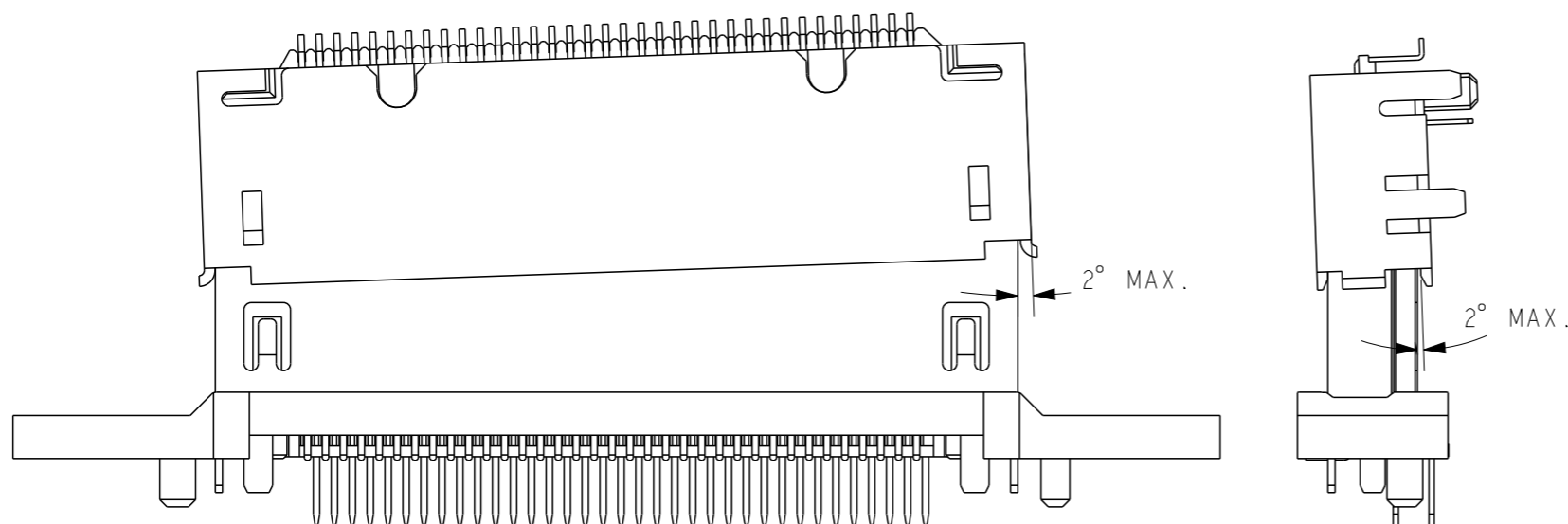
LOC  
DW

DIST

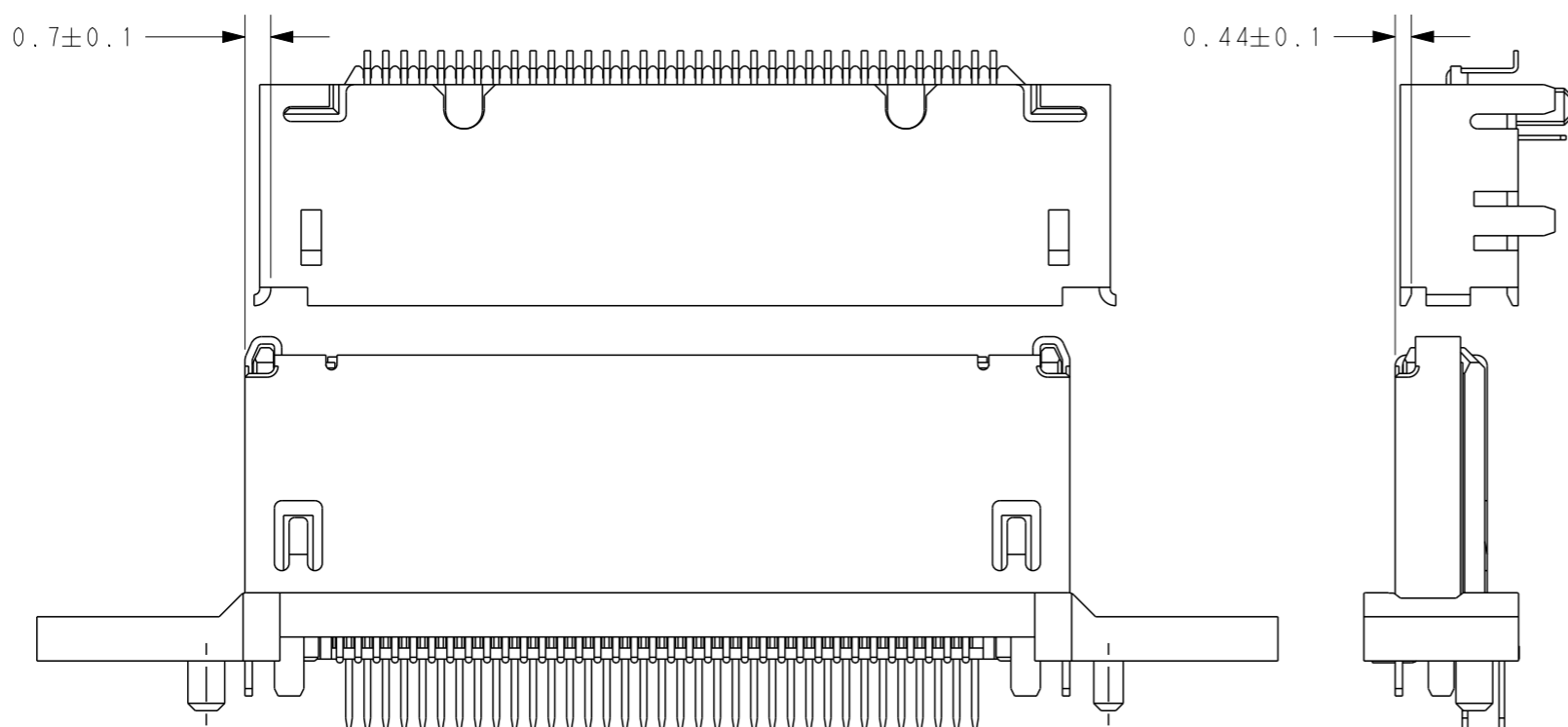
REVISIONS

P	LTR	DESCRIPTION	DATE	DWN	APVD
-	-	SEE SHEET 1	-	-	-

CONNECTOR CAN BE ROTATED ANGLE



CONNECTOR CAN BE SHIFT DIMENSION



INFORMATION IS TE CONFIDENTIAL & PROPRIETARY

THIS DRAWING IS A CONTROLLED DOCUMENT.

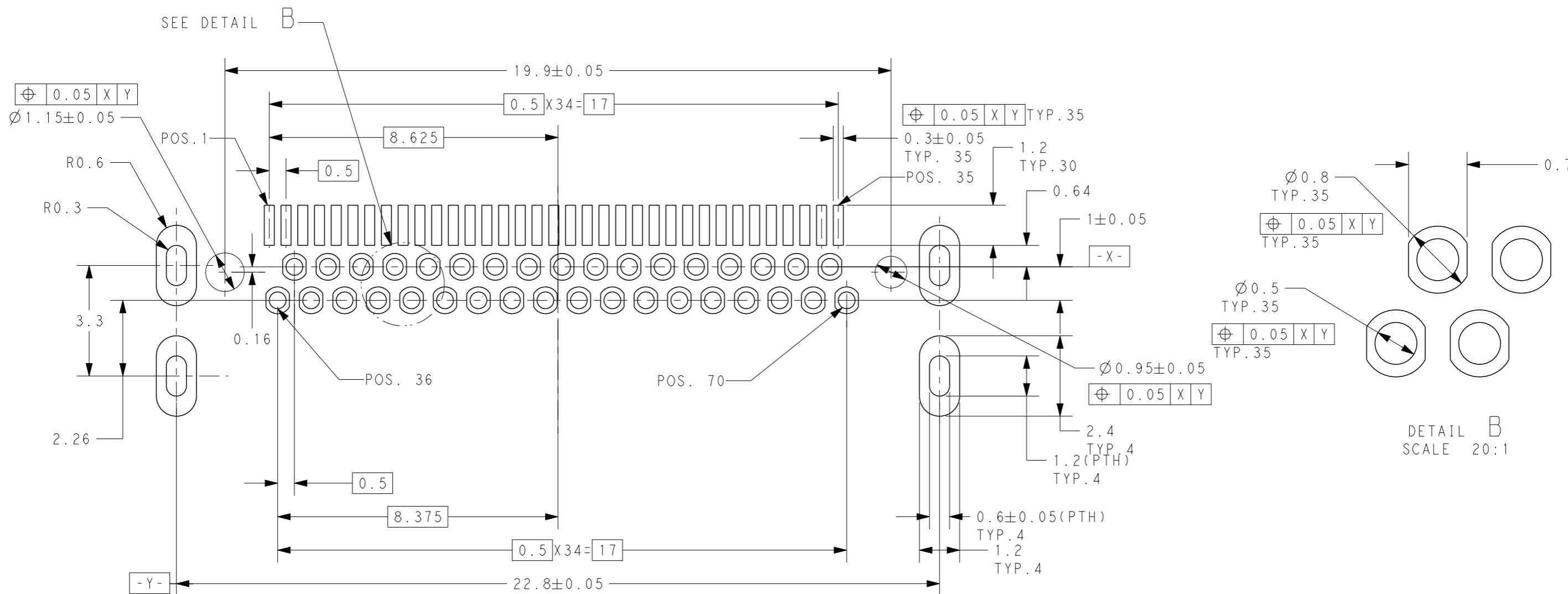
DIMENSIONS: mm	TOLERANCES UNLESS OTHERWISE SPECIFIED:
⊕	0 PLC ±0.25
	1 PLC ±0.25
	2 PLC ±0.25
	3 PLC ±0.25
	4 PLC ±0.25
MATERIAL	ANGLES ±1°
	FINISH

DWN	-
CHK	-
APVD	-
PRODUCT SPEC	-
APPLICATION SPEC	-
WEIGHT	-
CUSTOMER DRAWING	-




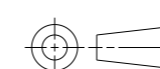
NAME HEADER ASSEMBLY 0.5CL 70POS. DOCKING CONNECTOR				RESTRICTED TO
SIZE A3	CAGE CODE 00779	DRAWING NO G-2129390		
SCALE 2:1	SHEET 2	OF 4	REV A3	

P	LTR	DESCRIPTION	DATE	DWN	APVD
-	-	SEE SHEET 1	-	-	-



RECOMMEND PCB LAYOUT  
SCALE 8:1 (GENERAL TOLERANCE: ±0.1)

INFORMATION IS TE CONFIDENTIAL & PROPRIETARY

THIS DRAWING IS A CONTROLLED DOCUMENT.		DWN	 TE Connectivity			
DIMENSIONS: mm		CHK				
		APVD				
TOLERANCES UNLESS OTHERWISE SPECIFIED:		PRODUCT SPEC				
0 PLC ±0.25 1 PLC ±0.25 2 PLC ±0.25 3 PLC ±0.25 4 PLC ±0.25 ANGLES ±5°		APPLICATION SPEC	NAME HEADER ASSEMBLY 0.5CL 70POS. DOCKING CONNECTOR			
MATERIAL		WEIGHT	SIZE	CAGE CODE	DRAWING NO	RESTRICTED TO
FINISH		CUSTOMER DRAWING	A3	00779	G-2129390	-
		SCALE	SHEET		OF	REV
		2:1	3		4	A3

THIS DRAWING IS UNPUBLISHED.

RELEASED FOR PUBLICATION

20

© COPYRIGHT 20 BY -

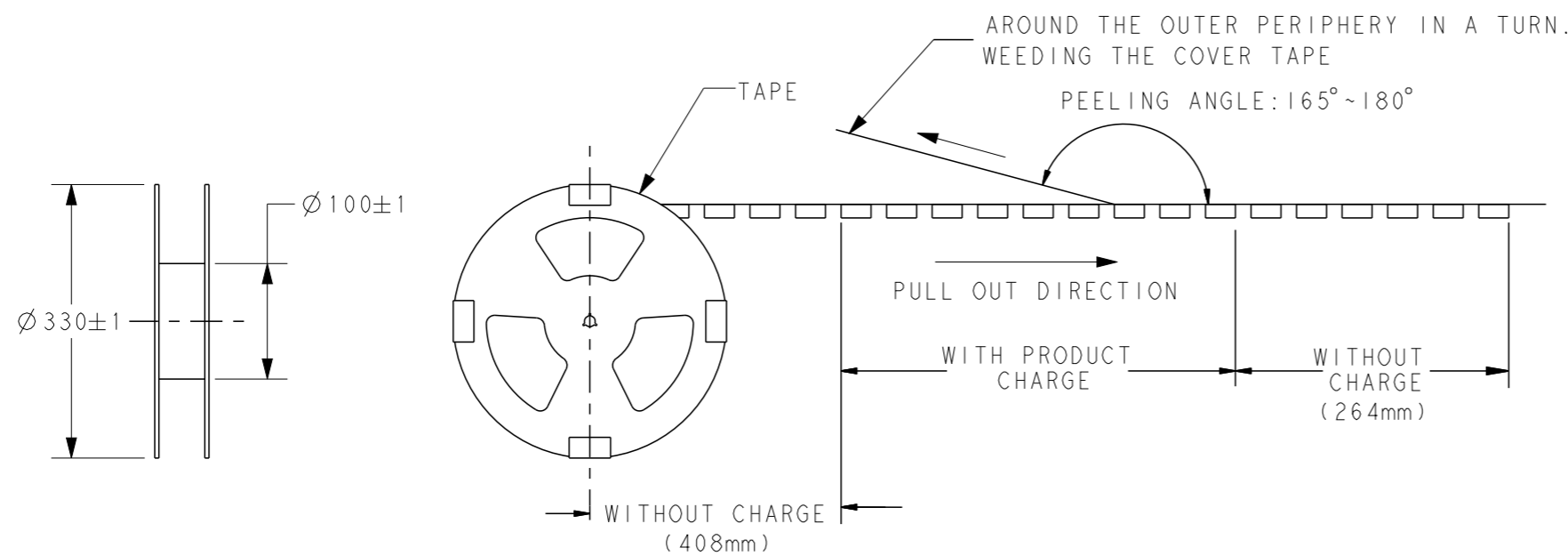
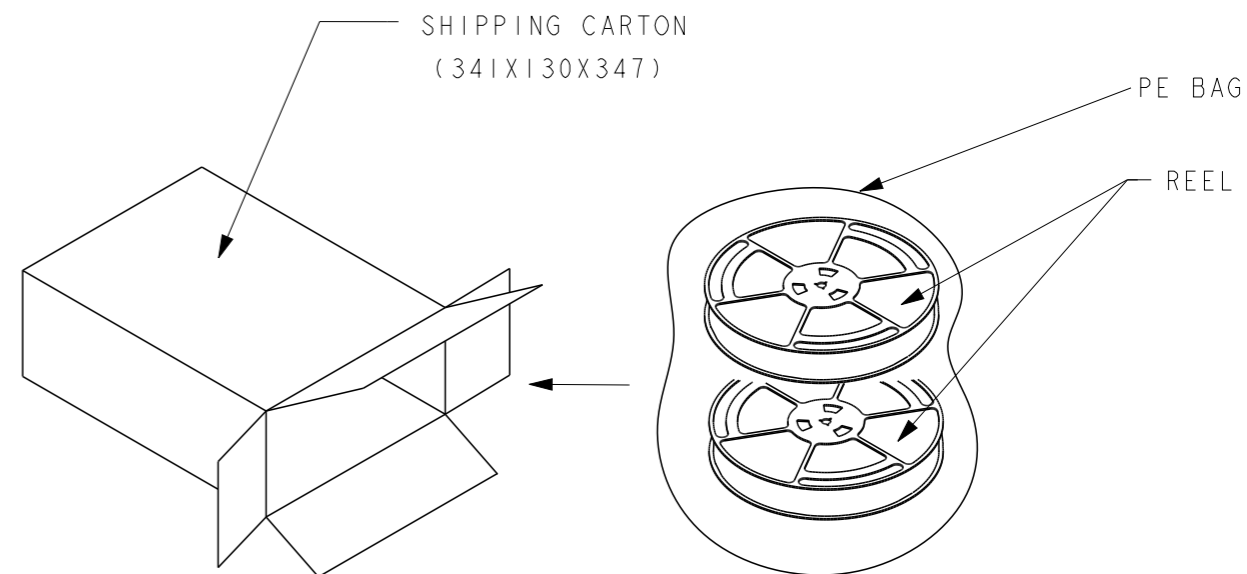
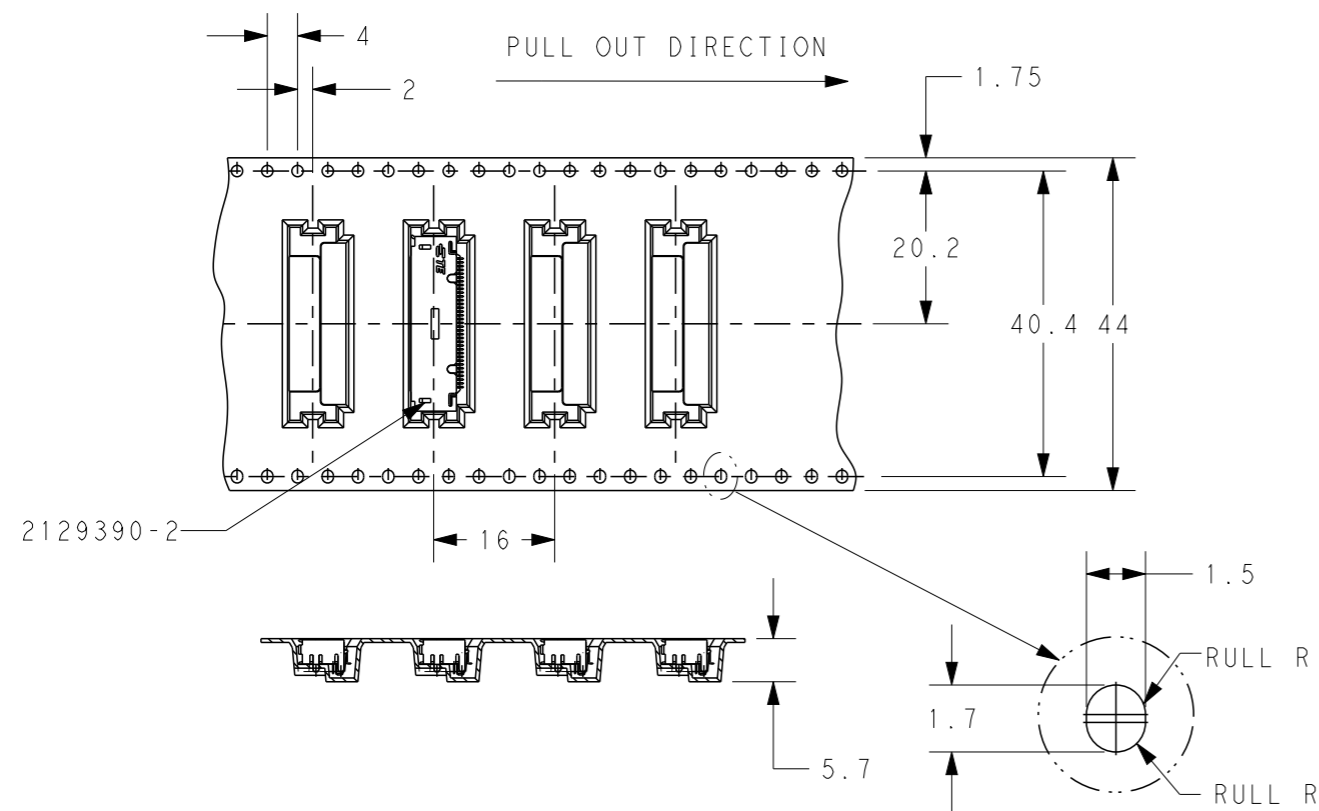
ALL RIGHTS RESERVED.

LOC  
DW

DIST  
-

REVISIONS

P	LTR	DESCRIPTION	DATE	DWN	APVD
-	-	SEE SHEET 1	-	-	-



- 4. PACKING MATERIAL:  
CARRY TAPE: PS; COLOR: CLEAR.  
COVER TAPE: PET; COLOR: SMOKE.
- 5. PEELING STRENGTH OF COVER TAPE: 0.2N~1.2N

2129390-1	600	2	1200
P/N	PCS/TAPE	REELS/CARTON	TOTAL QUANTITY

INFORMATION IS TE CONFIDENTIAL & PROPRIETARY

THIS DRAWING IS A CONTROLLED DOCUMENT.

DIMENSIONS:	TOLERANCES UNLESS OTHERWISE SPECIFIED:
mm	
0 PLC	± 0.25
1 PLC	± 0.25
2 PLC	± 0.25
3 PLC	± 0.25
4 PLC	± 0.25
ANGLES	± 5°
MATERIAL	FINISH

DWN	-
CHK	-
APVD	-
PRODUCT SPEC	-
APPLICATION SPEC	-
WEIGHT	-
CUSTOMER DRAWING	-

**STE** TE Connectivity

NAME: HEADER ASSEMBLY  
0.5CL 70POS. DOCKING CONNECTOR

SIZE	CAGE CODE	DRAWING NO	RESTRICTED TO
A3	00779	2129390	-

SCALE: 2:1 SHEET 4 OF 4 REV A3