



Chipsmall Limited consists of a professional team with an average of over 10 year of expertise in the distribution of electronic components. Based in Hongkong, we have already established firm and mutual-benefit business relationships with customers from,Europe,America and south Asia,supplying obsolete and hard-to-find components to meet their specific needs.

With the principle of "Quality Parts,Customers Priority,Honest Operation,and Considerate Service",our business mainly focus on the distribution of electronic components. Line cards we deal with include Microchip,ALPS,ROHM,Xilinx,Pulse,ON,Everlight and Freescale. Main products comprise IC,Modules,Potentiometer,IC Socket,Relay,Connector.Our parts cover such applications as commercial,industrial, and automotives areas.

We are looking forward to setting up business relationship with you and hope to provide you with the best service and solution. Let us make a better world for our industry!



Contact us

Tel: +86-755-8981 8866 Fax: +86-755-8427 6832

Email & Skype: info@chipsmall.com Web: www.chipsmall.com

Address: A1208, Overseas Decoration Building, #122 Zhenhua RD., Futian, Shenzhen, China



LOC DW

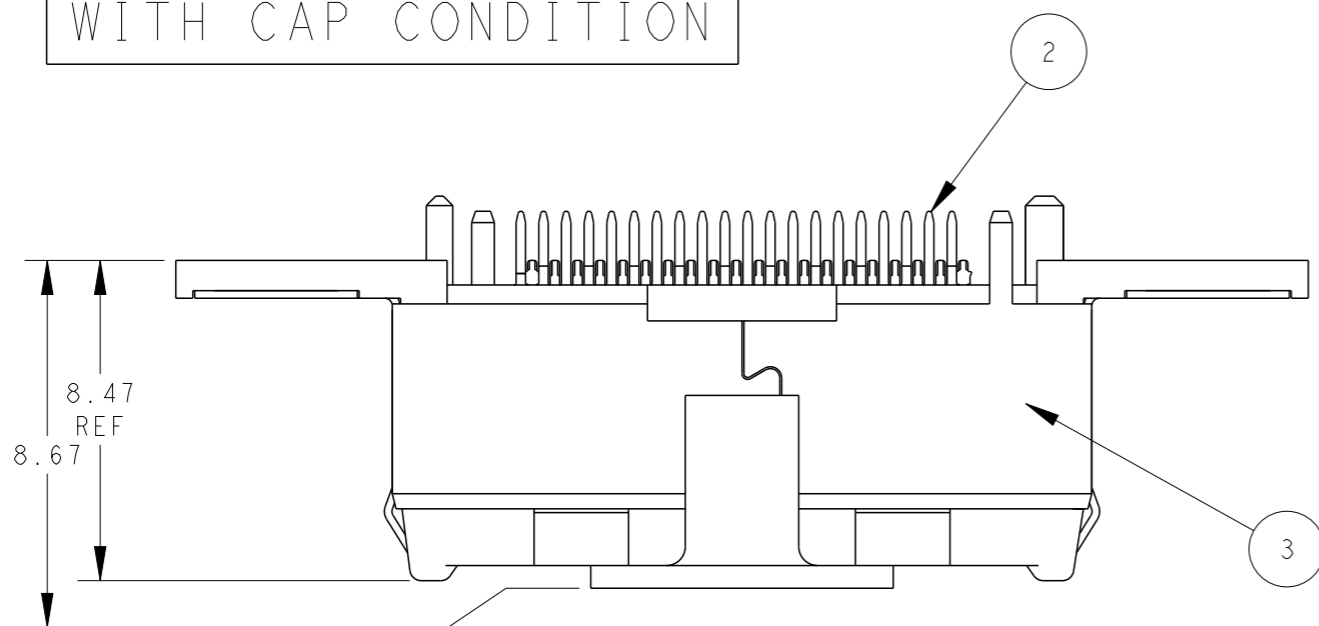
DIST

REVISIONS

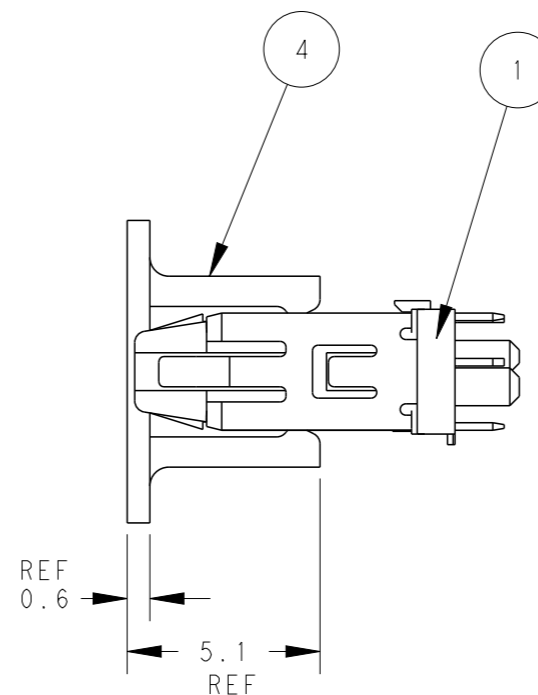
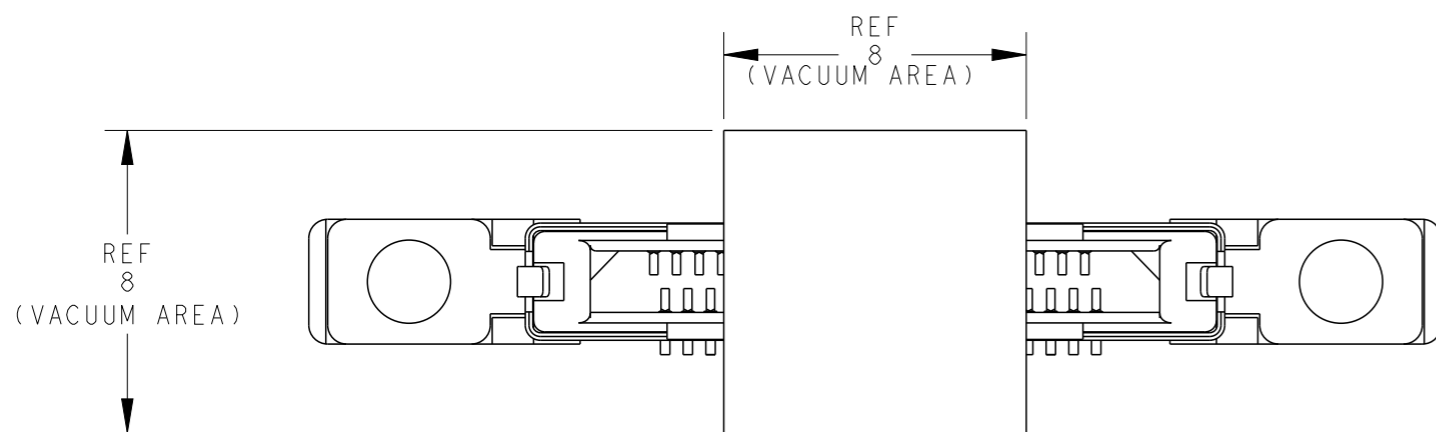
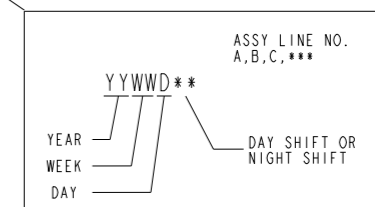
P	LTR	DESCRIPTION	DATE	DWN	APVD
	A	RELEASED	09MAY2012	P. H	H. K

WITH CAP CONDITION

2129454-1; AS SHOWN



- ① MATERIAL: HOUSING: THERMO-PLASTIC(UL94V-0, BLACK).
CONTACT: COPPER ALLOY.
SHELL: COPPER ALLOY.
CAP: THERMO-PLASTIC(UL94V-0, BLACK).
- ② FINISH:
CONTACT: ALL OVER 2um MIN. Ni UNDER PLATING.
0.38um MIN. Au PLATING ON CONTACT AREA.
1~3um Tin PLATING ON TINE AREA.
SHELL: ALL OVER 1.3um MIN. Ni UNDER PLATING.
- ③ DATE CODE



Q'TY	NAME	ITEM
1	CAP	④
1	SHELL	③
40	CONTACT	②
1	HOUSING	①

THIS DRAWING IS A CONTROLLED DOCUMENT.

DIMENSIONS:	TOLERANCES UNLESS OTHERWISE SPECIFIED:
mm	
	① PLC ±
	② PLC ± ± 0.25
	③ PLC ±
	④ PLC ±
ANGLES	±3°
MATERIAL ①	FINISH ②

DWN	P. HSU	09MAY2012
CHK	M. CHAO	09MAY2012
APVD	H. KODAMA	09MAY2012
PRODUCT SPEC	-	
APPLICATION SPEC	-	
WEIGHT	1.06	
CUSTOMER DRAWING		

STE TE Connectivity

NAME: PLUG ASSY, 0.6mm PITCH
CHAMP DOCKING CONNECTOR, 40POS

SIZE	CAGE CODE	DRAWING NO	RESTRICTED TO
A3	00779	C-2129454	-

SCALE 5:1 SHEET 1 OF 5 REV A

LOC
DW

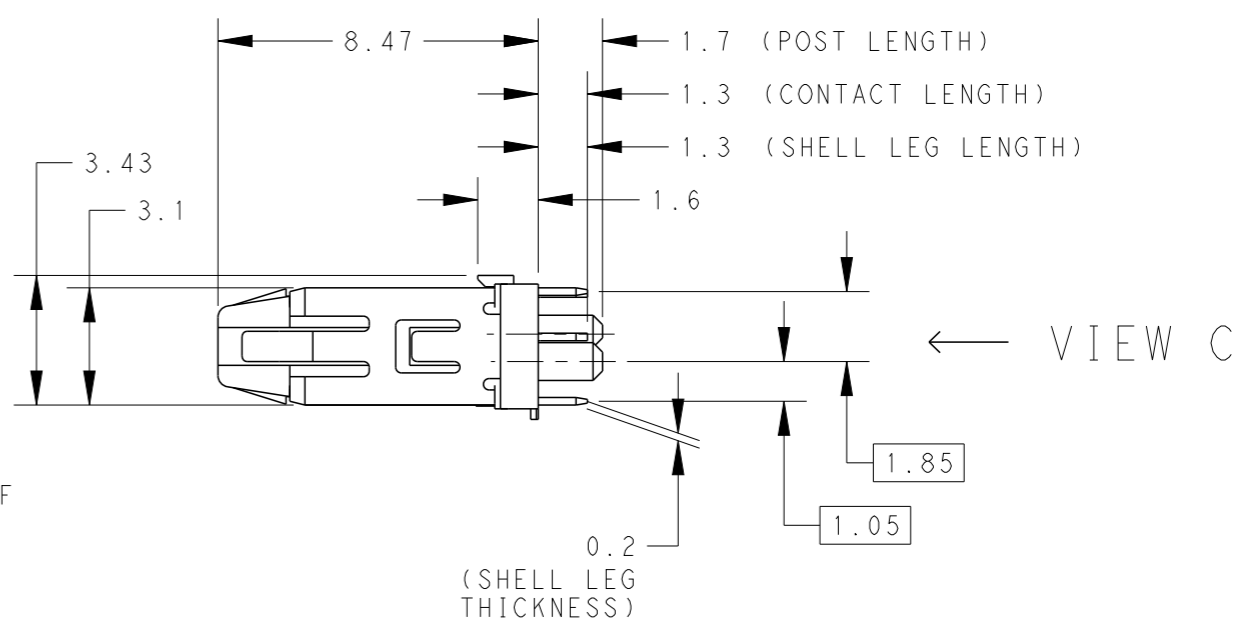
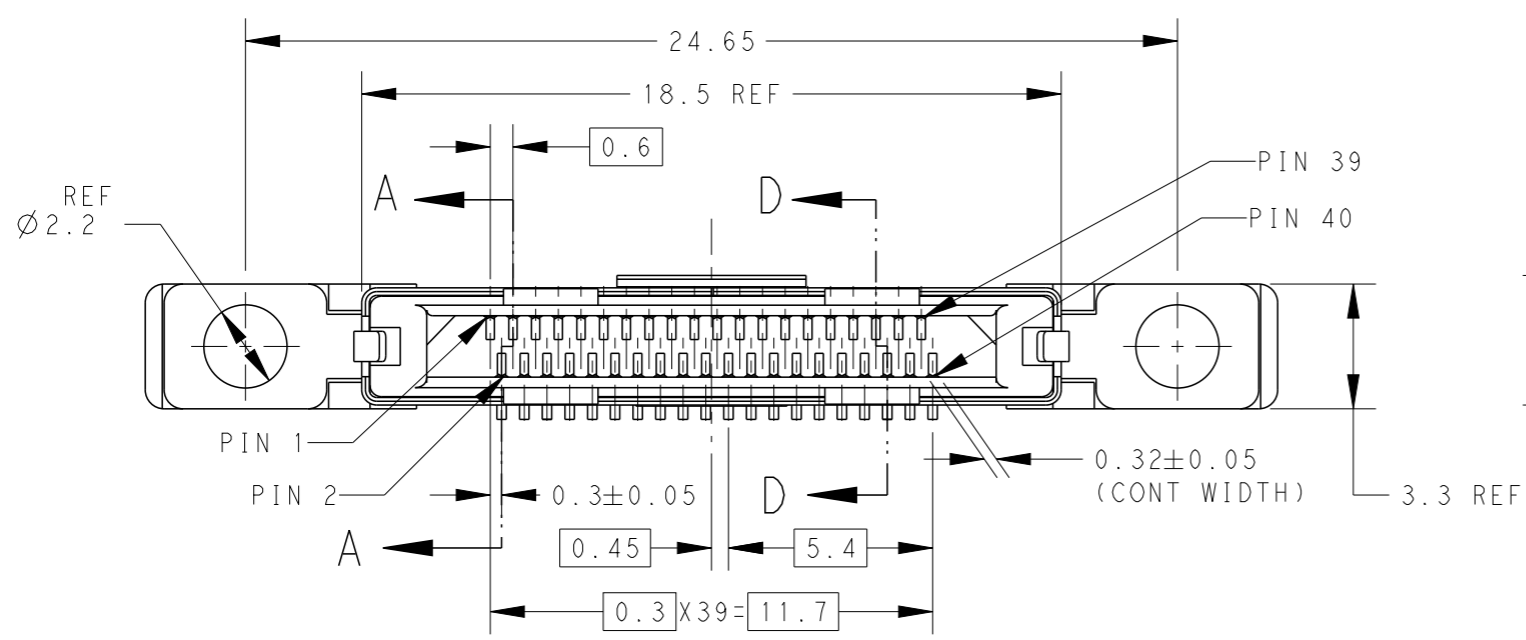
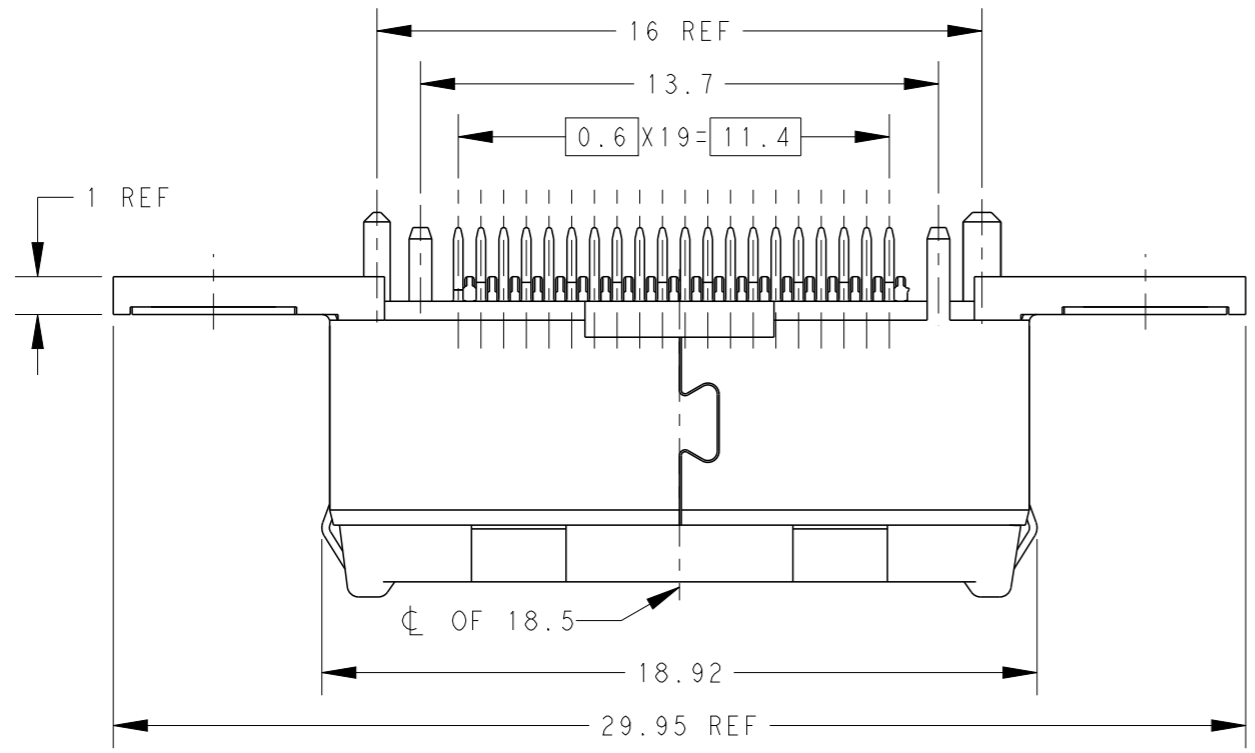
DIST

REVISIONS

P	LTR	DESCRIPTION	DATE	DWN	APVD
-	-	SEE SHEET 1	-	-	-


2129454-1; AS SHOWN

W/O CAP CONDITION

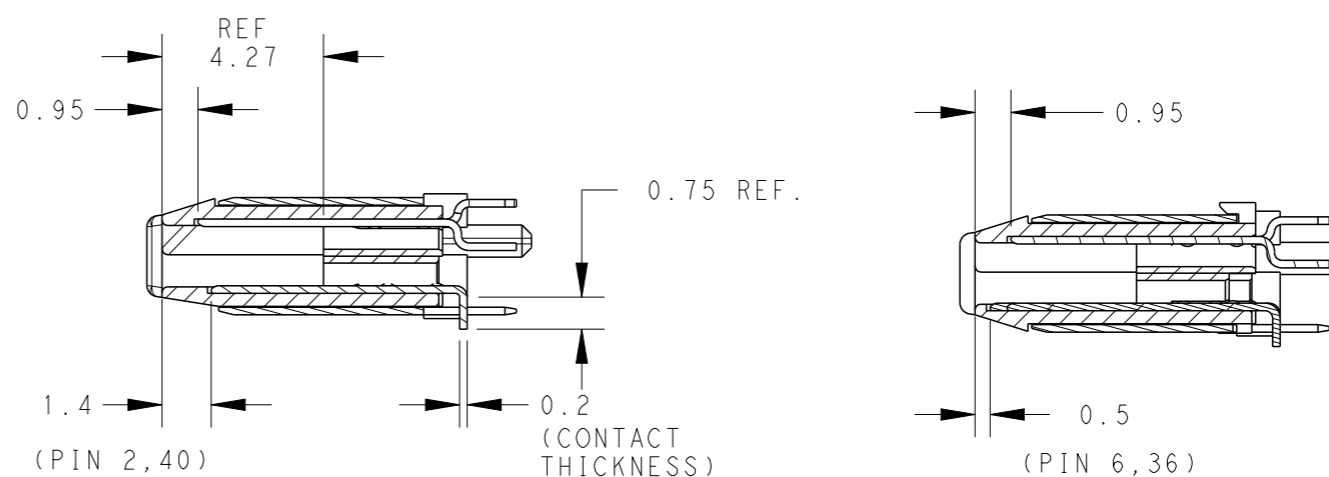
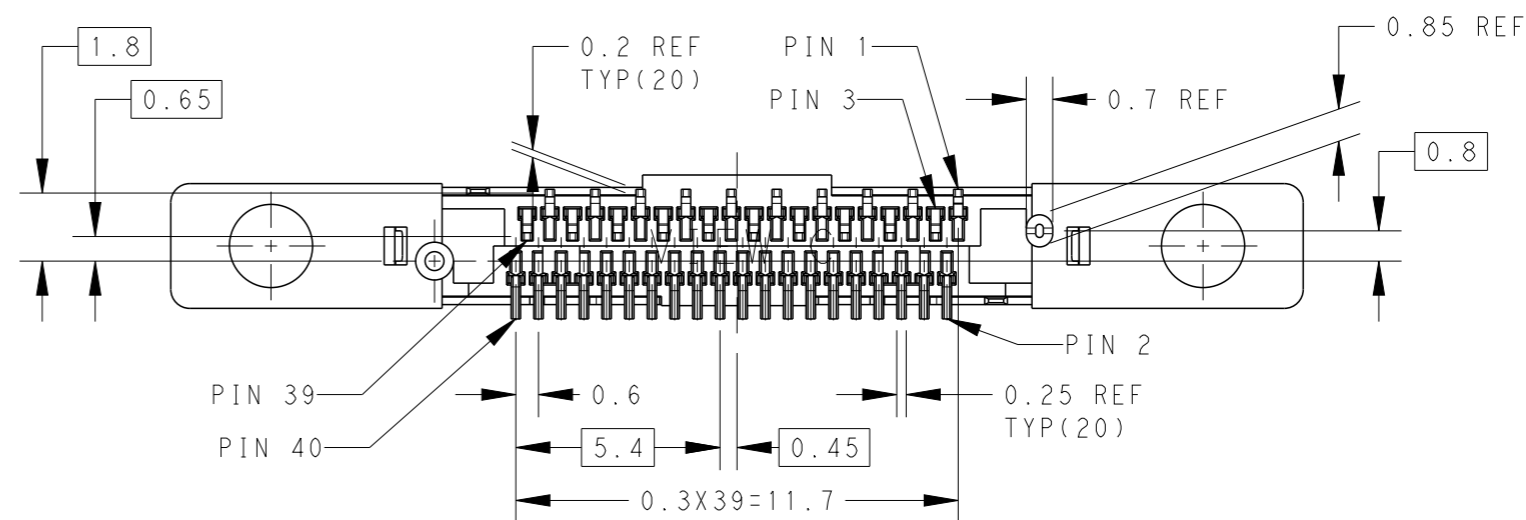
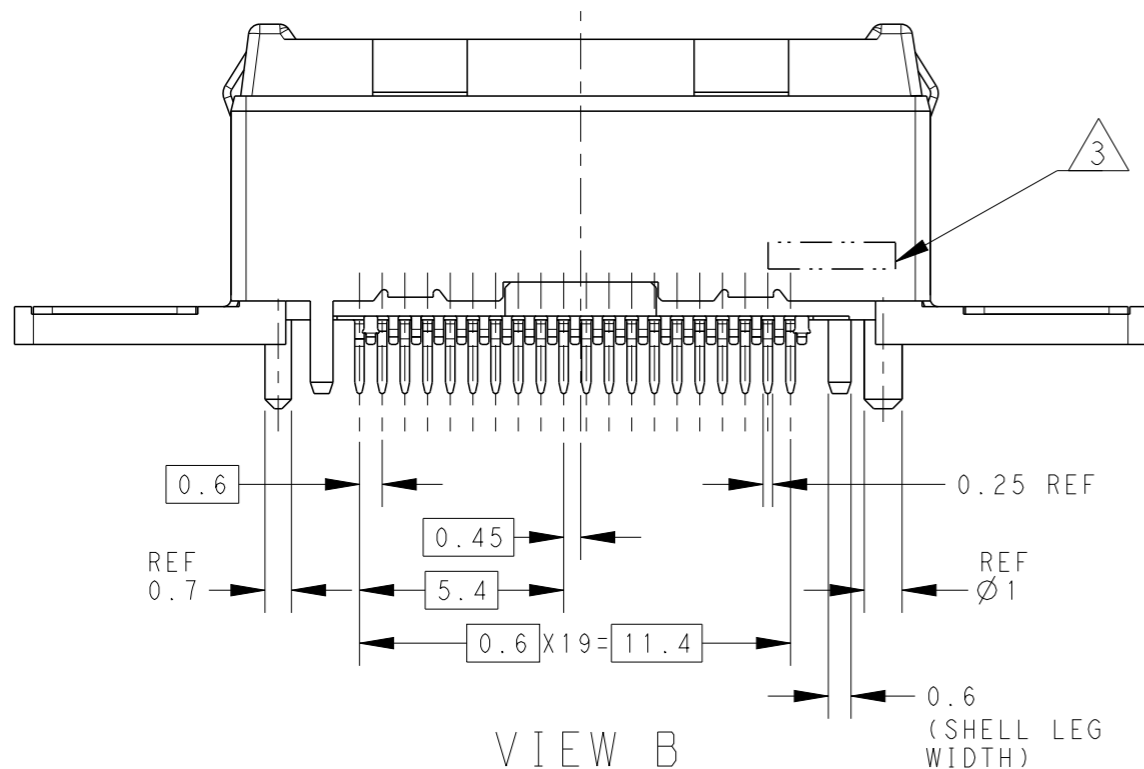


VIEW B

VIEW C

THIS DRAWING IS A CONTROLLED DOCUMENT.		DWN	-	 TE Connectivity	NAME PLUG ASSY, 0.6mm PITCH CHAMP DOCKING CONNECTOR, 40POS
DIMENSIONS: mm		CHK	-		
TOLERANCES UNLESS OTHERWISE SPECIFIED: 0 PLC ± 1 PLC ± 2 PLC ± ±0.25 3 PLC ± 4 PLC ± ANGLES ±3° FINISH -		APVD	-		
MATERIAL		PRODUCT SPEC	-		
		APPLICATION SPEC	-	SIZE	A3
		WEIGHT	-	CAGE CODE	00779
		CUSTOMER DRAWING	-	DRAWING NO	2129454
				RESTRICTED TO	-
				SCALE	5:1
				SHEET	2 OF 5
				REV	A

P	LTR	DESCRIPTION	DATE	DWN	APVD
-	-	SEE SHEET 1	-	-	-

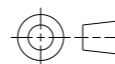


SECTION A - A

SECTION D - D

THIS DRAWING IS A CONTROLLED DOCUMENT.

DIMENSIONS:
mm



TOLERANCES UNLESS OTHERWISE SPECIFIED:

Ø PLC	±
1 PLC	±
2 PLC	± 0.25
3 PLC	±
4 PLC	±
ANGLES	±3°
FINISH	-

MATERIAL

DWN	-
CHK	-
APVD	-
PRODUCT SPEC	-
APPLICATION SPEC	-
WEIGHT	-



TE Connectivity

NAME
PLUG ASSY, 0.6mm PITCH
CHAMP DOCKING CONNECTOR, 40POS

SIZE	CAGE CODE	DRAWING NO	RESTRICTED TO
------	-----------	------------	---------------

A300779 C-2129454

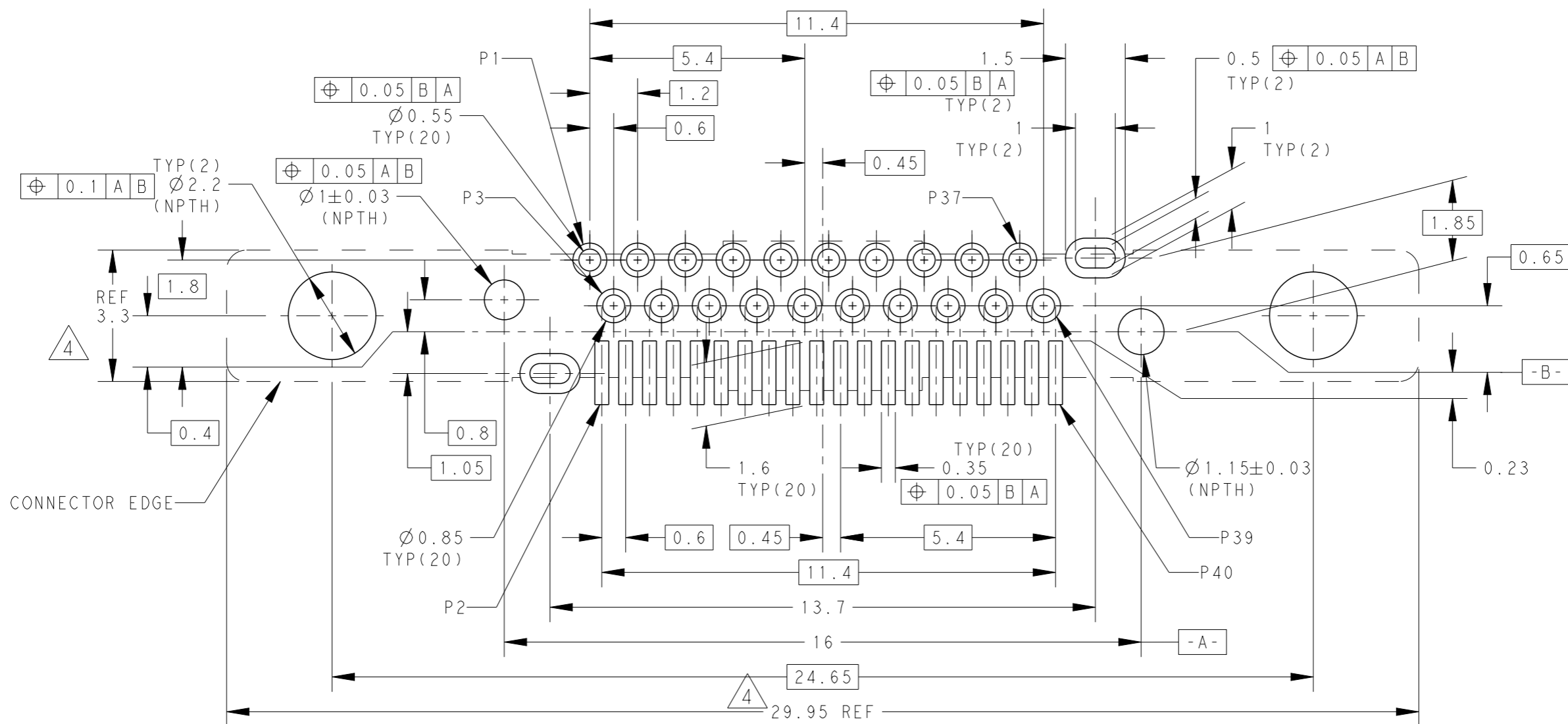
CUSTOMER DRAWING

SCALE 5:1

SHEET 3 OF 5

REV A

P	LTR	DESCRIPTION	DATE	DWN	APVD
-	-	SEE SHEET 1	-	-	-

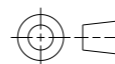


REFERENCE P.C. BOARD LAYOUT (TOP VIEW)

△ CONNECTOR OUTLINE

THIS DRAWING IS A CONTROLLED DOCUMENT.

DIMENSIONS:
mm



TOLERANCES UNLESS OTHERWISE SPECIFIED:

Ø PLC	±
1 PLC	±
2 PLC	± ± 0.05
3 PLC	±
4 PLC	±
ANGLES	±3°
FINISH	-

MATERIAL

DWN	-
CHK	-
APVD	-
PRODUCT SPEC	-
APPLICATION SPEC	-
WEIGHT	-
CUSTOMER DRAWING	-



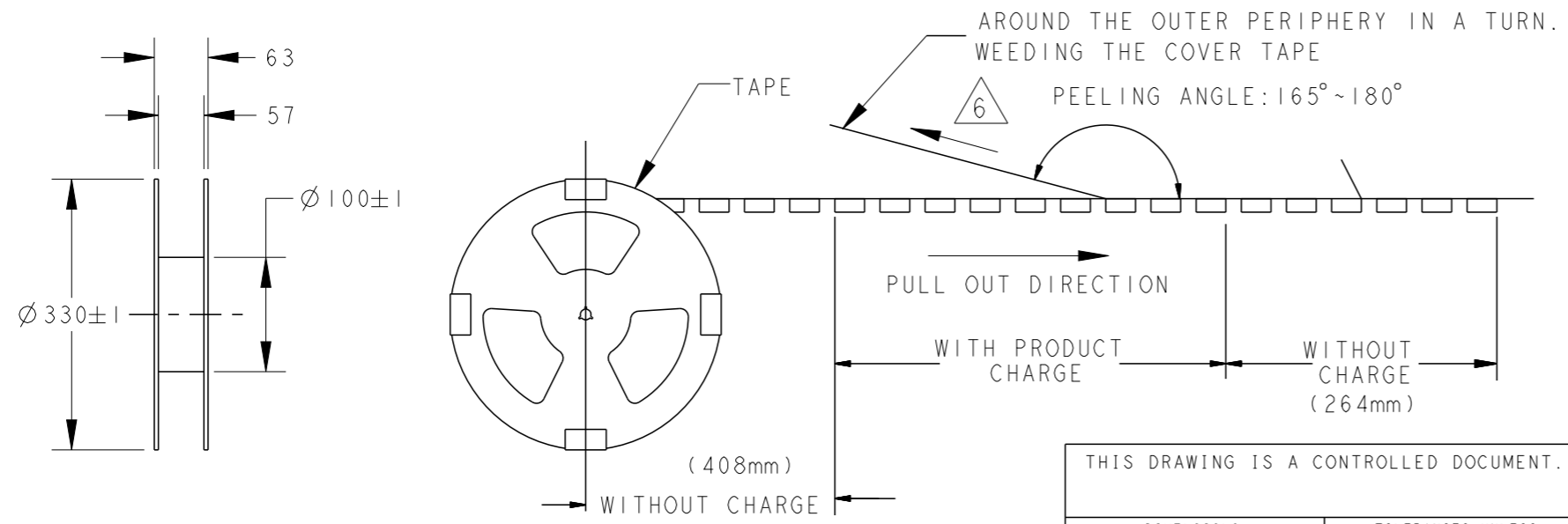
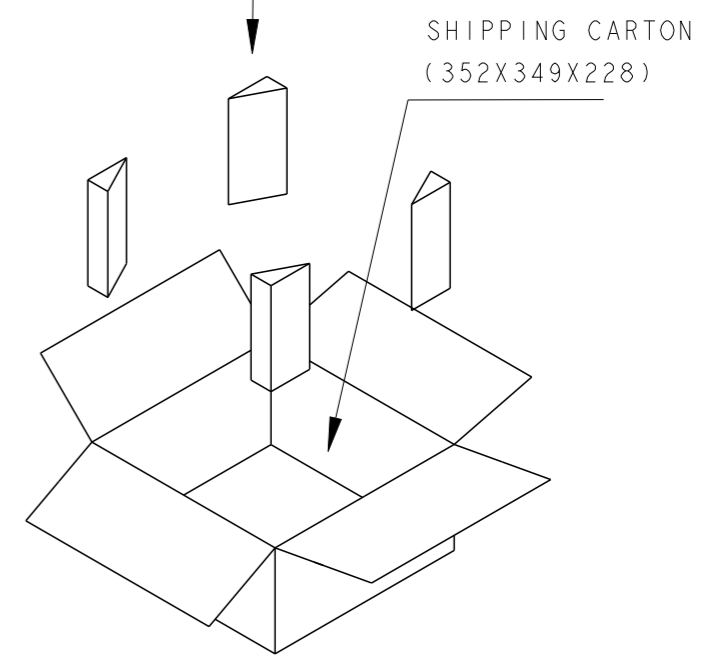
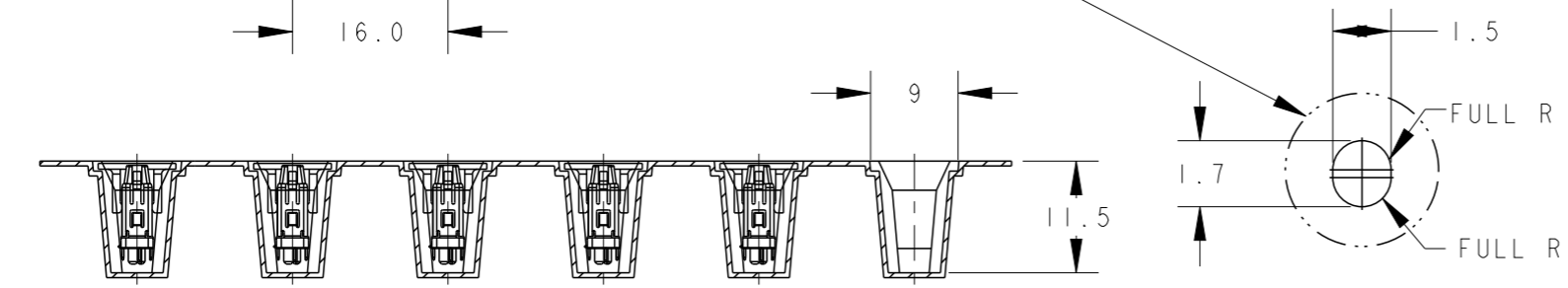
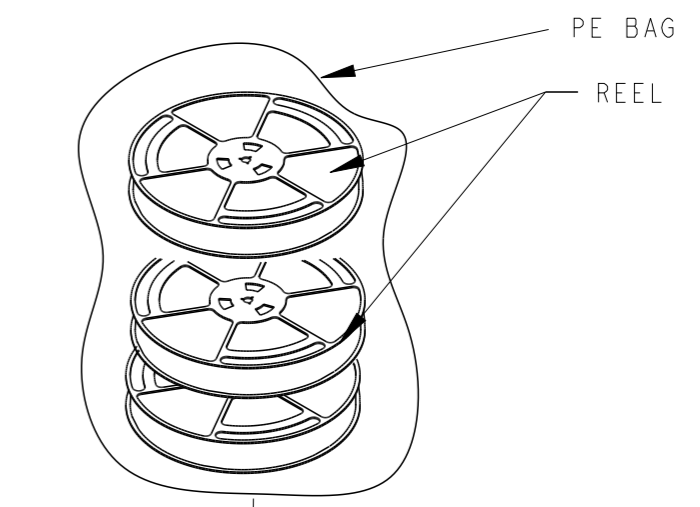
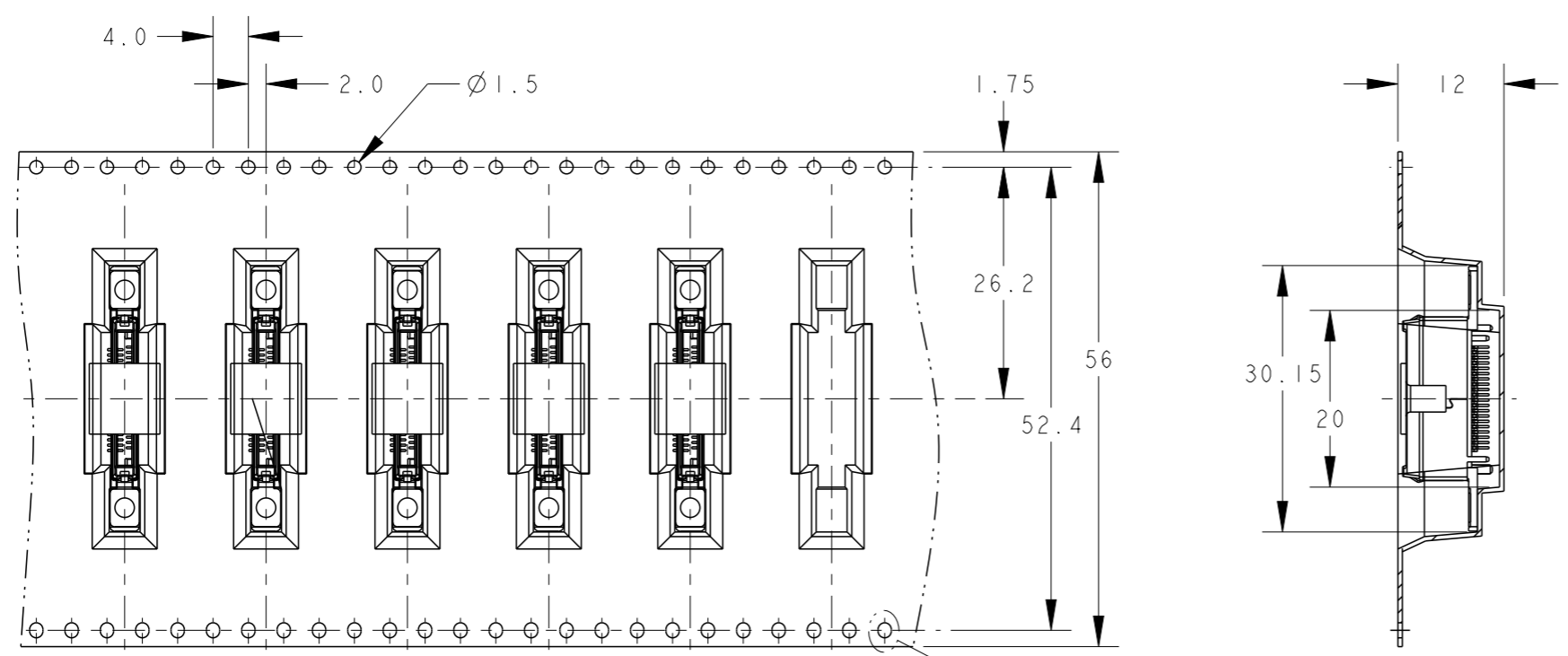
NAME
PLUG ASSY, 0.6mm PITCH
CHAMP DOCKING CONNECTOR, 40POS

SIZE	CAGE CODE	DRAWING NO	RESTRICTED TO
A3	00779	C-2129454	-

SCALE	SHEET	OF	REV
8:1	4	5	A

THIS DRAWING IS UNPUBLISHED. RELEASED FOR PUBLICATION 20
 © COPYRIGHT 20 BY - ALL RIGHTS RESERVED.

LOC		DIST		REVISIONS					
DW				P	LTR	DESCRIPTION	DATE	DWN	APVD
				-	-	SEE SHEET 1	-	-	-



5. PACKING MATERIAL:
 CARRY TAPE: PS; COLOR:BLACK.
 COVER TAPE: PET; COLOR: CLEAR.
 PEELING STRENGTH OF COVER TAPE: 0.2N~1.2N

300	3	900
PCS/ TAPE	REELS/ CARTON	TOTAL QUANTITY

THIS DRAWING IS A CONTROLLED DOCUMENT.		DWN	TE Connectivity PLUG ASSY, 0.6mm PITCH CHAMP DOCKING CONNECTOR, 40POS				
DIMENSIONS: mm		CHK					
TOLERANCES UNLESS OTHERWISE SPECIFIED:		APVD					
Ø PLC ± 1 PLC ± 2 PLC ± ±0.5 3 PLC ± 4 PLC ± ANGLES ±3° MATERIAL FINISH		PRODUCT SPEC					
MATERIAL		APPLICATION SPEC	NAME	SIZE	CAGE CODE	DRAWING NO	RESTRICTED TO
		WEIGHT	A300779		C-2129454		
CUSTOMER DRAWING		SCALE	5:1		SHEET	5 OF 5	REV A