



Chipsmall Limited consists of a professional team with an average of over 10 year of expertise in the distribution of electronic components. Based in Hongkong, we have already established firm and mutual-benefit business relationships with customers from,Europe,America and south Asia,supplying obsolete and hard-to-find components to meet their specific needs.

With the principle of “Quality Parts,Customers Priority,Honest Operation,and Considerate Service”,our business mainly focus on the distribution of electronic components. Line cards we deal with include Microchip,ALPS,ROHM,Xilinx,Pulse,ON,Everlight and Freescale. Main products comprise IC,Modules,Potentiometer,IC Socket,Relay,Connector.Our parts cover such applications as commercial,industrial, and automotives areas.

We are looking forward to setting up business relationship with you and hope to provide you with the best service and solution. Let us make a better world for our industry!



Contact us

Tel: +86-755-8981 8866 Fax: +86-755-8427 6832

Email & Skype: info@chipsmall.com Web: www.chipsmall.com

Address: A1208, Overseas Decoration Building, #122 Zhenhua RD., Futian, Shenzhen, China

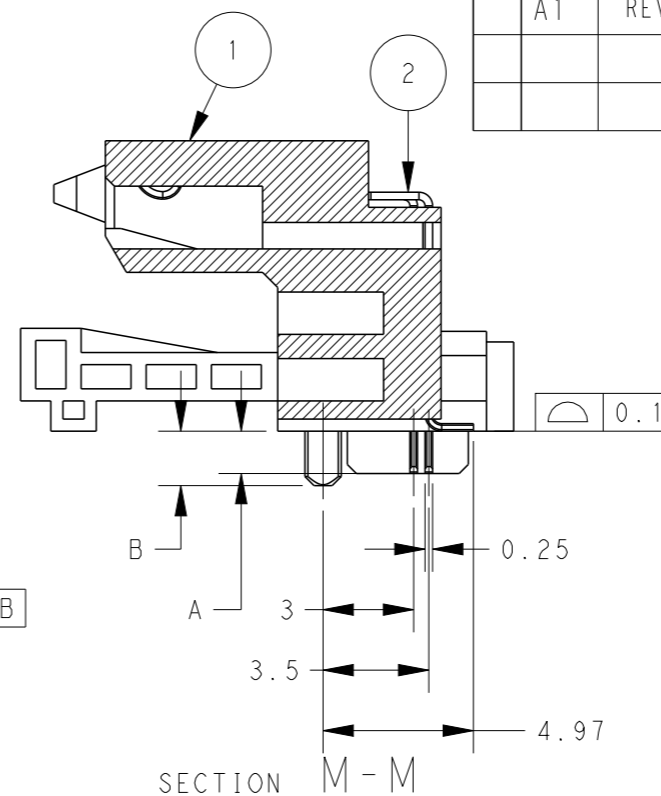
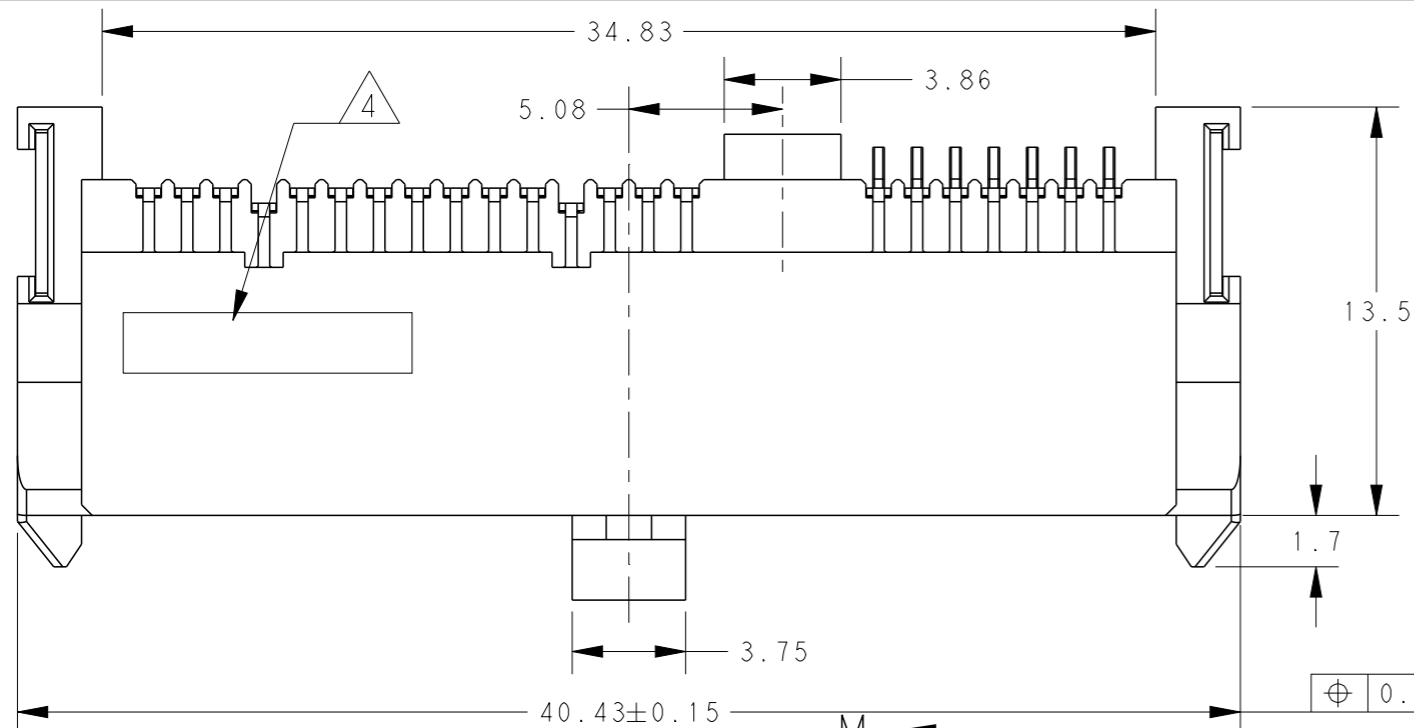


THIS DRAWING IS UNPUBLISHED. RELEASED FOR PUBLICATION 20
 © COPYRIGHT 20 BY - ALL RIGHTS RESERVED.

LOC DW DIST

REVISIONS

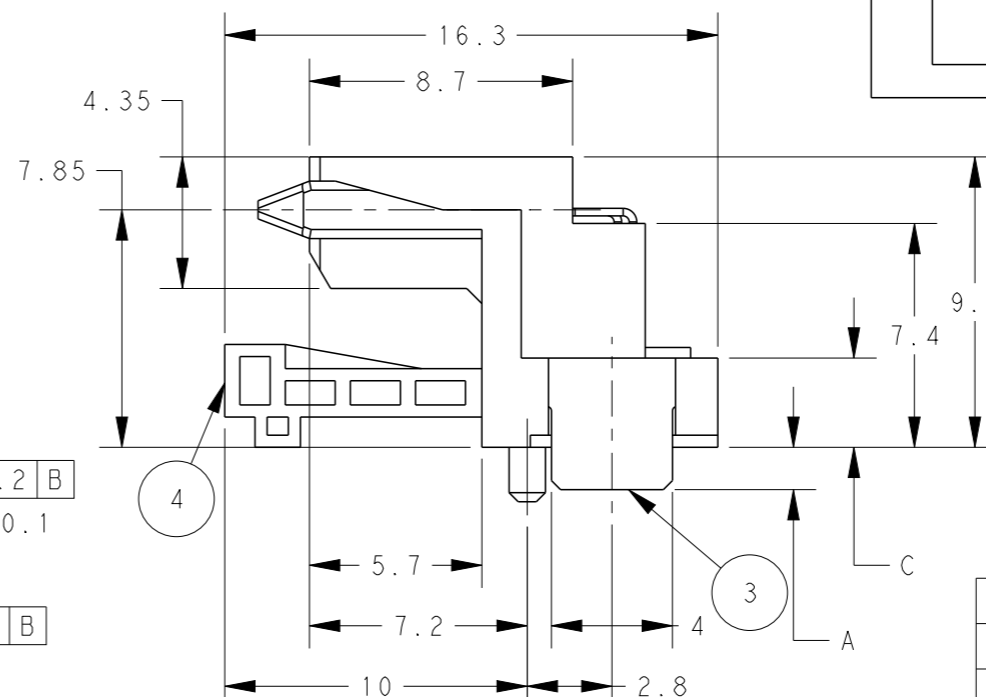
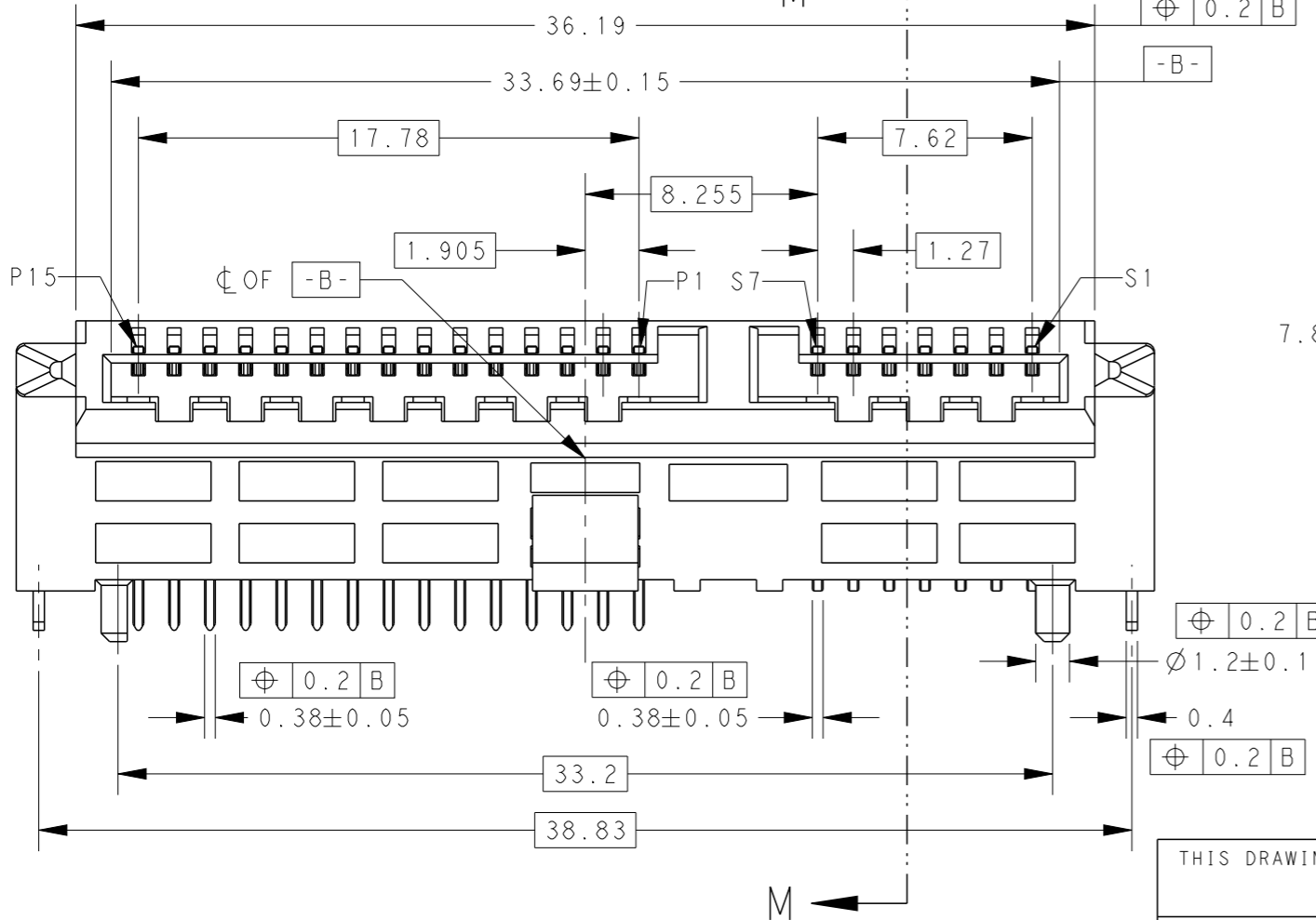
P	LTR	DESCRIPTION	DATE	DWN	APVD
	A	RELEASED	11OCT2013	W.C	V.P
	A1	REVISED(ECR-14-005112)	31MAR2014	W.C	V.P



- MATERIAL
 - ① HOUSING: HIGH TEMPERATURE THERMOPLASTIC UL94V-0, COLOR: BLACK
 - ② CONTACT: COPPER ALLOY
 - ③ LEG: COPPER ALLOY
 - ④ CAP: HIGH TEMPERATURE THERMOPLASTIC UL94V-0, COLOR: BLACK

- FINISH:
 - CONTACT: CONTACT AREA: AU PLATING 0.127um WITH LUBRICANT HM-15
 - MATTE-TIN PLATING 2.5um ON SOLDER TAILS
 - NICKEL UNDER PLATING 1.3um OVER ALL.
 - SOLDER LEG: MATTE-TIN PLATING 2.5um
 - NICKEL UNDER PLATING 1.3um OVER ALL.
- MEET HALOGEN FREE REQUIREMENT:
 - Cl: 900 ppm MAX.
 - Br: 900 ppm MAX.
 - Cl+Br: 1500 Max.

DATE CODE
 YY WW D S
 ASSY MECHINE ID
 DAY OF WEEK
 WEEK OF YEAR
 THE LAST DIGITS OF YEAR



3.65	0.9	0.7	2129571-2
2.95	1.8	1.4	2129571-1
DIM.C	DIM.B	DIM.A	PART NUMBER

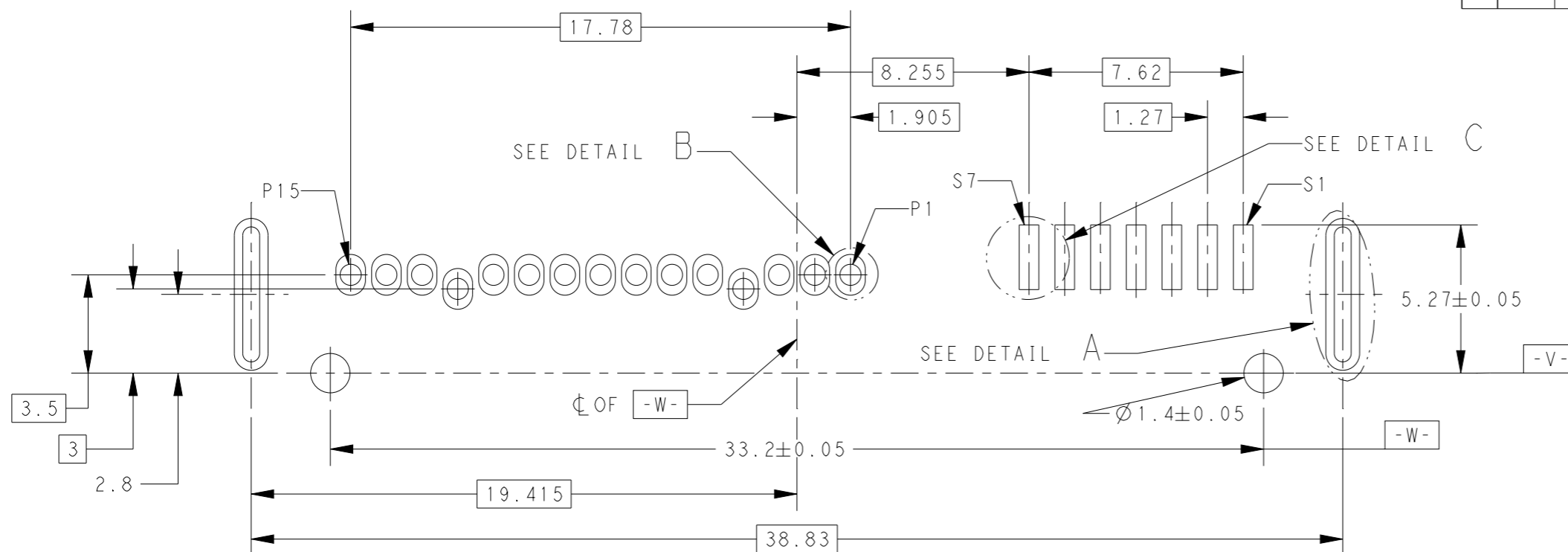
THIS DRAWING IS A CONTROLLED DOCUMENT.

DIMENSIONS:	TOLERANCES UNLESS OTHERWISE SPECIFIED:
mm	0 PLC ±0.2
	1 PLC ±0.2
	2 PLC ±0.2
	3 PLC ±0.2
	4 PLC ±0.2
	ANGLES ±5
MATERIAL	FINISH

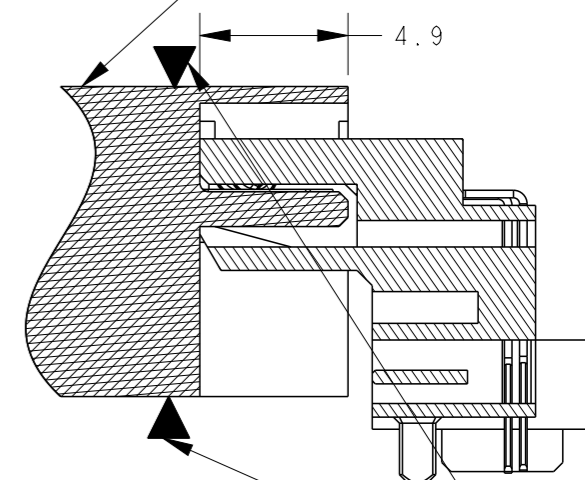
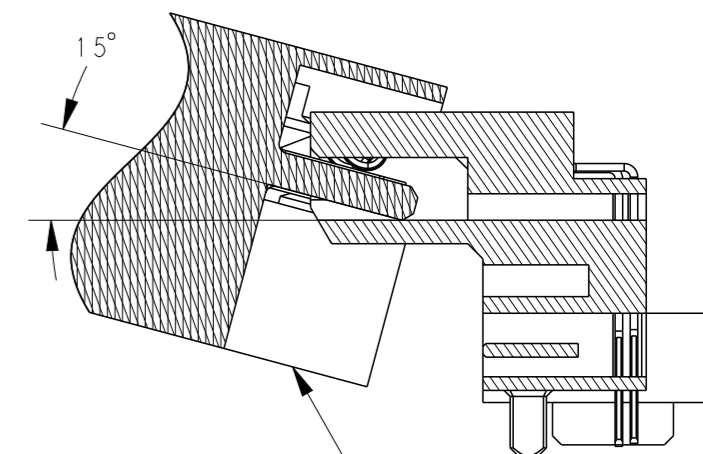
DWN	W.CHEN	31OCT12
CHK	V.PENG	31OCT12
APVD	H.KODAMA	31OCT12
PRODUCT SPEC	108-99048	
APPLICATION SPEC	501-99048	
WEIGHT		
CUSTOMER DRAWING		

TE Connectivity			
NAME REC. ASSEMBLY SLANT INSERTION SATA H7.85 6.0 GBPS			
SIZE	CAGE CODE	DRAWING NO	RESTRICTED TO
A3	00779	C-2129571	-
SCALE		SHEET	REV
4:1		1 OF 3	A1

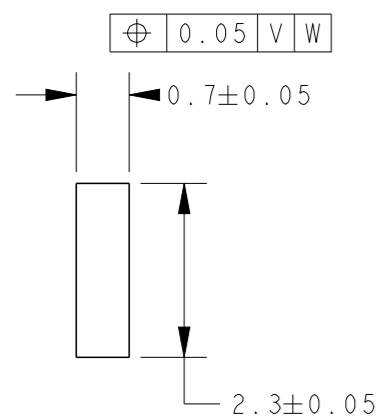
P	LTR	DESCRIPTION	DATE	DWN	APVD
-	-	SEE SHEET 1	-	-	-



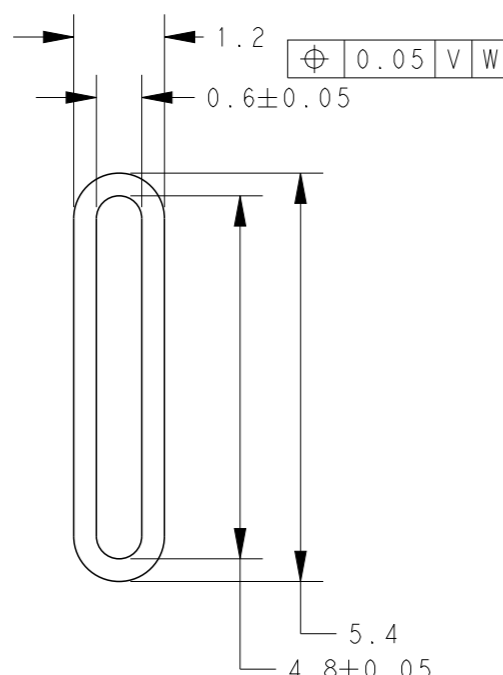
REFERENCE PCB LAYOUT
 REFERENCE PCB THICKNESS T=1.0
 SCALE 5:1



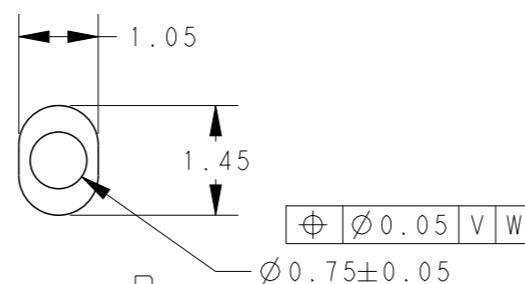
SUGGEST TO ADD SUPPORTS ON THE
 HDD NEAR THE CONNECTORS



DETAIL C
 SCALE 10:1



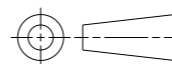
DETAIL A
 SCALE 10:1



DETAIL B
 SCALE 10:1

THIS DRAWING IS A CONTROLLED DOCUMENT.

DIMENSIONS:
 mm



TOLERANCES UNLESS OTHERWISE SPECIFIED:
 0 PLC ±0.2
 1 PLC ±0.2
 2 PLC ±0.2
 3 PLC ±0.2
 4 PLC ±0.2
 ANGLES ±5

MATERIAL

FINISH

DWN	-
CHK	-
APVD	-
PRODUCT SPEC	-
APPLICATION SPEC	-
WEIGHT	-
CUSTOMER DRAWING	-



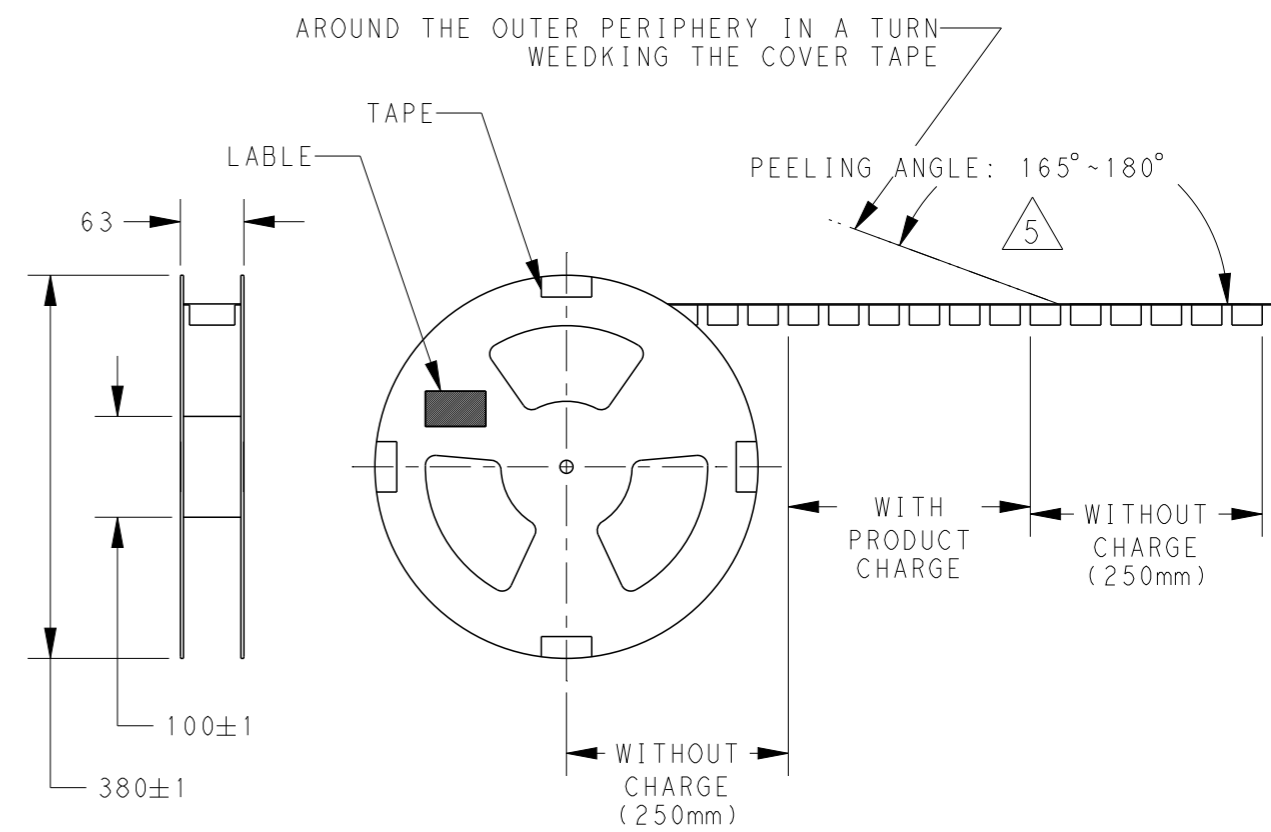
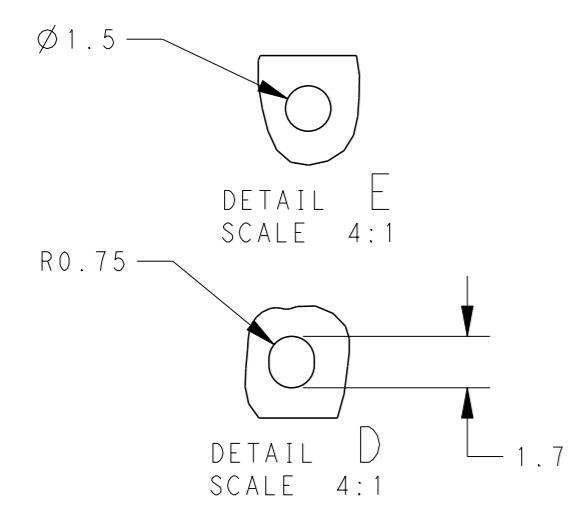
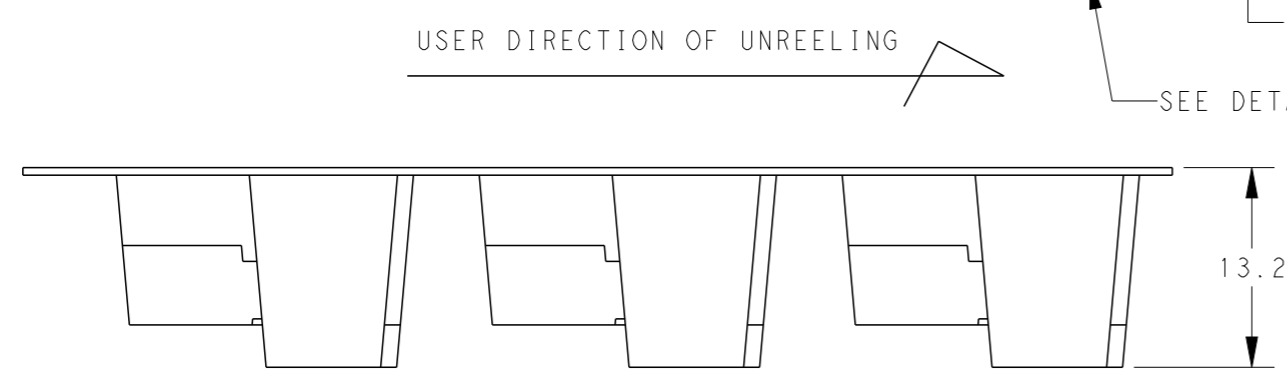
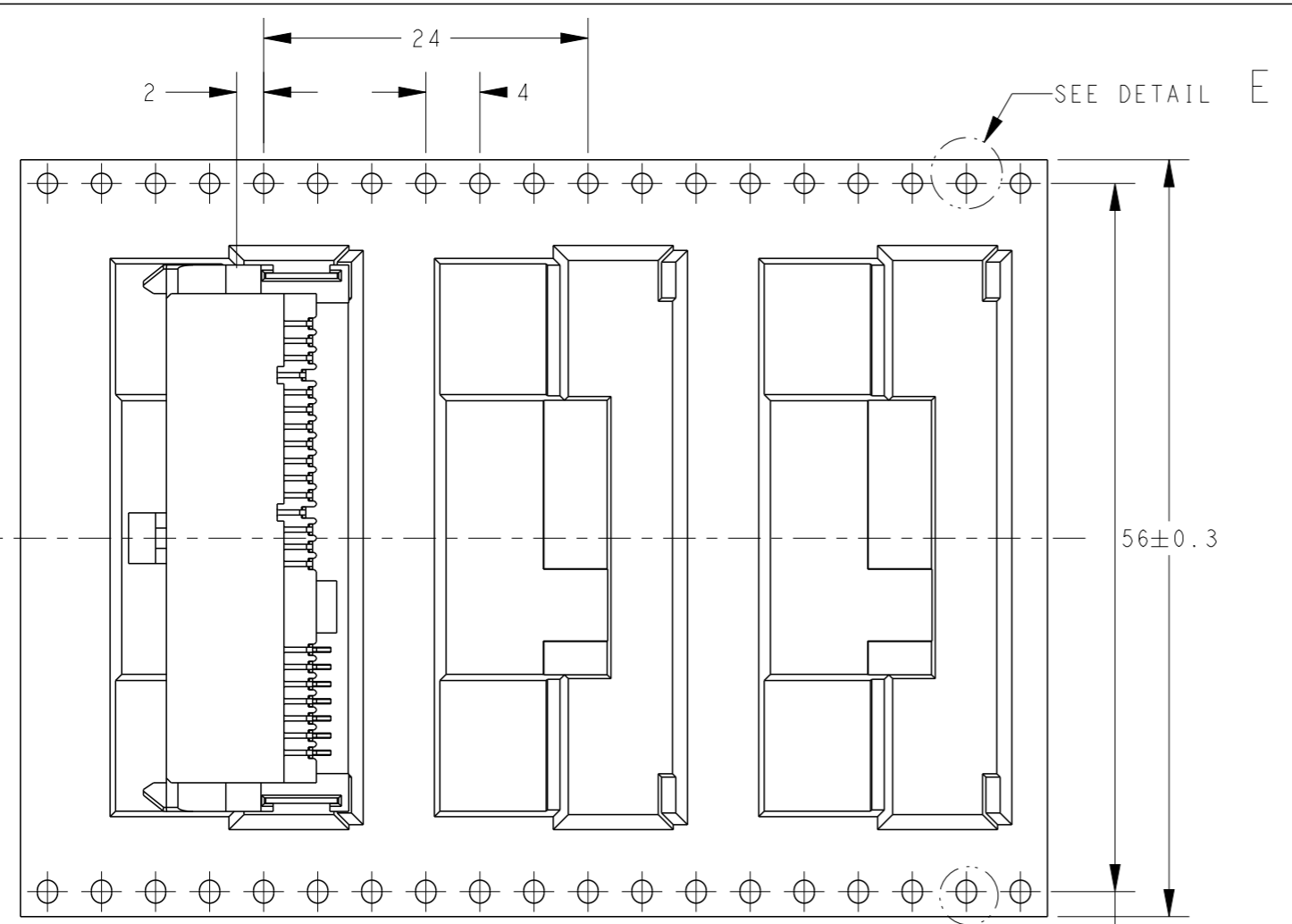
REC. ASSEMBLY
 SLANT INSERTION SATA H7.85
 6.0 GBPS

NAME	-			RESTRICTED TO	-
SIZE	CAGE CODE	DRAWING NO	-		
A3	00779	C-2129571	-		

THIS DRAWING IS UNPUBLISHED. RELEASED FOR PUBLICATION 20
 © COPYRIGHT 20 BY - ALL RIGHTS RESERVED.

LOC	DIST	REVISIONS			
P	LTR	DESCRIPTION	DATE	DWN	APVD
DW		SEE SHEET 1	-	-	-

- △ PEELING STRENGTH OF COVER TAPE: 0.2N~1.2N
- 6. PACKING MATERIAL: CARRY TAPE: PS, COLOR: CLEAR
COVER TAPE: PET, COLOR: CLEAR
- 7. QUANTITY: 280PCS/ REEL
840PCS/ BOX



THIS DRAWING IS A CONTROLLED DOCUMENT.		DWN	-	TE Connectivity	
DIMENSIONS: mm		CHK	-		
TOLERANCES UNLESS OTHERWISE SPECIFIED:		APVD	-	NAME	
0 PLC	±0.2	PRODUCT SPEC	-	REC. ASSEMBLY	
1 PLC	±0.2	APPLICATION SPEC	-	SLANT INSERTION SATA H7.85	
2 PLC	±0.2	WEIGHT	-	SIZE	A3
3 PLC	±0.2	CUSTOMER DRAWING	-	CAGE CODE	00779
4 PLC	±0.2		-	DRAWING NO	C-2129571
ANGLES	±5		-	RESTRICTED TO	-
FINISH	-		-	SCALE	N/A
			-	SHEET	3 OF 3
			-	REV	A1