



Chipsmall Limited consists of a professional team with an average of over 10 year of expertise in the distribution of electronic components. Based in Hongkong, we have already established firm and mutual-benefit business relationships with customers from,Europe,America and south Asia,supplying obsolete and hard-to-find components to meet their specific needs.

With the principle of “Quality Parts,Customers Priority,Honest Operation,and Considerate Service”,our business mainly focus on the distribution of electronic components. Line cards we deal with include Microchip,ALPS,ROHM,Xilinx,Pulse,ON,Everlight and Freescale. Main products comprise IC,Modules,Potentiometer,IC Socket,Relay,Connector.Our parts cover such applications as commercial,industrial, and automotives areas.

We are looking forward to setting up business relationship with you and hope to provide you with the best service and solution. Let us make a better world for our industry!



Contact us

Tel: +86-755-8981 8866 Fax: +86-755-8427 6832

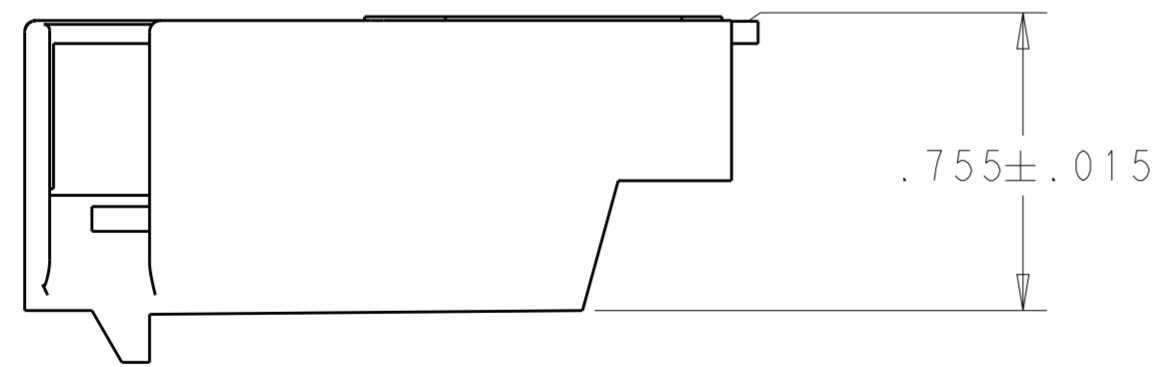
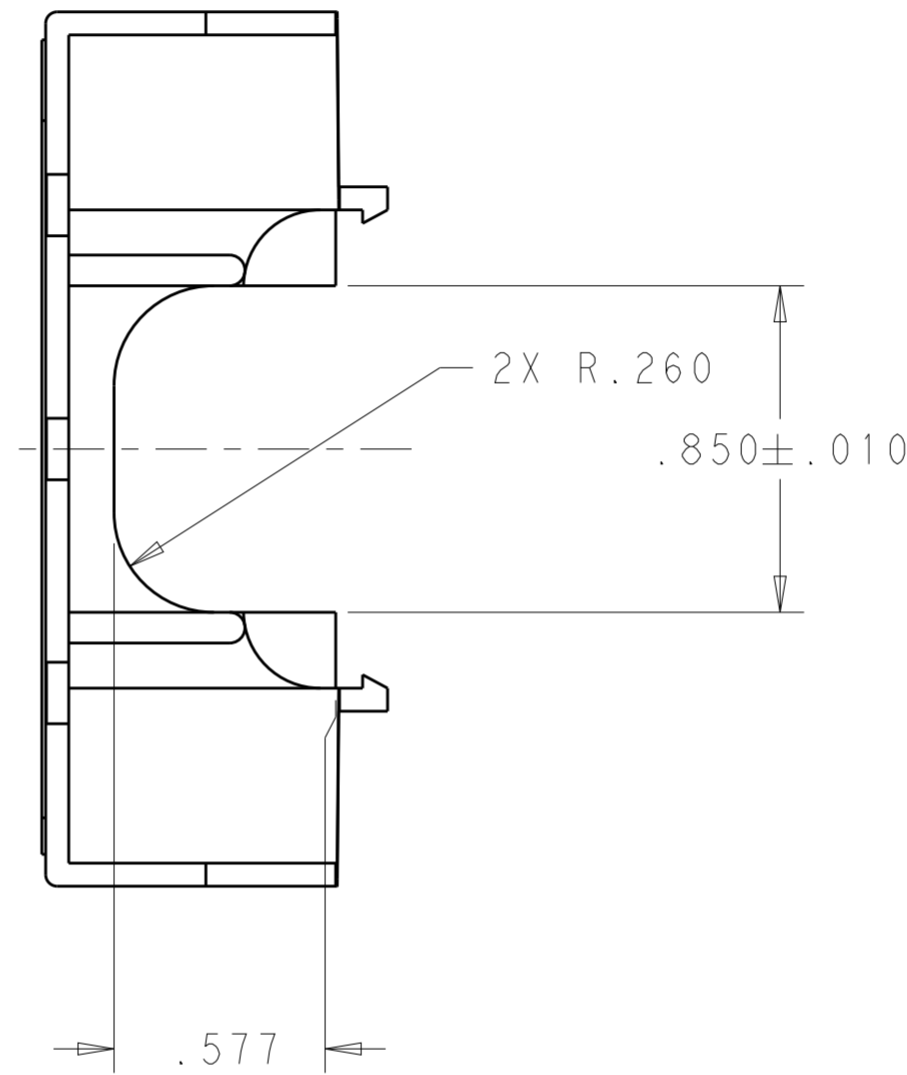
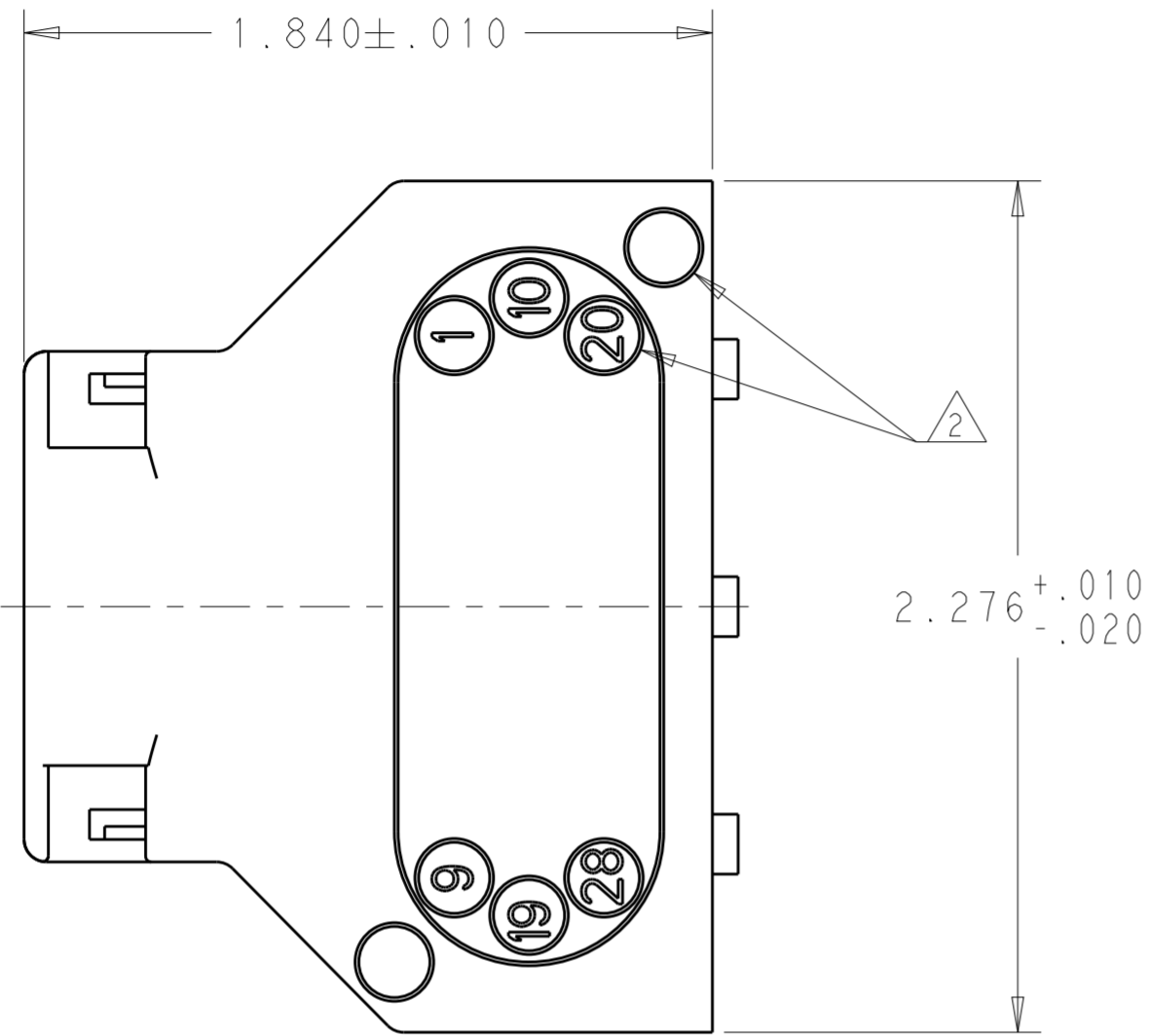
Email & Skype: info@chipsmall.com Web: www.chipsmall.com

Address: A1208, Overseas Decoration Building, #122 Zhenhua RD., Futian, Shenzhen, China



THIS DRAWING IS UNPUBLISHED. RELEASED FOR PUBLICATION 20
 © COPYRIGHT 20 BY - ALL RIGHTS RESERVED.

LOC	DIST	REVISIONS					
CM	00	P	LTR	DESCRIPTION	DATE	DWN	APVD
			H1	REV PER ECO-12-015596	11OCT2012	RGV	DCS



1. CUMMINS ELECTRONICS MUST BE INFORMED BY WAY OF A PRODUCT CHANGED IDENTIFICATION OF ALL CHANGES TO THE TE CUSTOMER DRAWINGS.
2. CIRCUIT IDENTIFICATION.
3. PACKAGE BULK, 100 PIECES PER.

212977-1
 PART NUMBER

THIS DRAWING IS A CONTROLLED DOCUMENT.		DWN R. VESTAL 09AUG2012	TE Connectivity	
DIMENSIONS: INCHES		CHK D. STRAUSSER 09AUG2012		
TOLERANCES UNLESS OTHERWISE SPECIFIED:		APVD D. STRAUSSER 09AUG2012	NAME COVER, STRAIN RELIEF, PLUG, 28 POSITION, ECMSC	
0 PLC ± 1 PLC ± 2 PLC ± 3 PLC ±.005 4 PLC ± ANGLES ±0° 30' FINISH		PRODUCT SPEC -	SIZE A200779	CAGE CODE C-212977
MATERIAL THERMOPLASTIC, BLACK		APPLICATION SPEC -	RESTRICTED TO -	
		WEIGHT -	SCALE 2:1 SHEET 1 OF 1 REV H1	
		CUSTOMER DRAWING		