



Chipsmall Limited consists of a professional team with an average of over 10 year of expertise in the distribution of electronic components. Based in Hongkong, we have already established firm and mutual-benefit business relationships with customers from,Europe,America and south Asia,supplying obsolete and hard-to-find components to meet their specific needs.

With the principle of “Quality Parts,Customers Priority,Honest Operation,and Considerate Service”,our business mainly focus on the distribution of electronic components. Line cards we deal with include Microchip,ALPS,ROHM,Xilinx,Pulse,ON,Everlight and Freescale. Main products comprise IC,Modules,Potentiometer,IC Socket,Relay,Connector.Our parts cover such applications as commercial,industrial, and automotives areas.

We are looking forward to setting up business relationship with you and hope to provide you with the best service and solution. Let us make a better world for our industry!



Contact us

Tel: +86-755-8981 8866 Fax: +86-755-8427 6832

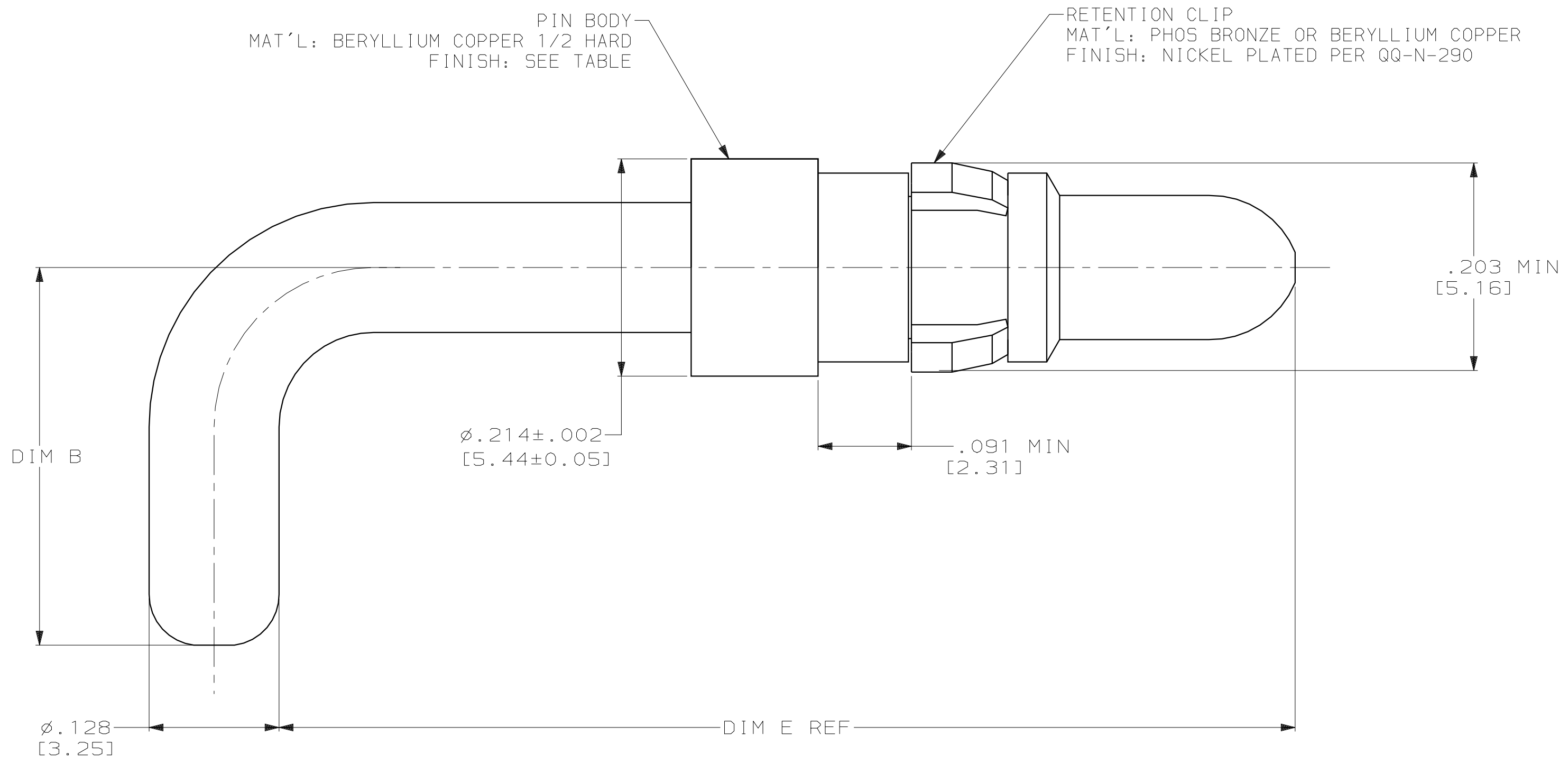
Email & Skype: info@chipsmall.com Web: www.chipsmall.com

Address: A1208, Overseas Decoration Building, #122 Zhenhua RD., Futian, Shenzhen, China



THIS DRAWING IS UNPUBLISHED. RELEASED FOR PUBLICATION, 19
 © COPYRIGHT 19 BY AMP INCORPORATED. ALL RIGHTS RESERVED.

LOC	DIST	REVISIONS					
DF	DO	P	LTR	DESCRIPTION	DATE	DWN	APVD
		C		REV PER 0H14-0181-04	3-04	CT	LO



PRELIMINARY NOT RELEASED FOR PRODUCTION	.662 [16.81]	.490 [12.45]	2	213062-3
	1.001 [254.25]	.372 [9.45]	2	213062-2
	1.001 [254.25]	.372 [9.45]	1	213062-1
	DIM E	DIM B	FINISH	PART NUMBER

- 1 FINISH: PLATED GOLD .000050 [0.00127] MIN THK PER MIL-G-45204 OVER NICKEL .000050 [0.00127] MIN THK PER QQ-N-290.
- 2 FINISH: PLATED GOLD .000030 [0.00076] MIN THK PER MIL-G-45204 OVER NICKEL .000050 [0.00127] MIN THK PER QQ-N-290.

THIS DRAWING IS A CONTROLLED DOCUMENT.

DWN	C.C. THOMAS	11/10/00
CHK	D. MILLER	11/10/00
APVD	D. MILLER	11/10/00

AMP AMP Incorporated
Harrisburg, PA 17105-3608

NAME: ASSEMBLY, PIN CONTACT
SIZE 8, P.C. BOARD MOUNT

SIZE	A2	CAGE CODE	00779	DRAWING NO	213062	RESTRICTED TO	-
SCALE	10:1	SHEET	1	OF	1	REV	C

MATERIAL: SEE CALLOUTS
FINISH: SEE TABLE
WEIGHT: -
CUSTOMER DRAWING