



Chipsmall Limited consists of a professional team with an average of over 10 year of expertise in the distribution of electronic components. Based in Hongkong, we have already established firm and mutual-benefit business relationships with customers from,Europe,America and south Asia,supplying obsolete and hard-to-find components to meet their specific needs.

With the principle of “Quality Parts,Customers Priority,Honest Operation,and Considerate Service”,our business mainly focus on the distribution of electronic components. Line cards we deal with include Microchip,ALPS,ROHM,Xilinx,Pulse,ON,Everlight and Freescale. Main products comprise IC,Modules,Potentiometer,IC Socket,Relay,Connector.Our parts cover such applications as commercial,industrial, and automotives areas.

We are looking forward to setting up business relationship with you and hope to provide you with the best service and solution. Let us make a better world for our industry!



Contact us

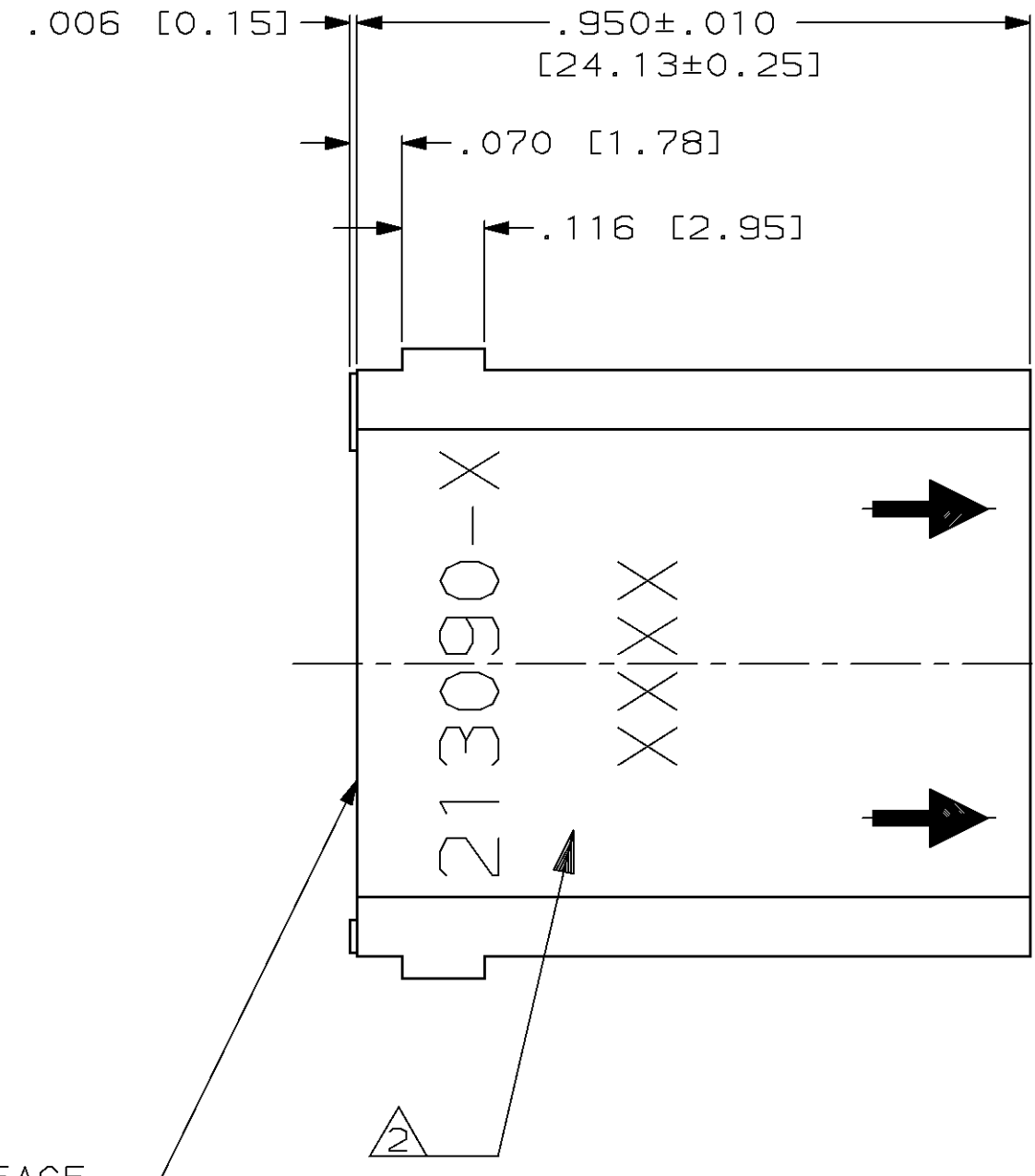
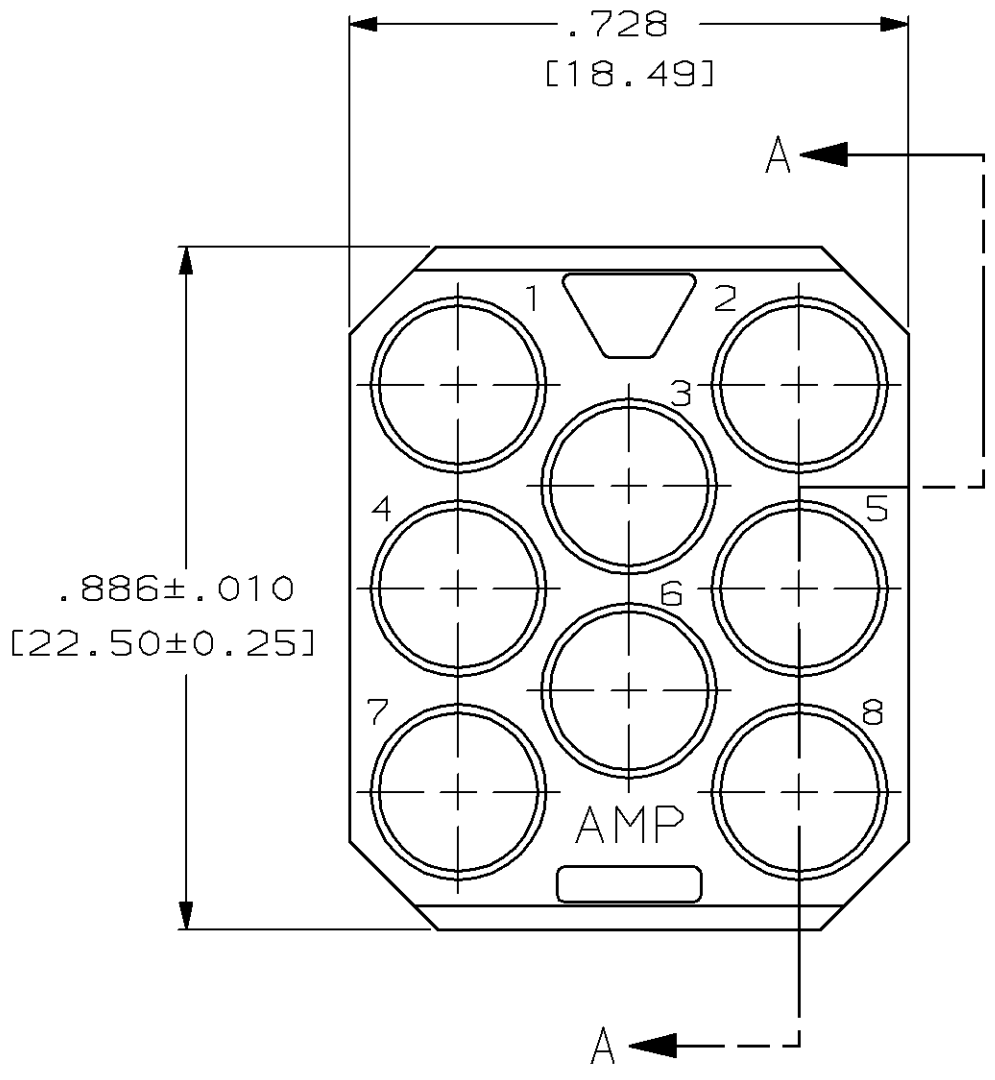
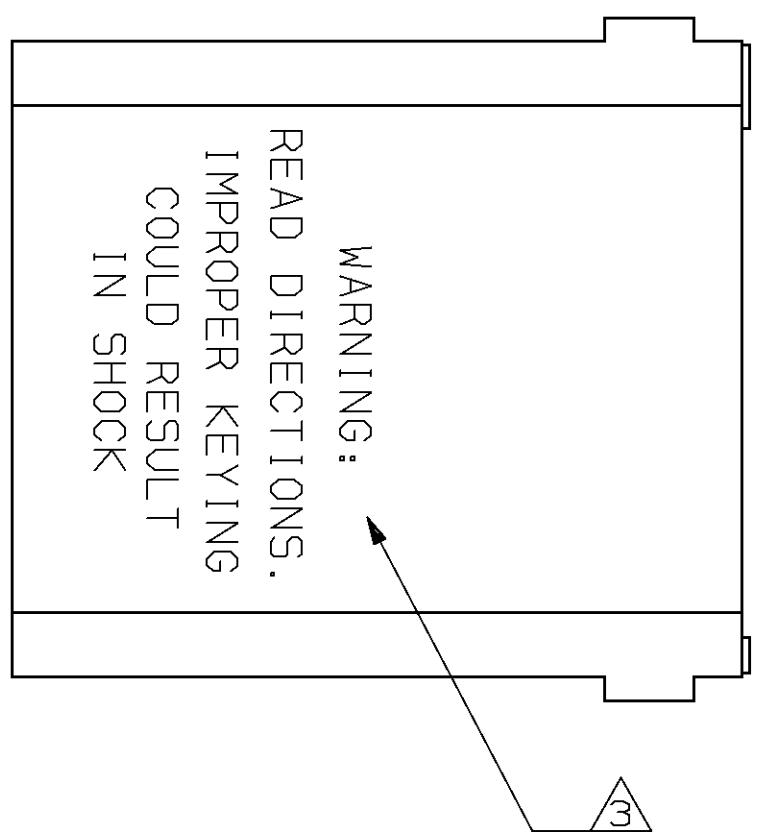
Tel: +86-755-8981 8866 Fax: +86-755-8427 6832

Email & Skype: info@chipsmall.com Web: www.chipsmall.com

Address: A1208, Overseas Decoration Building, #122 Zhenhua RD., Futian, Shenzhen, China

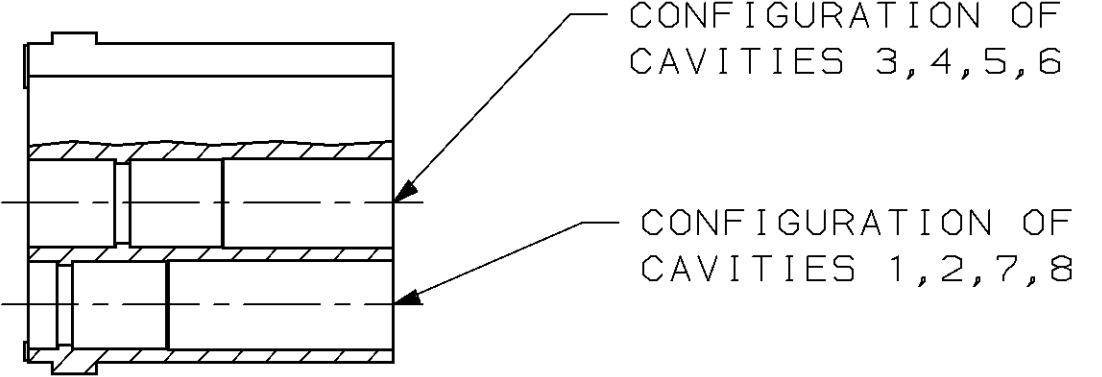


| LOC | DIST | P | F | ZONE | LTR | DESCRIPTION | DATE | APPD |
|-----|------|---|---|------|-----|-------------------------|----------|------|
| DF | BO | | | | C | REV & REDRAWN DF-4297 | PY 11-91 | DBM |
| | | | | | D | REV PER 0600-4161-95 JB | 08-30-95 | DBM |



- ① MATERIAL: DIALLYL PHTHALATE PER MIL-M-14, TYPE SDG-F, COLOR-BLUE
- ② AMP PART NO AND DATE CODE AND ARROWS MARKED WITH WHITE INK OR BY LASER MARKING AT APPROX AREA SHOWN
- ③ WARNING STATEMENT MARKED WITH WHITE INK AT APPROX AREA SHOWN
- 4. THIS MODULE ACCEPTS MINIATURE COAXICON AND TYPE I-SIZE 12 PIN CONTACTS

| DESCRIPTION | PART NUMBER |
|------------------------------------|-------------|
| CAVITY CONFIGURATION PER VIEW A | 213090-4 |
| ALL CAVITIES IDENTICAL TO CAVITY 3 | 213090-2 |



VIEW A
 SCALE 2:1
 (SEE TABLE)

| | | | | |
|--|-----------------------------|---|-------|--------------|
| DO NOT SCALE PRINT. UNLESS SPECIFIED DIMENSIONS IN INCHES [mm] TOLERANCES ON : 2 PLC DEC ± - 3 PLC DEC ± .005 ANGLES ± - | DR 7-16-91 P.YEAGER | AMP Incorporated Harrisburg, PA 17105-3608 | | |
| | CHK 11-12-91 D.B.MUMMEY | | | NAME |
| MATERIAL ① | APPD 11-12-91 D.B.MUMMEY | MALE BLOCK 8 POSN, G SERIES | | |
| | APPD - | | | SIZE |
| FINISH - | PRODUCT SPEC - | ③ | 00779 | 213090 |
| | APPLICATION SPEC - | SCALE 4:1 | | SHEET 1 OF 1 |
| | WEIGHT - | | | |