



Chipsmall Limited consists of a professional team with an average of over 10 year of expertise in the distribution of electronic components. Based in Hongkong, we have already established firm and mutual-benefit business relationships with customers from,Europe,America and south Asia,supplying obsolete and hard-to-find components to meet their specific needs.

With the principle of "Quality Parts,Customers Priority,Honest Operation,and Considerate Service",our business mainly focus on the distribution of electronic components. Line cards we deal with include Microchip,ALPS,ROHM,Xilinx,Pulse,ON,Everlight and Freescale. Main products comprise IC,Modules,Potentiometer,IC Socket,Relay,Connector.Our parts cover such applications as commercial,industrial, and automotives areas.

We are looking forward to setting up business relationship with you and hope to provide you with the best service and solution. Let us make a better world for our industry!



## Contact us

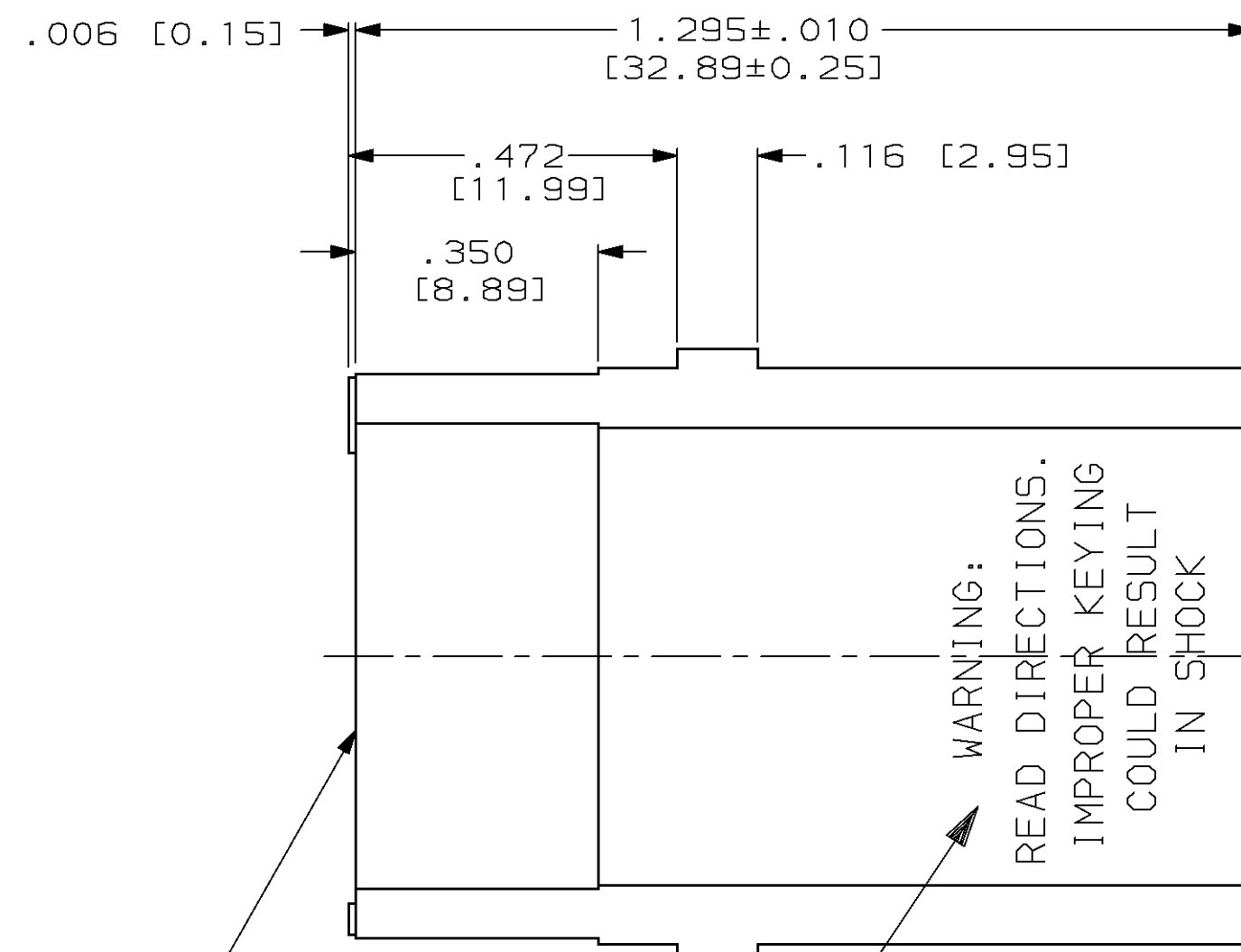
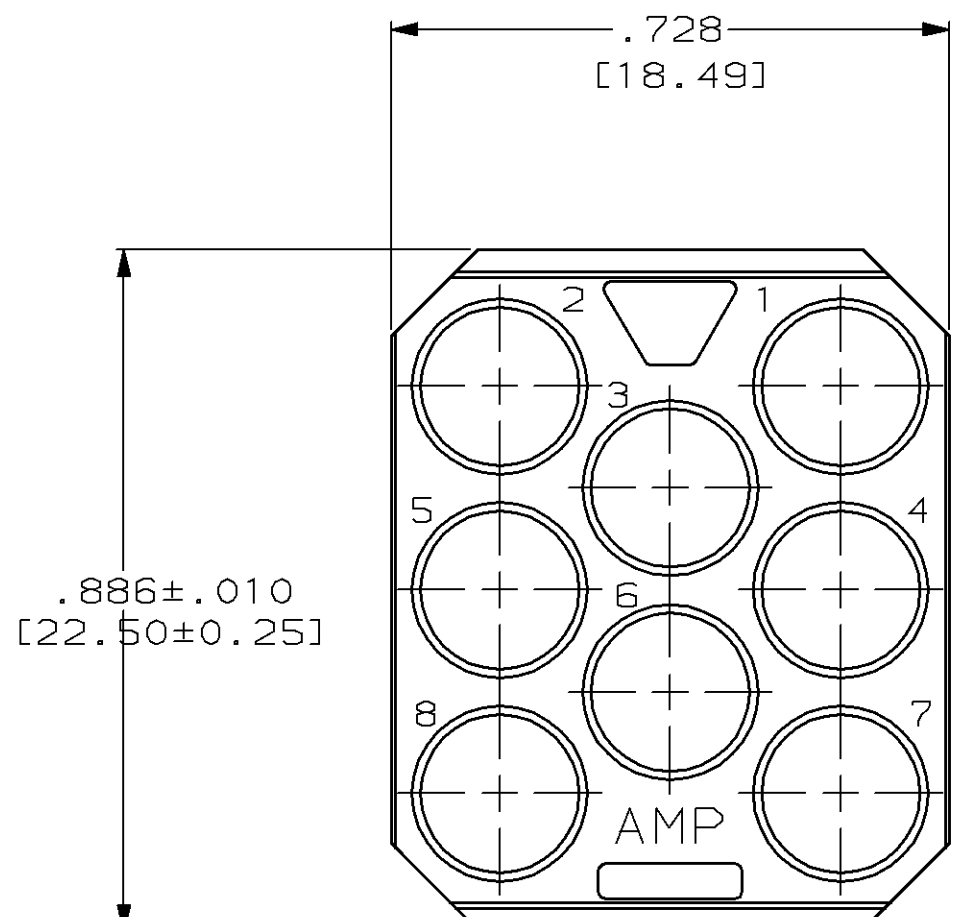
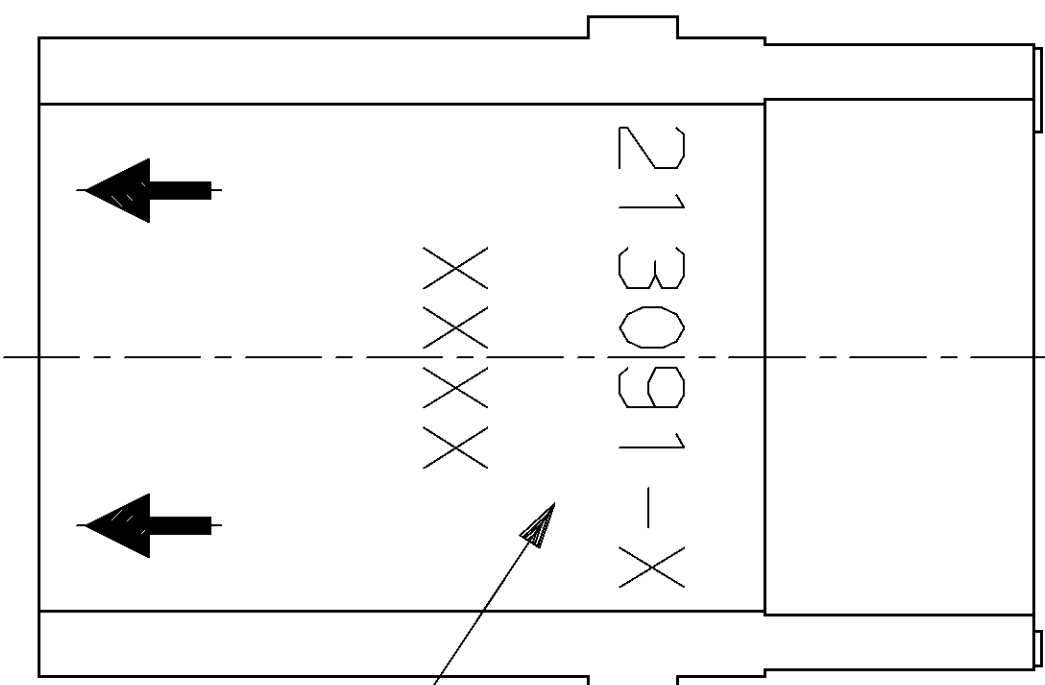
Tel: +86-755-8981 8866 Fax: +86-755-8427 6832

Email & Skype: info@chipsmall.com Web: www.chipsmall.com

Address: A1208, Overseas Decoration Building, #122 Zhenhua RD., Futian, Shenzhen, China



LOC	DIST	P	F	ZONE	LTR	DESCRIPTION	DATE	APPD
DF	BO				B	REV & REDRAWN DF-4297	PY 11-91	DBM
					C	REV PER 0600-4161-95 JB	08-30-95	DBM



MATING FACE

WARNING:  
 READ DIRECTIONS.  
 IMPROPER KEYING  
 COULD RESULT  
 IN SHOCK

- ① MATERIAL: DIALLYL PHTHALATE PER MIL-M-14, TYPESDG-F, COLOR-BLUE
- ② AMP PART NO AND DATE CODE AND ARROWS MARKED WITH WHITE INK OR BY LASER MARKING AT APPROXIMATE AREA SHOWN
- ③ THIS MODULE ACCEPTS TYPE I, SIZE 12 AND MINIATURE COAXICON SOCKET CONTACTS
- ④ THIS MODULE ACCEPTS TYPE I, SIZE 12 (IN CAVITIES 3, 4, 5 & 6 ONLY) AND MINIATURE COAXICON SOCKET CONTACTS
- ⑤ WARNING STATEMENT MARKED WITH WHITE INK AT APPROXIMATE AREA SHOWN.

AS SHOWN ④	213091-4
AS SHOWN ③	213091-2
DESCRIPTION	PART NUMBER

DO NOT SCALE PRINT. UNLESS SPECIFIED DIMENSIONS IN INCHES [mm] TOLERANCES ON : 2 PLC DEC ± - 3 PLC DEC ± .005 ANGLES ± -	DR 9-16-91 P.YEAGER	AMP Incorporated Harrisburg, PA 17105-3608		
	CHK 11-12-91 D.B.MUMMEY			NAME
MATERIAL ①	APPD 11-12-91 D.B.MUMMEY	FEMALE BLOCK 8 POSN, G SERIES		
FINISH -	APPD -			
	PRODUCT SPEC -	SIZE ©	CAGE CODE 00779	DRAWING NO 213091
	APPLICATION SPEC -	SCALE 4:1	SHEET 1 OF 1	
	WEIGHT -			