



Chipsmall Limited consists of a professional team with an average of over 10 year of expertise in the distribution of electronic components. Based in Hongkong, we have already established firm and mutual-benefit business relationships with customers from,Europe,America and south Asia,supplying obsolete and hard-to-find components to meet their specific needs.

With the principle of "Quality Parts,Customers Priority,Honest Operation,and Considerate Service",our business mainly focus on the distribution of electronic components. Line cards we deal with include Microchip,ALPS,ROHM,Xilinx,Pulse,ON,Everlight and Freescale. Main products comprise IC,Modules,Potentiometer,IC Socket,Relay,Connector.Our parts cover such applications as commercial,industrial, and automotives areas.

We are looking forward to setting up business relationship with you and hope to provide you with the best service and solution. Let us make a better world for our industry!



Contact us

Tel: +86-755-8981 8866 Fax: +86-755-8427 6832

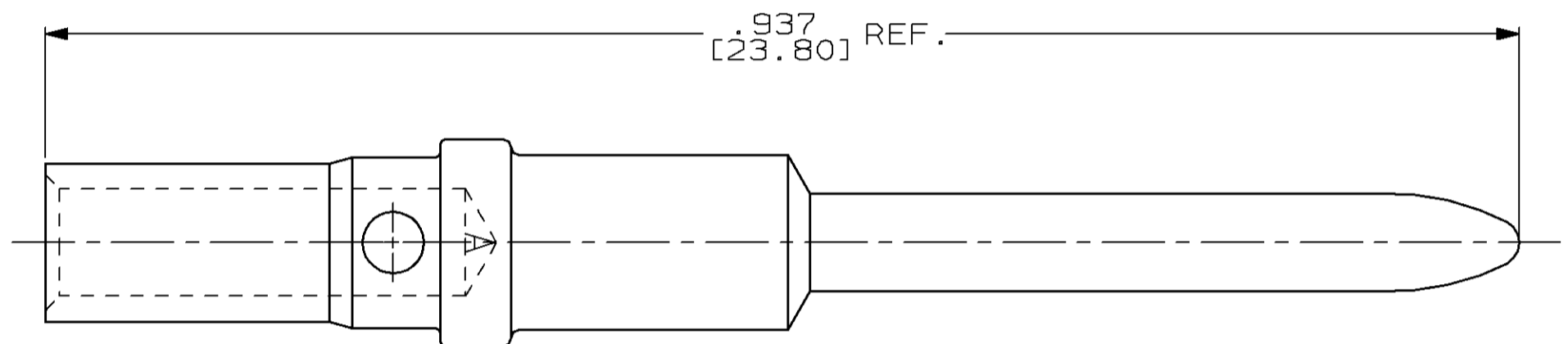
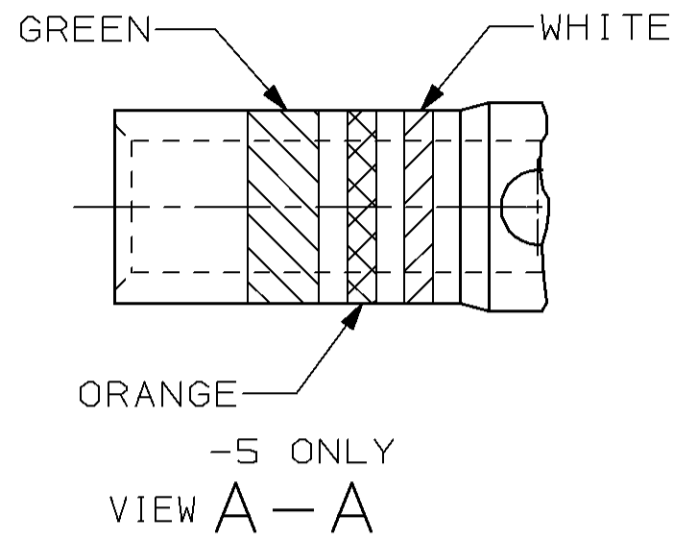
Email & Skype: info@chipsmall.com Web: www.chipsmall.com

Address: A1208, Overseas Decoration Building, #122 Zhenhua RD., Futian, Shenzhen, China



THIS DRAWING IS UNPUBLISHED. RELEASED FOR PUBLICATION, 19
 BY AMP INCORPORATED. ALL RIGHTS RESERVED.

LOC	DIST	REVISIONS					
DF	AO	P	LTR	DESCRIPTION	DATE	DWN	APVD
		0		DRAW PER DR, 7-140F JB	12-05-97	JB	AS



1 MATERIAL: COPPER ALLOY PER MIL-C-39029.
 2 PER VIEW A-A

2	213122-5
NONE	213122-4
COLOR CODE	PART NUMBER

THIS DRAWING IS A CONTROLLED DOCUMENT.		DWN	J. A. Baker	06-17-97	AMP AMP Incorporated Harrisburg, PA 17105-3608
DIMENSIONS: In [mm]		CHK	A. SHARPE	12-05-97	
TOLERANCES UNLESS OTHERWISE SPECIFIED:		APVD	A. SHARPE	12-05-97	
0 PLC ±- 1 PLC ±- 2 PLC ±.02 [0.51] 3 PLC ±.005 [0.13] 4 PLC ±- ANGLES ±- FINISH 4		PRODUCT SPEC	-		
MATERIAL 3		APPLICATION SPEC	-		NAME
		WEIGHT	-		PIN CONTACT, SIZE 16, ARINC 600
		CUSTOMER DRAWING	SCALE	10:1	RESTRICTED TO
			SHEET	1 OF 1	
			REV	0	

213122

B

C

D

A