



Chipsmall Limited consists of a professional team with an average of over 10 year of expertise in the distribution of electronic components. Based in Hongkong, we have already established firm and mutual-benefit business relationships with customers from,Europe,America and south Asia,supplying obsolete and hard-to-find components to meet their specific needs.

With the principle of “Quality Parts,Customers Priority,Honest Operation,and Considerate Service”,our business mainly focus on the distribution of electronic components. Line cards we deal with include Microchip,ALPS,ROHM,Xilinx,Pulse,ON,Everlight and Freescale. Main products comprise IC,Modules,Potentiometer,IC Socket,Relay,Connector.Our parts cover such applications as commercial,industrial, and automotives areas.

We are looking forward to setting up business relationship with you and hope to provide you with the best service and solution. Let us make a better world for our industry!



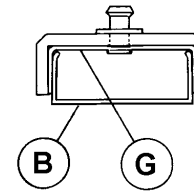
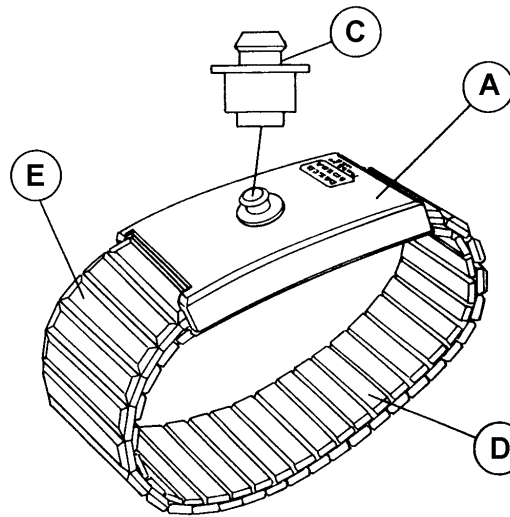
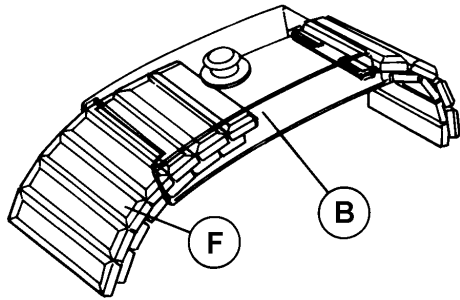
Contact us

Tel: +86-755-8981 8866 Fax: +86-755-8427 6832

Email & Skype: info@chipsmall.com Web: www.chipsmall.com

Address: A1208, Overseas Decoration Building, #122 Zhenhua RD., Futian, Shenzhen, China





- A. Fixed black glass-filled nylon cap with slotted opening to allow size adjustment.
- B. 300 Series Stainless Steel Backplate forms channel to hold up to 10 links of band allowing size adjustment.

- C. 4mm snap stud machined from 300 series stainless steel. Fits to 4mm spring loaded medical type socket. Coil cord disengages from snap with 1-5 lbs. of perpendicular force. Durable, providing long life well beyond that of sheet metal snaps.

- D. Metal expansion band. Inside links are constructed of 300 Series Stainless Steel. Made in China.

- E. Chrome plate painted surface.

- F. Size is adjusted by sliding 1 to 10 links of the band into the backplate "C" channel. Minimum circumference = 5.75". Maximum circumference = 13".

- G. 300 Series Stainless Steel clip for electrical contact between snap stud and backplate.

Meets ESD S1.1 cuff resistance interior =100 kilohms (1 x 10E2 ohms)
 Meets ESD S1.1 cuff resistance exterior =10 megohms (1 x 10E7 ohms)

Band Only	Band w/5' Coil Cord	Color
21307	21317	Blue

Item [21317](#) includes a 5' black coil cord with 1 megohm resistor.



Wristband, Metal Expansion, Adjustable Size

ESD SYSTEMS.com

432 NORTHBORO ROAD CENTRAL
 MARLBORO, MA 01752-3170
 PHONE (508) 485-7390 FAX (508) 480-0257

DRAWING NUMBER
 TD-21305

DATE
 November
 2009