



Chipsmall Limited consists of a professional team with an average of over 10 year of expertise in the distribution of electronic components. Based in Hongkong, we have already established firm and mutual-benefit business relationships with customers from,Europe,America and south Asia,supplying obsolete and hard-to-find components to meet their specific needs.

With the principle of “Quality Parts,Customers Priority,Honest Operation,and Considerate Service”,our business mainly focus on the distribution of electronic components. Line cards we deal with include Microchip,ALPS,ROHM,Xilinx,Pulse,ON,Everlight and Freescale. Main products comprise IC,Modules,Potentiometer,IC Socket,Relay,Connector.Our parts cover such applications as commercial,industrial, and automotives areas.

We are looking forward to setting up business relationship with you and hope to provide you with the best service and solution. Let us make a better world for our industry!



## Contact us

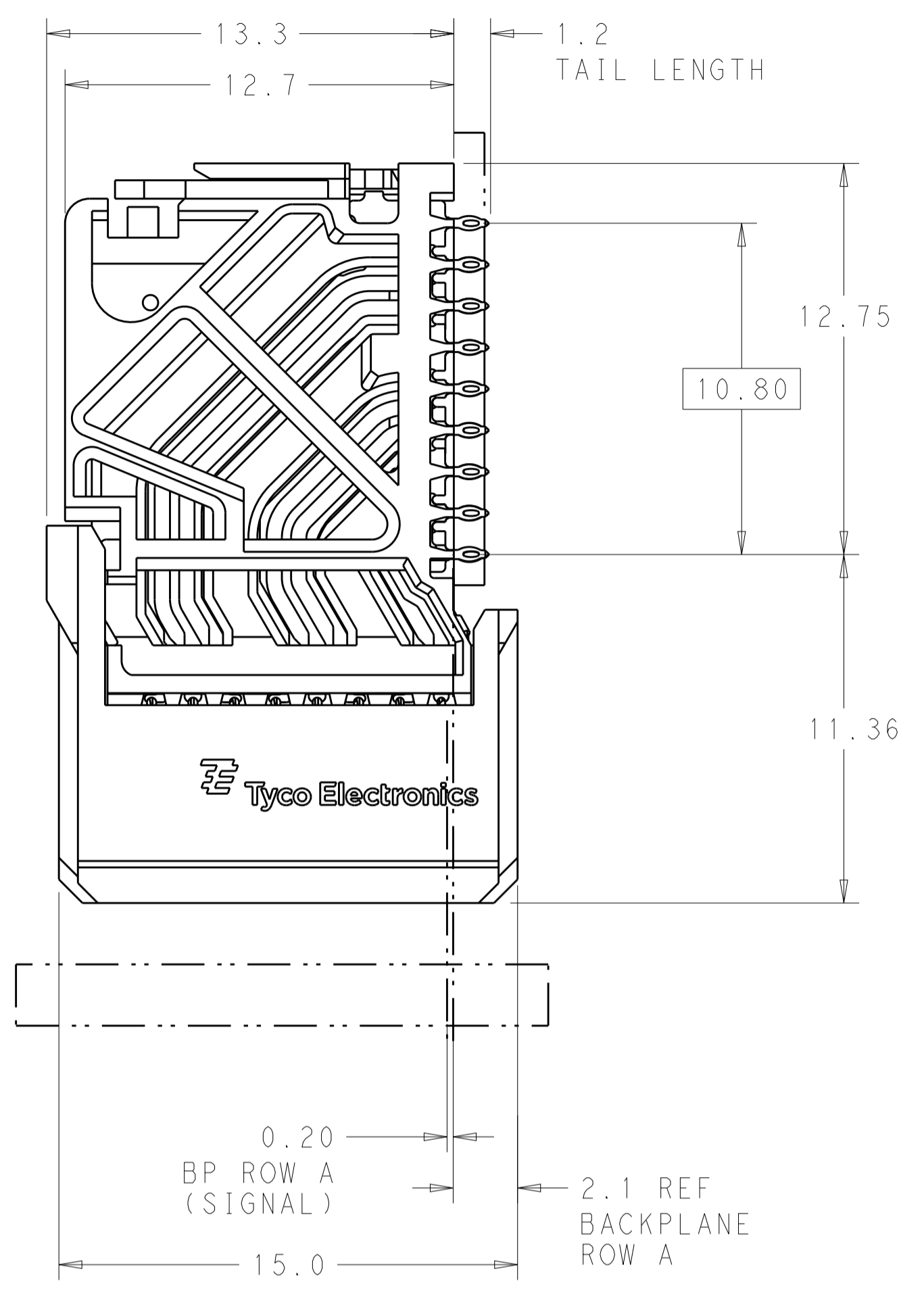
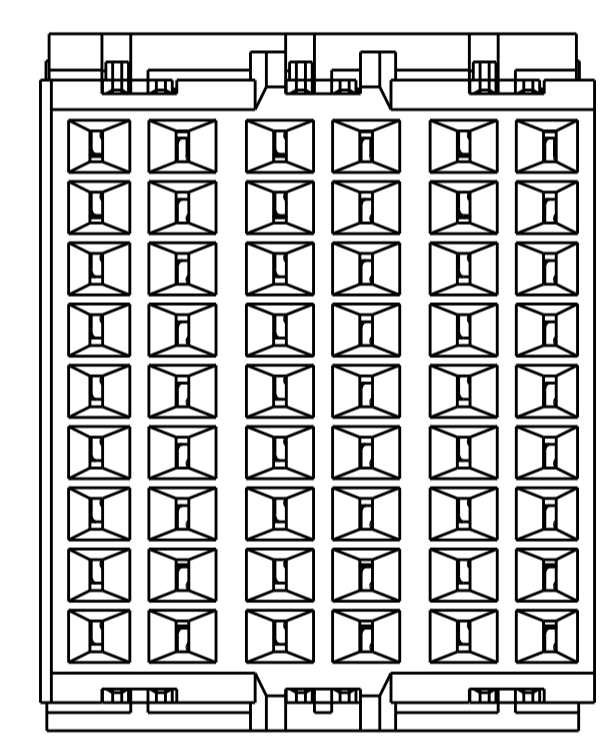
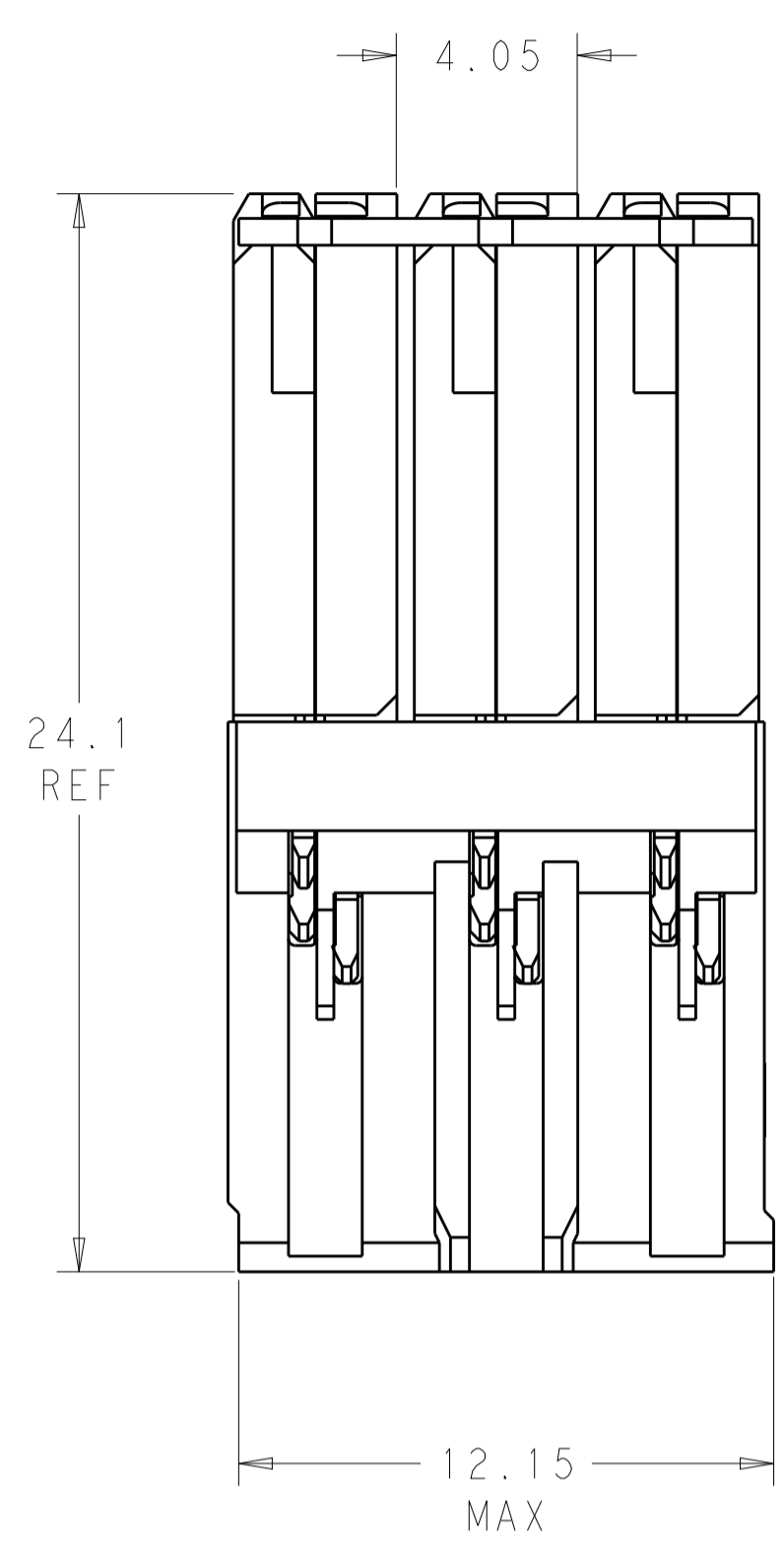
Tel: +86-755-8981 8866 Fax: +86-755-8427 6832

Email & Skype: info@chipsmall.com Web: www.chipsmall.com

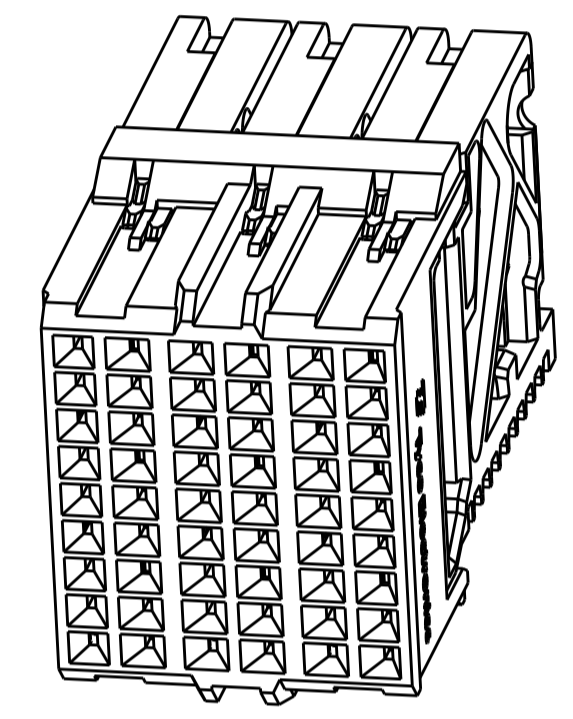
Address: A1208, Overseas Decoration Building, #122 Zhenhua RD., Futian, Shenzhen, China



LOC		DIST		REVISIONS			
AD	00	P	LTN	DESCRIPTION	DATE	DWN	APVD
		A		REVISED PER ECO-15-003242	23MAR2015	AP	DD

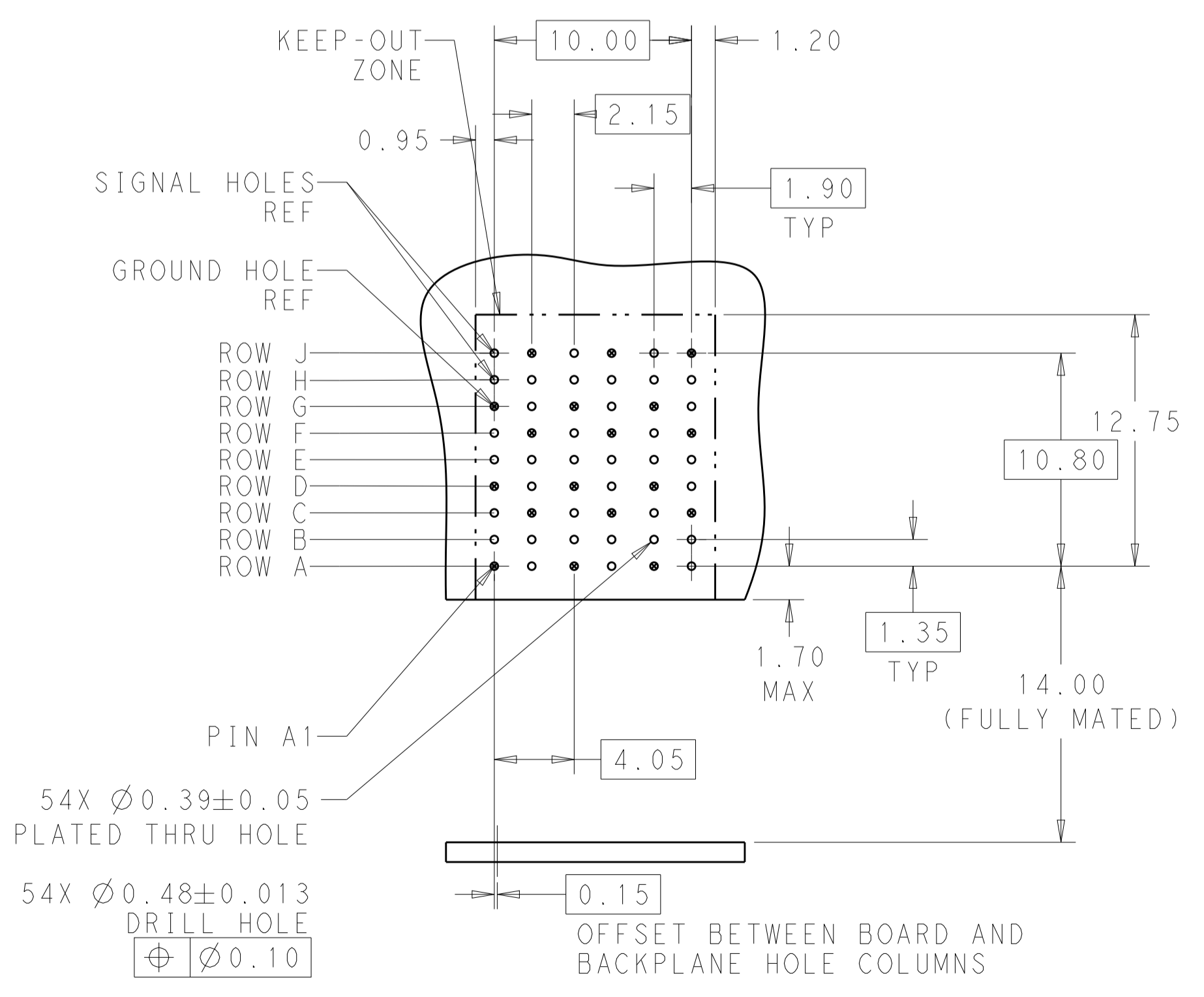


- 1 MATERIAL:  
HOUSING: LCP, GLASS FILLED, UL94V-0.  
TERMINALS: HIGH PERFORMANCE COPPER ALLOY.
- 2 FINISH:  
30µ" SELECTIVE GOLD IN CONTACT AREA. SELECTIVE TIN ON PCB TAILS, NICKEL OVERALL.
- 3 FINISH:  
30µ" SELECTIVE GOLD IN CONTACT AREA. SELECTIVE TIN-LEAD ON PCB TAILS, NICKEL OVERALL.



SCALE 4:1

REFER TO WWW.TE.COM FOR PRODUCT AVAILABILITY



54X Ø0.39±0.05 PLATED THRU HOLE  
 54X Ø0.48±0.013 DRILL HOLE  
 Ø0.10

RECOMMENDED PCB LAYOUT  
 MIN BOARD THICKNESS 1.6

NONE	3	2132424-5
NONE	2	2132424-1
KEY POSITION	FINISH	PART NUMBER

THIS DRAWING IS A CONTROLLED DOCUMENT.		DWN	21JUN2011	TE Connectivity	
DIMENSIONS:		CHK	D. DIXON	NAME	
mm		APVD	D. DIXON	PRODUCT SPEC	
0 PLC ±		21JUN2011		APPLICATION SPEC	
1 PLC ±0.25				SIZE	
2 PLC ±0.15				CAGE CODE	
3 PLC ±				DRAWING NO	
4 PLC ±				RESTRICTED TO	
ANGLES ±				A100779C=2132424	
FINISH SEE TABLE		WEIGHT		SCALE 6:1	
		Customer Drawing		SHEET 1 OF 1	
				REV A	