



Chipsmall Limited consists of a professional team with an average of over 10 year of expertise in the distribution of electronic components. Based in Hongkong, we have already established firm and mutual-benefit business relationships with customers from,Europe,America and south Asia,supplying obsolete and hard-to-find components to meet their specific needs.

With the principle of “Quality Parts,Customers Priority,Honest Operation,and Considerate Service”,our business mainly focus on the distribution of electronic components. Line cards we deal with include Microchip,ALPS,ROHM,Xilinx,Pulse,ON,Everlight and Freescale. Main products comprise IC,Modules,Potentiometer,IC Socket,Relay,Connector.Our parts cover such applications as commercial,industrial, and automotives areas.

We are looking forward to setting up business relationship with you and hope to provide you with the best service and solution. Let us make a better world for our industry!



Contact us

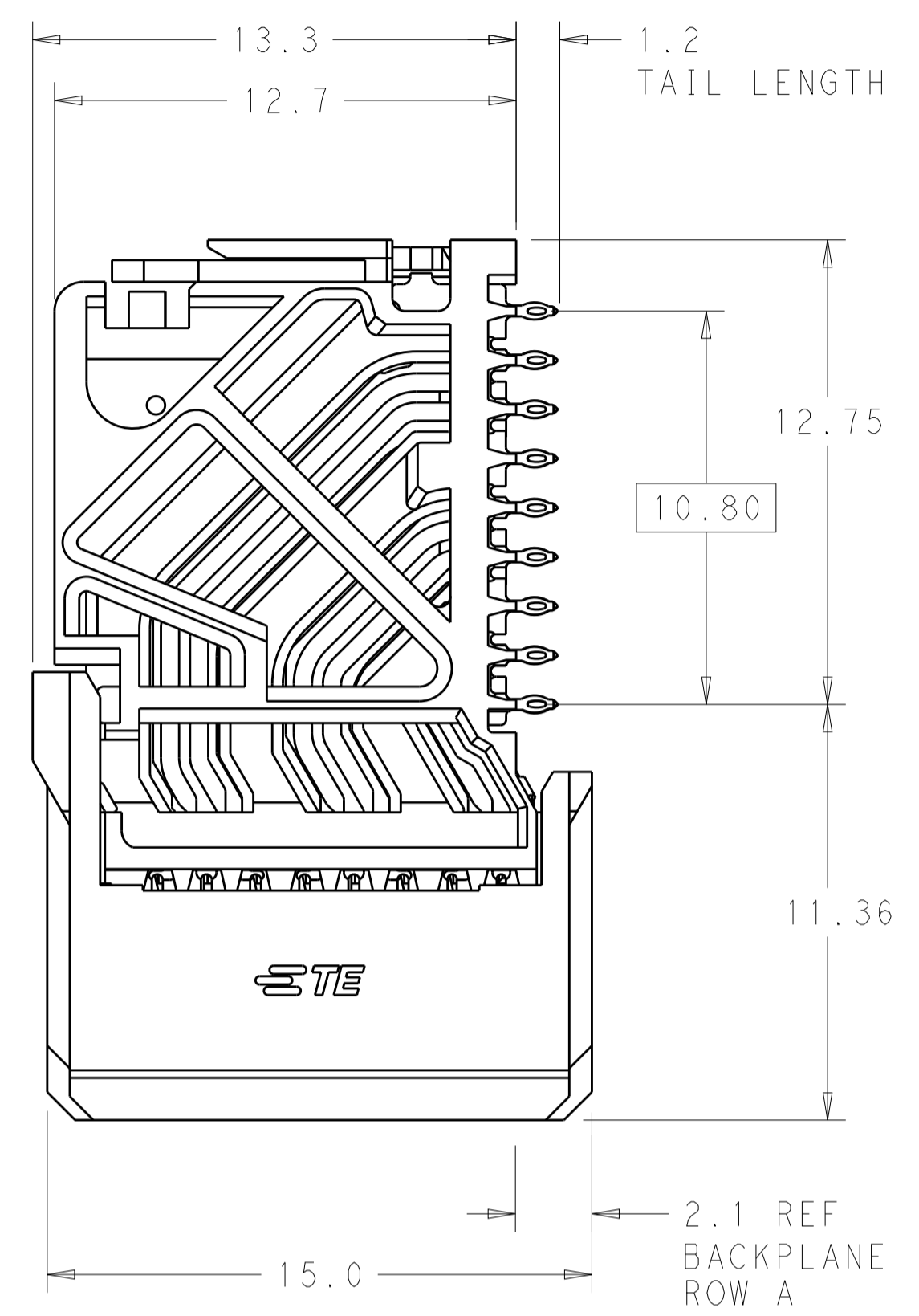
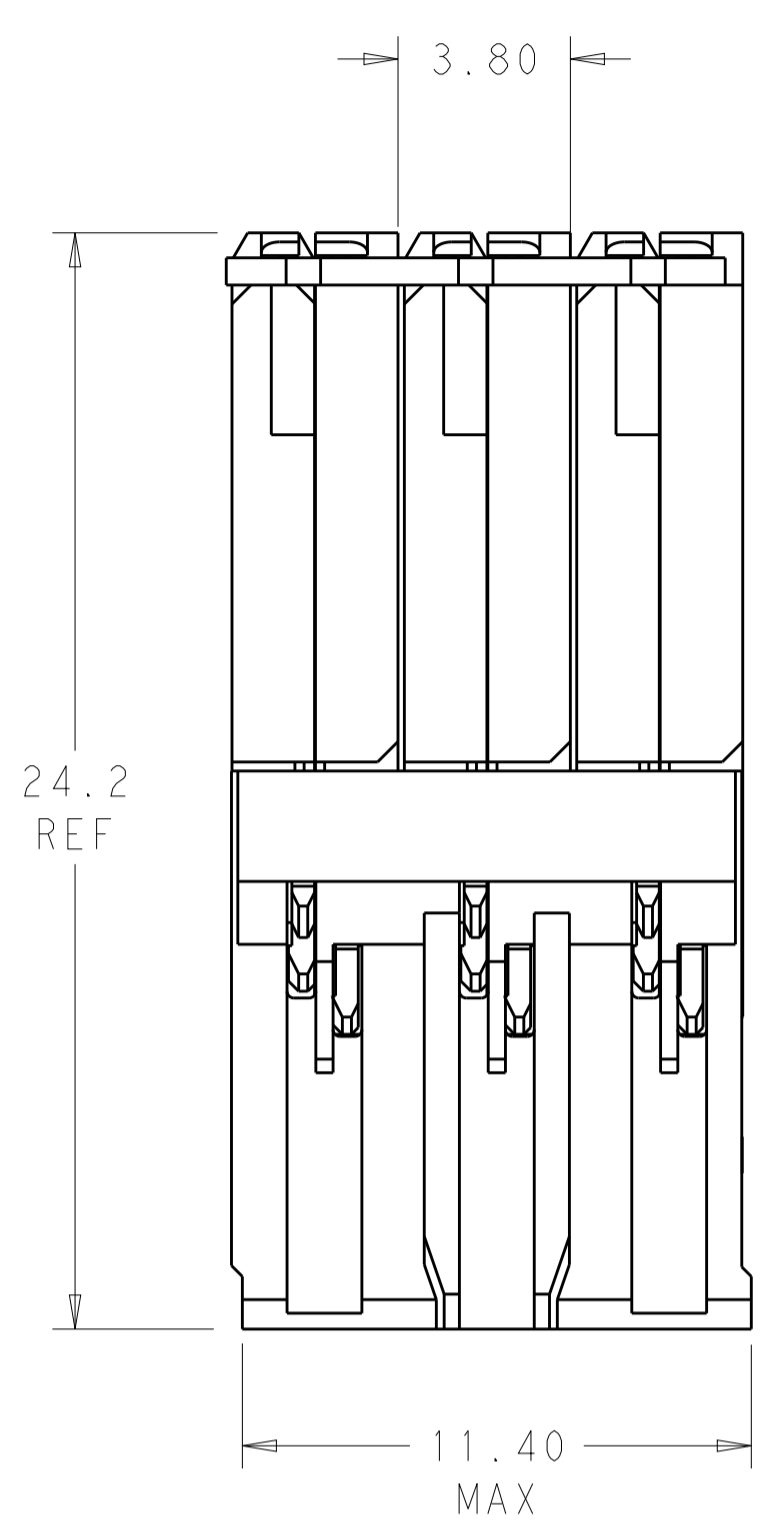
Tel: +86-755-8981 8866 Fax: +86-755-8427 6832

Email & Skype: info@chipsmall.com Web: www.chipsmall.com

Address: A1208, Overseas Decoration Building, #122 Zhenhua RD., Futian, Shenzhen, China

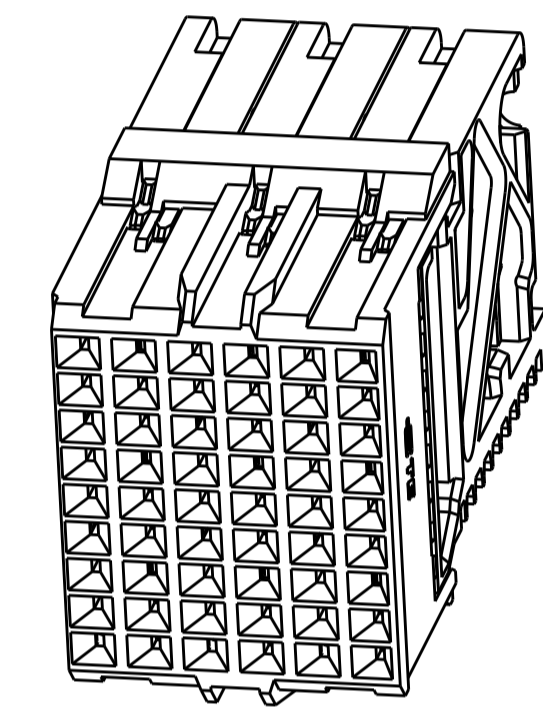


LOC		DIST		REVISIONS			
P	LTN	DESCRIPTION	DATE	DWN	APVD		
C1		REVISED PER ECO-14-018035	11MAR2015	AP	DD		

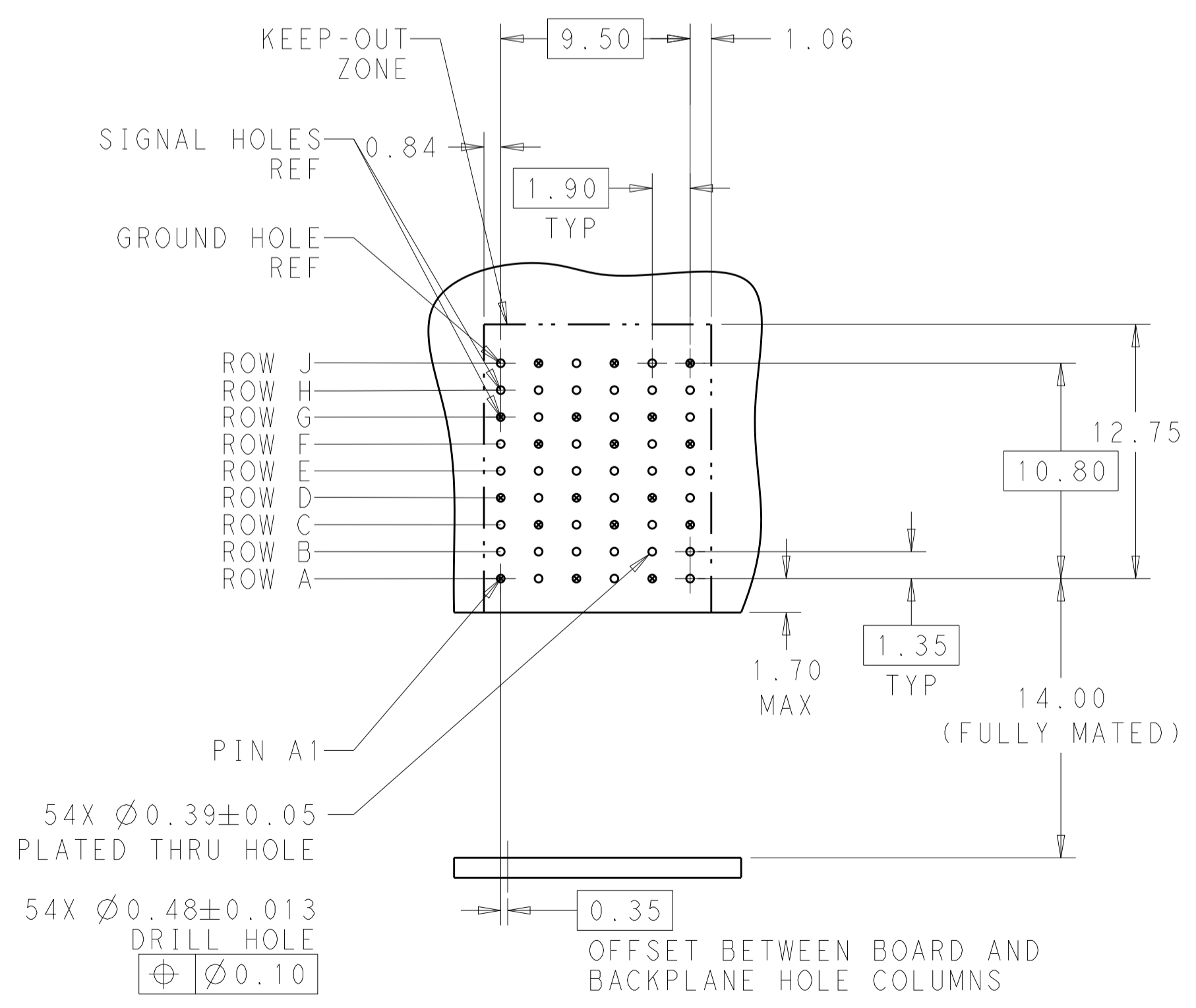
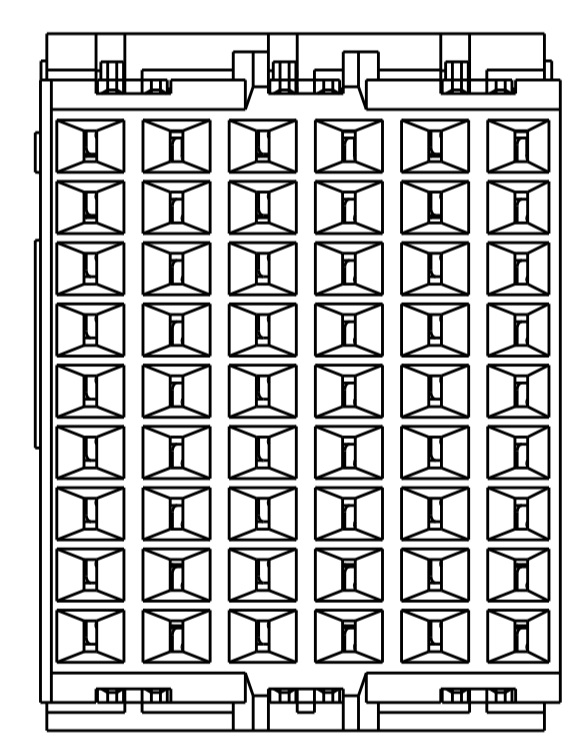


⚠ MATERIAL:
 HOUSING: LCP, GLASS FILLED, UL94V-0.
 TERMINALS: HIGH PERFORMANCE COPPER ALLOY.

⚠ FINISH:
 30μ" SELECTIVE GOLD IN CONTACT AREA. SELECTIVE TIN
 ON PCB TAILS, NICKEL OVERALL.



SCALE 4:1



RECOMMENDED PCB LAYOUT
 MIN BOARD THICKNESS 1.0

NONE	⚠	2132500-1
KEY POSITION	FINISH	PART NUMBER

THIS DRAWING IS A CONTROLLED DOCUMENT.		DWN Z. MILLER 23SEP2010	NAME	
DIMENSIONS:		CHK D. DIXON 23SEP2010	IMPACT, 3 PAIR, DAUGHTERCARD 6 COLUMN, UNGUIDED, SIGNAL MODULE, 0.39 EYELET	
mm	TOLERANCES UNLESS OTHERWISE SPECIFIED:	APVD D. DIXON 23SEP2010	SIZE	CAGE CODE DRAWING NO
Ø	0 PLC ±	PRODUCT SPEC	A1	00779C=2132500
Ø	1 PLC ±0.2	APPLICATION SPEC	WEIGHT	
Ø	2 PLC ±0.10		CUSTOMER DRAWING	SCALE 6:1 SHEET 1 OF 1 REV C1
Ø	3 PLC ±			
Ø	4 PLC ±			
Ø	5 PLC ±			
Ø	6 PLC ±			
Ø	7 PLC ±			
Ø	8 PLC ±			
Ø	9 PLC ±			
Ø	10 PLC ±			
Ø	11 PLC ±			
Ø	12 PLC ±			
Ø	13 PLC ±			
Ø	14 PLC ±			
Ø	15 PLC ±			
Ø	16 PLC ±			
Ø	17 PLC ±			
Ø	18 PLC ±			
Ø	19 PLC ±			
Ø	20 PLC ±			
Ø	21 PLC ±			
Ø	22 PLC ±			
Ø	23 PLC ±			
Ø	24 PLC ±			
Ø	25 PLC ±			
Ø	26 PLC ±			
Ø	27 PLC ±			
Ø	28 PLC ±			
Ø	29 PLC ±			
Ø	30 PLC ±			
Ø	31 PLC ±			
Ø	32 PLC ±			
Ø	33 PLC ±			
Ø	34 PLC ±			
Ø	35 PLC ±			
Ø	36 PLC ±			
Ø	37 PLC ±			
Ø	38 PLC ±			
Ø	39 PLC ±			
Ø	40 PLC ±			
Ø	41 PLC ±			
Ø	42 PLC ±			
Ø	43 PLC ±			
Ø	44 PLC ±			
Ø	45 PLC ±			
Ø	46 PLC ±			
Ø	47 PLC ±			
Ø	48 PLC ±			
Ø	49 PLC ±			
Ø	50 PLC ±			
Ø	51 PLC ±			
Ø	52 PLC ±			
Ø	53 PLC ±			
Ø	54 PLC ±			
Ø	55 PLC ±			
Ø	56 PLC ±			
Ø	57 PLC ±			
Ø	58 PLC ±			
Ø	59 PLC ±			
Ø	60 PLC ±			
Ø	61 PLC ±			
Ø	62 PLC ±			
Ø	63 PLC ±			
Ø	64 PLC ±			
Ø	65 PLC ±			
Ø	66 PLC ±			
Ø	67 PLC ±			
Ø	68 PLC ±			
Ø	69 PLC ±			
Ø	70 PLC ±			
Ø	71 PLC ±			
Ø	72 PLC ±			
Ø	73 PLC ±			
Ø	74 PLC ±			
Ø	75 PLC ±			
Ø	76 PLC ±			
Ø	77 PLC ±			
Ø	78 PLC ±			
Ø	79 PLC ±			
Ø	80 PLC ±			
Ø	81 PLC ±			
Ø	82 PLC ±			
Ø	83 PLC ±			
Ø	84 PLC ±			
Ø	85 PLC ±			
Ø	86 PLC ±			
Ø	87 PLC ±			
Ø	88 PLC ±			
Ø	89 PLC ±			
Ø	90 PLC ±			
Ø	91 PLC ±			
Ø	92 PLC ±			
Ø	93 PLC ±			
Ø	94 PLC ±			
Ø	95 PLC ±			
Ø	96 PLC ±			
Ø	97 PLC ±			
Ø	98 PLC ±			
Ø	99 PLC ±			
Ø	100 PLC ±			