



Chipsmall Limited consists of a professional team with an average of over 10 year of expertise in the distribution of electronic components. Based in Hongkong, we have already established firm and mutual-benefit business relationships with customers from,Europe,America and south Asia,supplying obsolete and hard-to-find components to meet their specific needs.

With the principle of "Quality Parts,Customers Priority,Honest Operation,and Considerate Service",our business mainly focus on the distribution of electronic components. Line cards we deal with include Microchip,ALPS,ROHM,Xilinx,Pulse,ON,Everlight and Freescale. Main products comprise IC,Modules,Potentiometer,IC Socket,Relay,Connector.Our parts cover such applications as commercial,industrial, and automotives areas.

We are looking forward to setting up business relationship with you and hope to provide you with the best service and solution. Let us make a better world for our industry!



Contact us

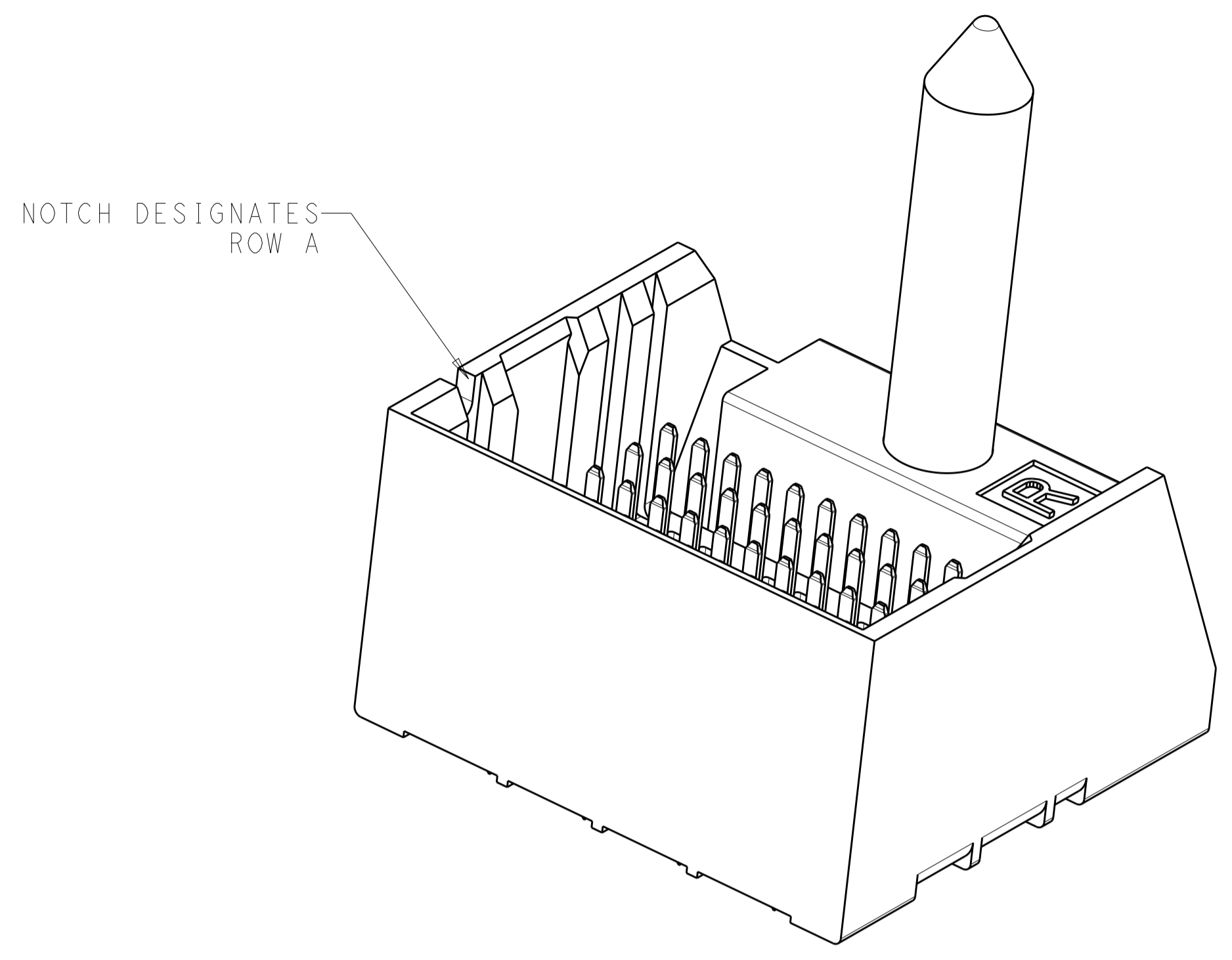
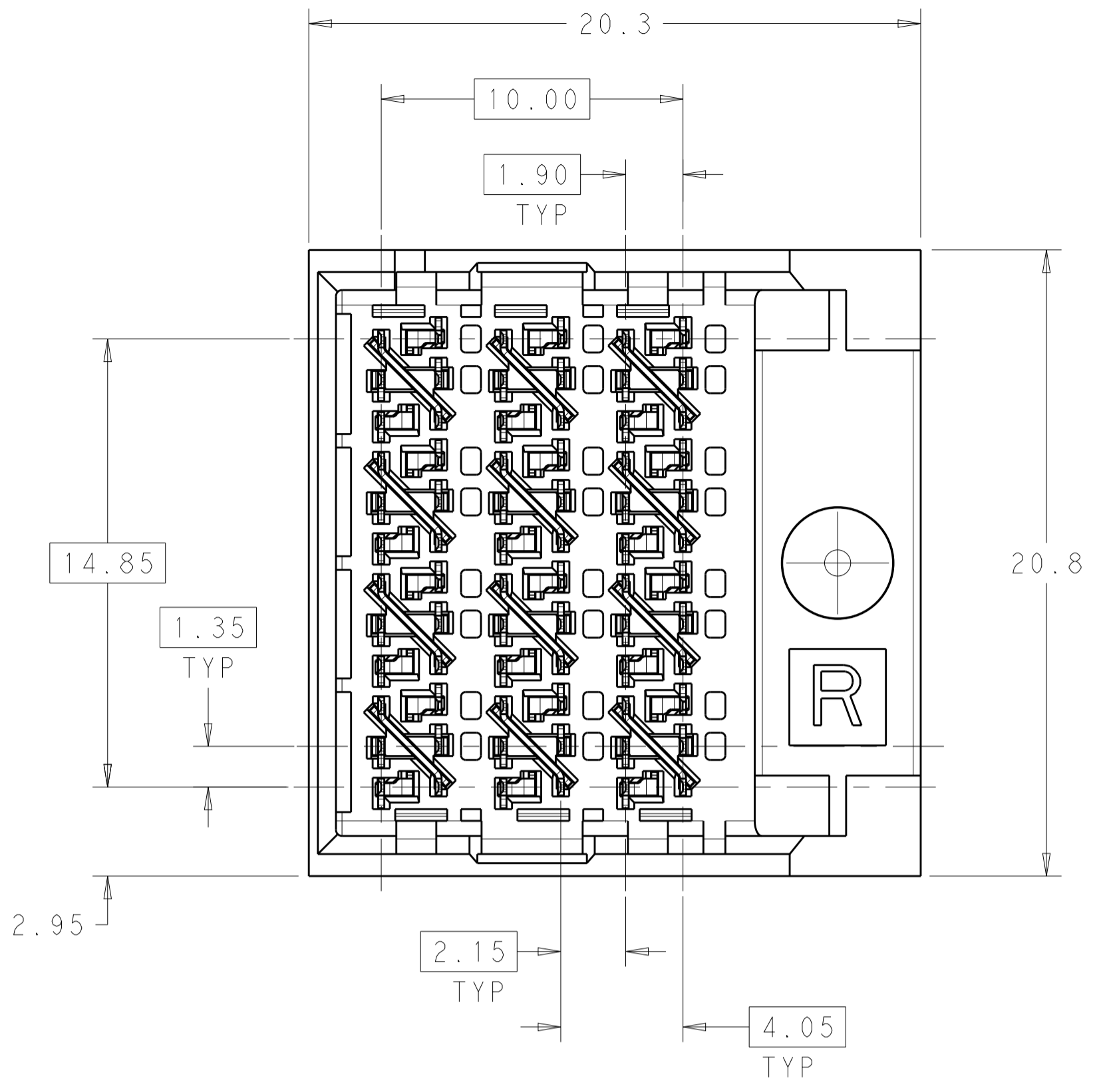
Tel: +86-755-8981 8866 Fax: +86-755-8427 6832

Email & Skype: info@chipsmall.com Web: www.chipsmall.com

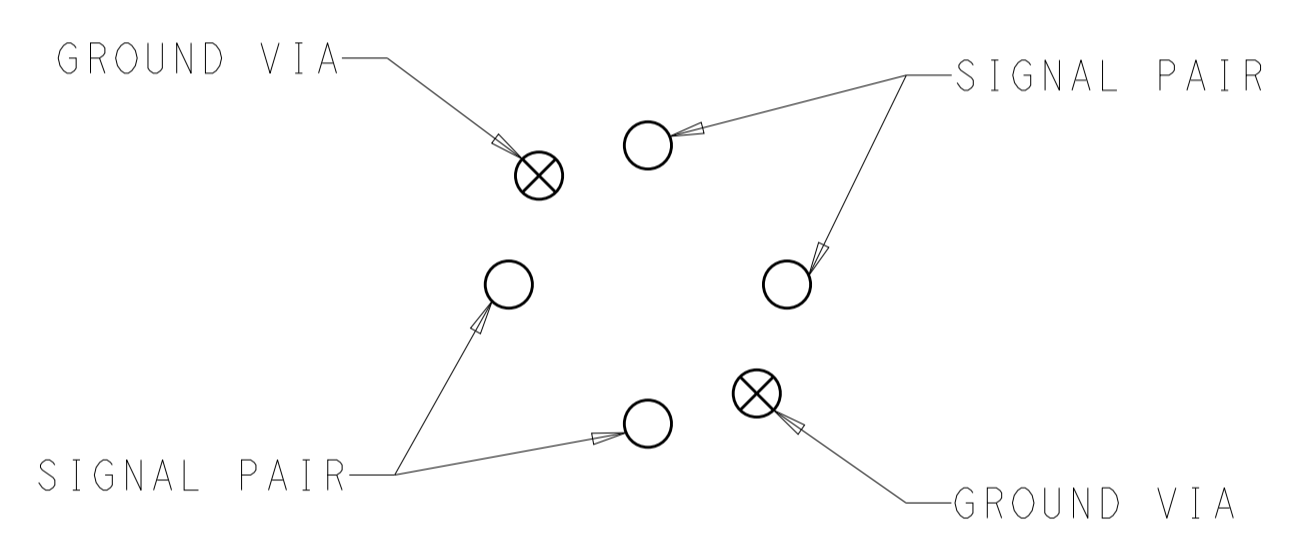
Address: A1208, Overseas Decoration Building, #122 Zhenhua RD., Futian, Shenzhen, China



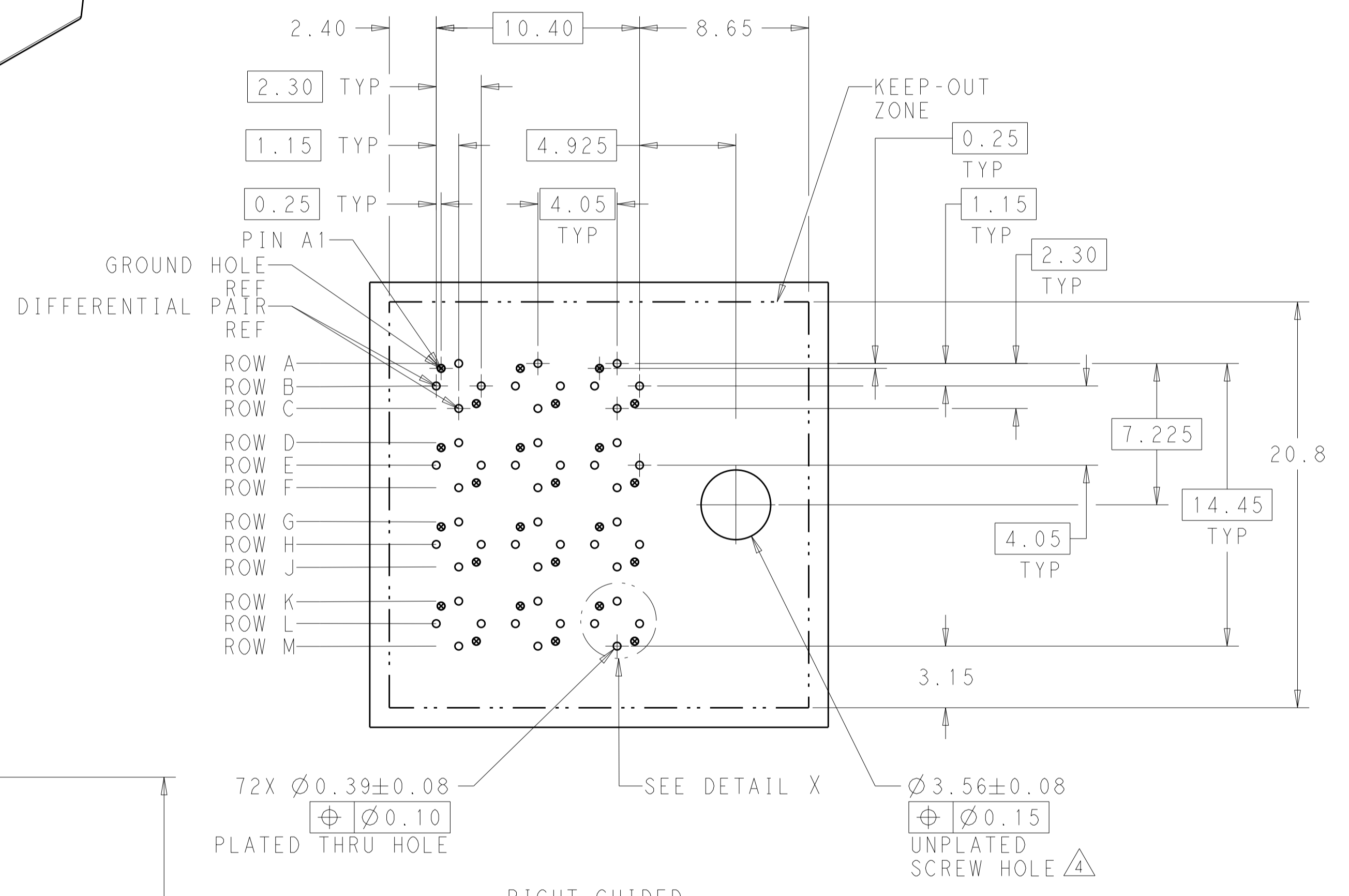
REVISIONS				
P.	LTN	DESCRIPTION	DATE	APVD
C1		REVISED PER ECO-15-001489	31JAN2015	AP DD



- 1 MATERIAL:
HOUSING: LCP, GLASS FILLED, UL94V-0.
TERMINALS: HIGH PERFORMANCE COPPER ALLOY.
- 2 FINISH:
30µ" MIN GOLD IN CONTACT AREA. SELECTIVE TIN ON PCB TAILS, NICKEL OVERALL.
- 3. SCREWS PACKAGED IN END OF PACKAGING TUBE.
- 4 FOR GROUNDED GUIDE PIN USE Ø3.56±0.08 PTH, Ø3.66 DRILL, AND Ø6.5 PAD.

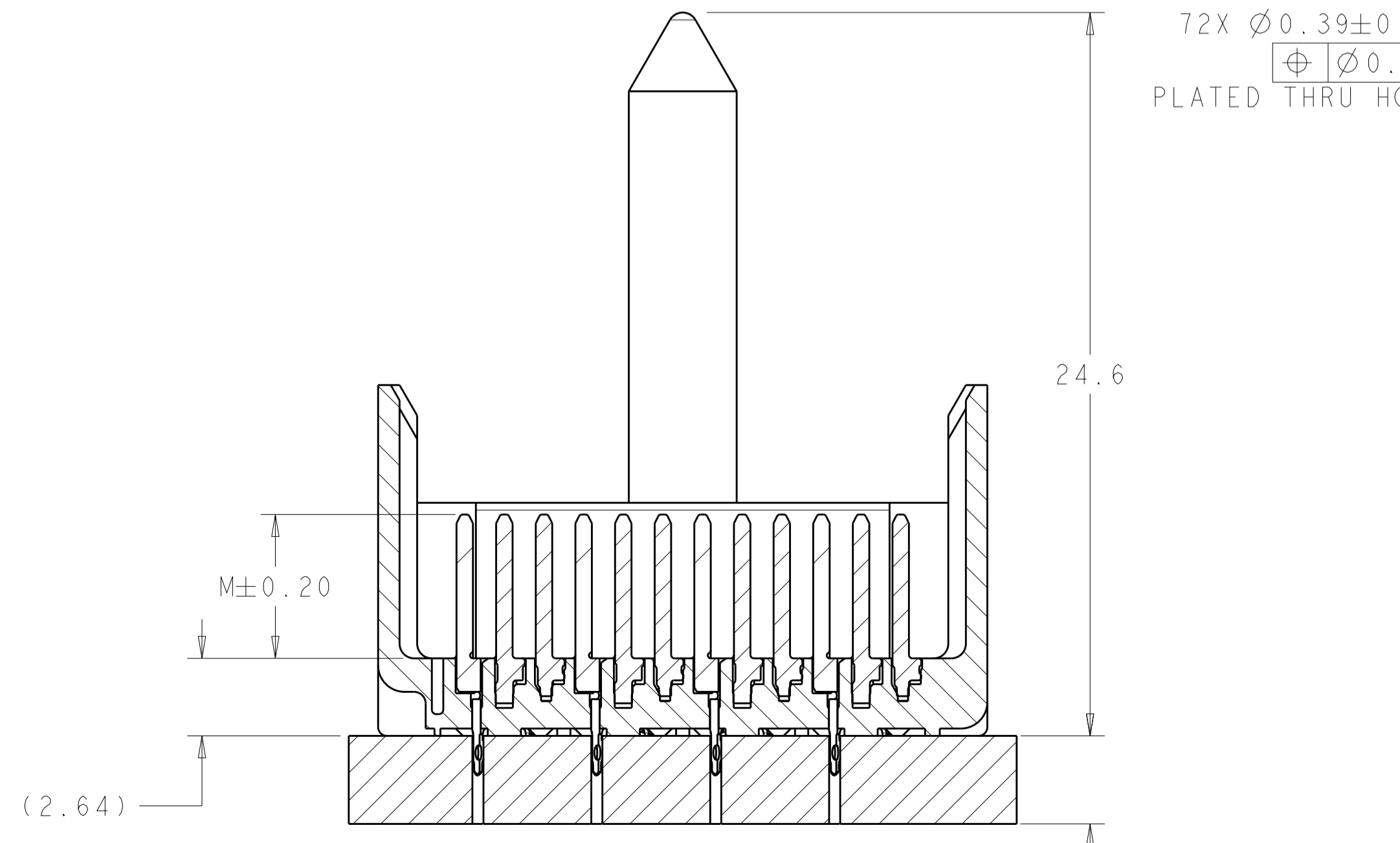
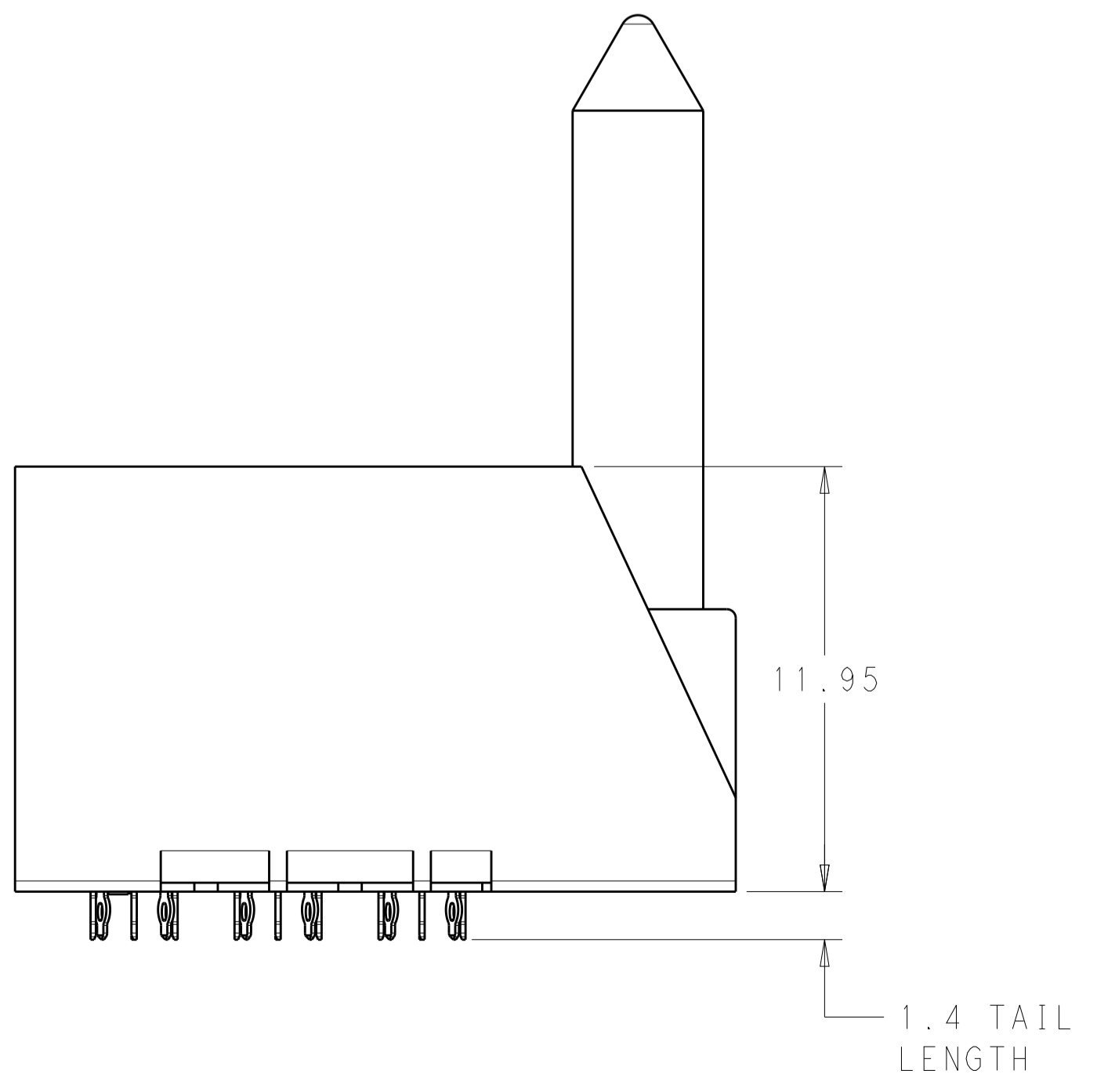


DETAIL X
SCALE 16:1



RIGHT GUIDED
BACKPLANE HOLE PATTERN
(CONNECTOR SIDE)

REFER TO WWW.TE.COM
FOR PRODUCT AVAILABILITY



SECTION X-X

2	5.5	2132596-2
2	4.9	2132596-1
FINISH	DIM M	PART NUMBER

THIS DRAWING IS A CONTROLLED DOCUMENT.		OWN: R. IRAN HOLA 18OCT2012	NAME: IMPACT, ORTHOGONAL, 4 PAIR, 6 COLUMN HEADER, RIGHT GUIDED, LEFT END WALL SIGNAL MODULE, 0.39 PTH
DIMENSIONS:	TOLERANCES UNLESS OTHERWISE SPECIFIED:	CHK: D. DIXON 18OCT2012	PRODUCT SPEC
mm	0 PLC ±0.25 1 PLC ±0.13 2 PLC ±0.13 3 PLC ±0.13 4 PLC ±0.13	APVD: D. DIXON 18OCT2012	APPLICATION SPEC
MATERIAL: SEE TABLE		WEIGHT	SIZE: CAGE CODE: DRAWING NO: RESTRICTED TO
FINISH: SEE TABLE		CUSTOMER DRAWING	A100779C=2132596
SCALE: 6:1		SHEET 1 OF 1 REV C1	