



Chipsmall Limited consists of a professional team with an average of over 10 year of expertise in the distribution of electronic components. Based in Hongkong, we have already established firm and mutual-benefit business relationships with customers from,Europe,America and south Asia,supplying obsolete and hard-to-find components to meet their specific needs.

With the principle of “Quality Parts,Customers Priority,Honest Operation,and Considerate Service”,our business mainly focus on the distribution of electronic components. Line cards we deal with include Microchip,ALPS,ROHM,Xilinx,Pulse,ON,Everlight and Freescale. Main products comprise IC,Modules,Potentiometer,IC Socket,Relay,Connector.Our parts cover such applications as commercial,industrial, and automotives areas.

We are looking forward to setting up business relationship with you and hope to provide you with the best service and solution. Let us make a better world for our industry!



Contact us

Tel: +86-755-8981 8866 Fax: +86-755-8427 6832

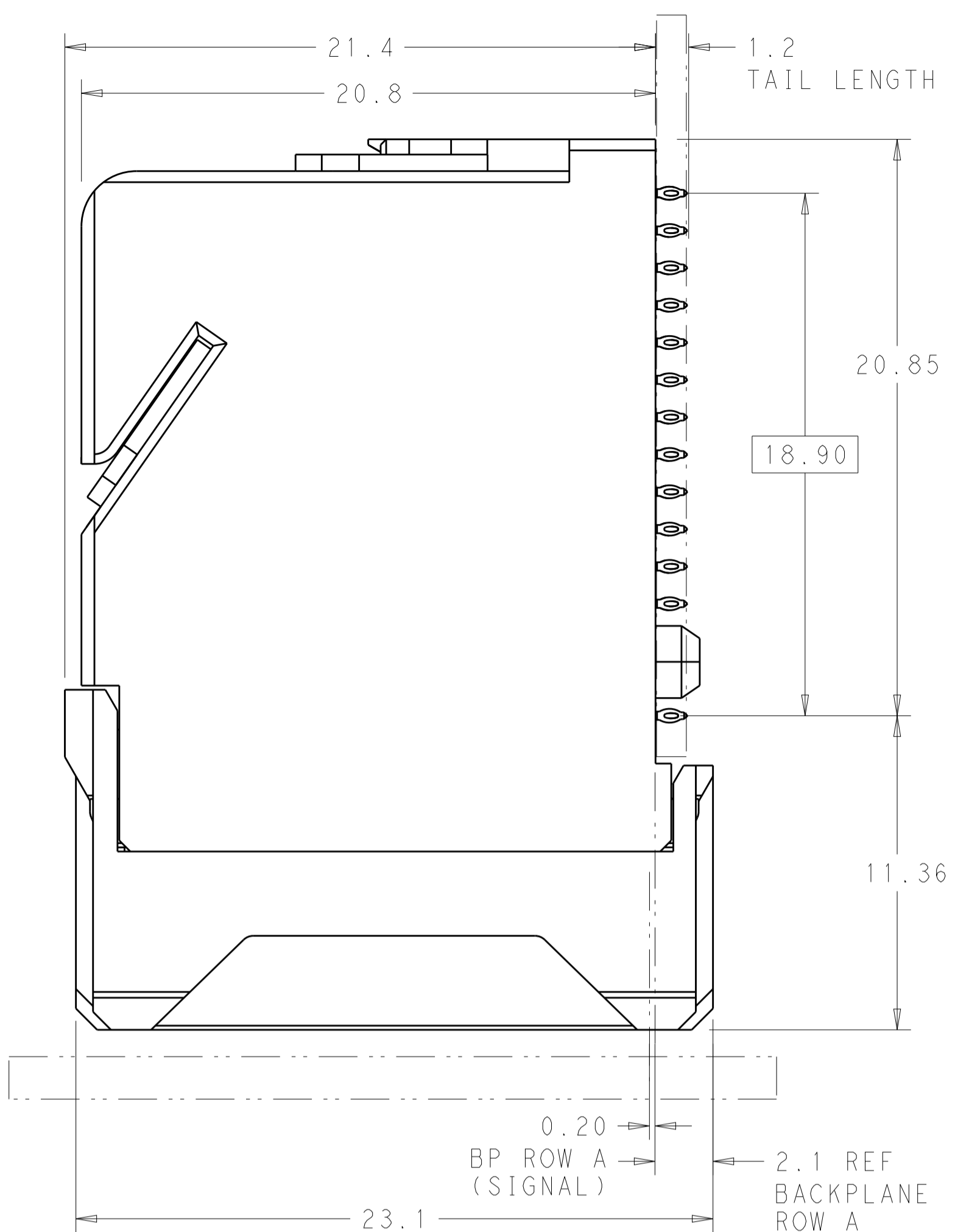
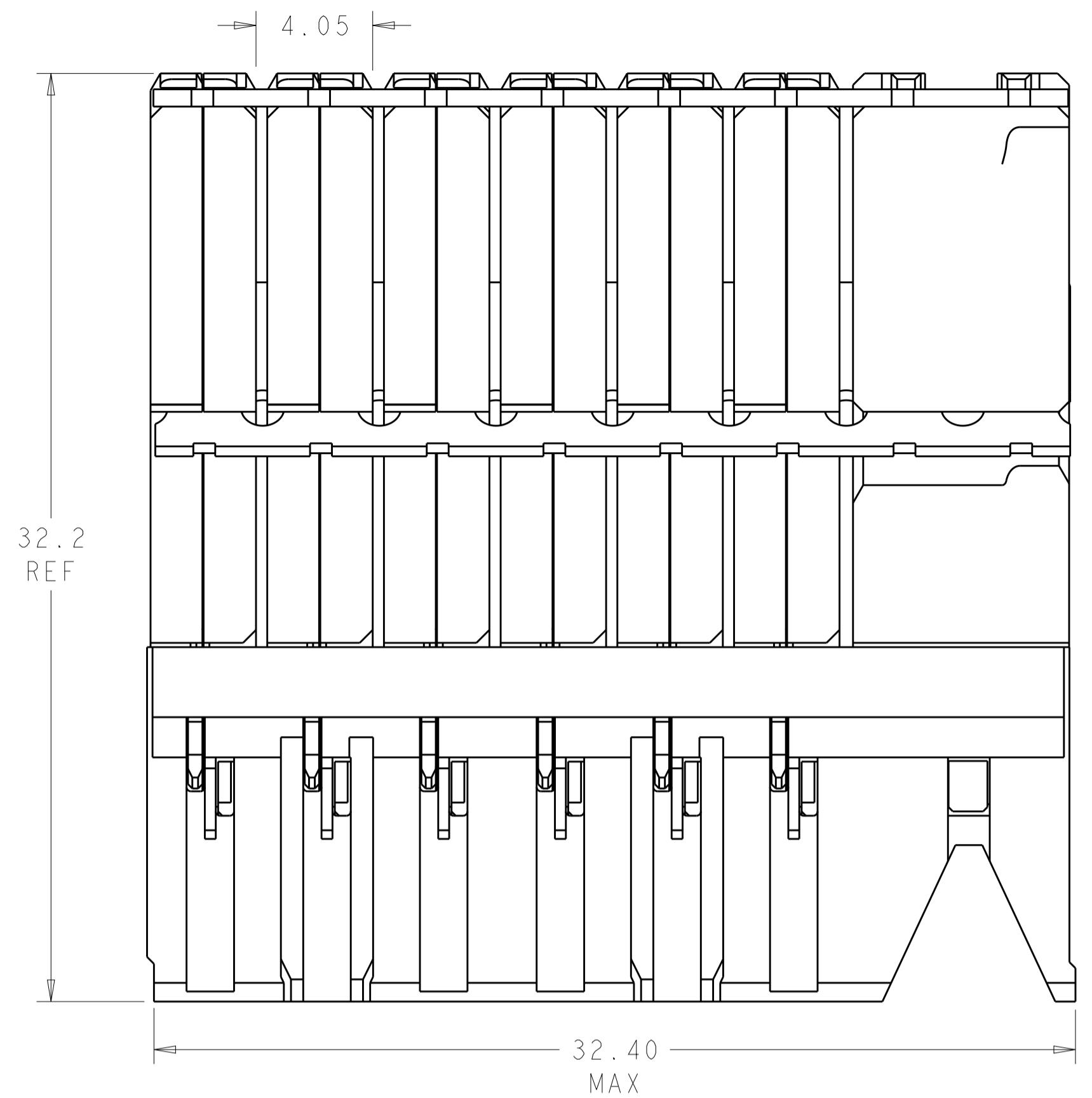
Email & Skype: info@chipsmall.com Web: www.chipsmall.com

Address: A1208, Overseas Decoration Building, #122 Zhenhua RD., Futian, Shenzhen, China

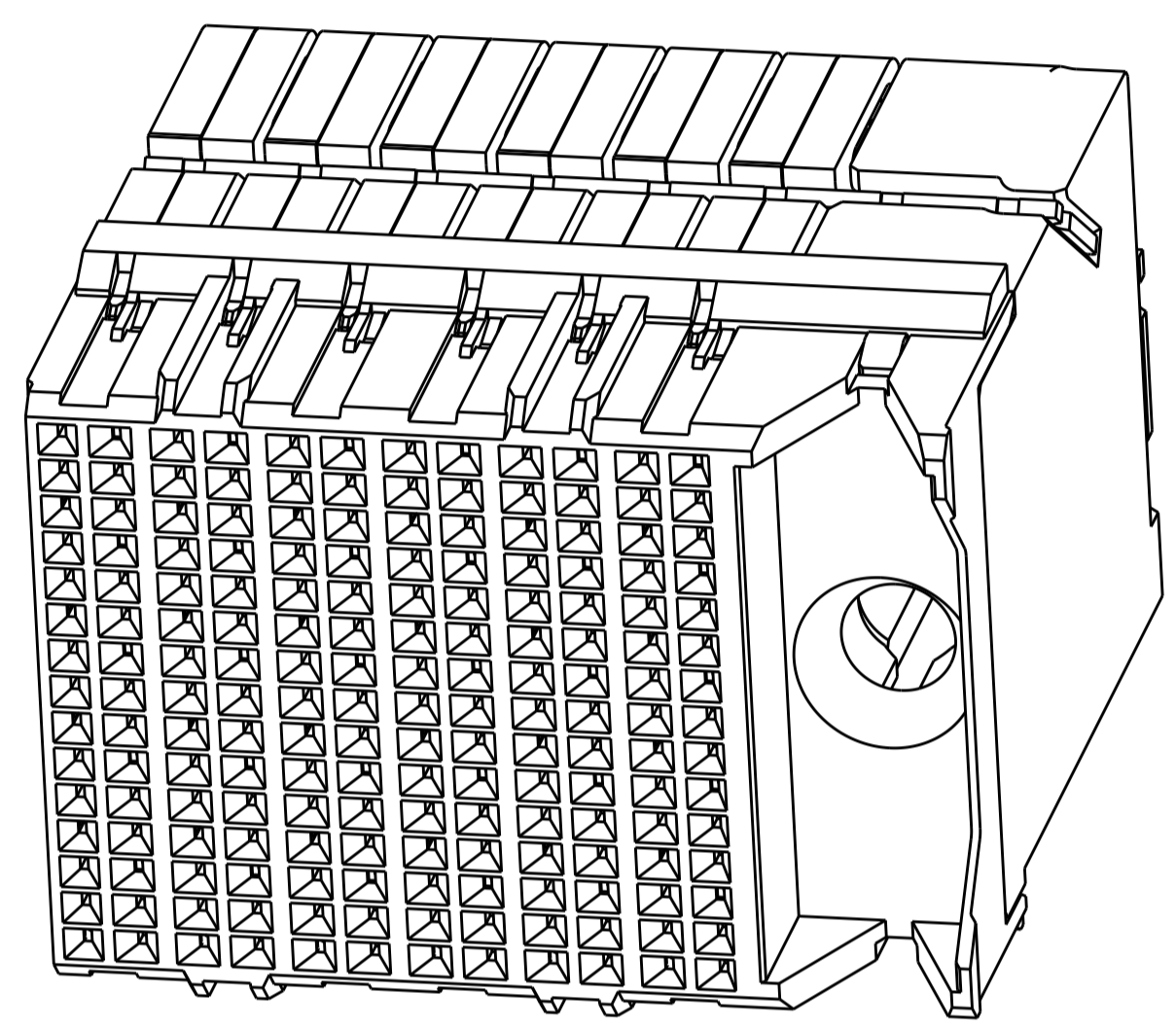


LOC	DIST	REV	DATE	BY	APPV
AD	00				

REVISIONS					
REV	DATE	BY	APPV	DESCRIPTION	DATE
D	10APR2015	AP	DD	REVISED PER ECO-15-004915	

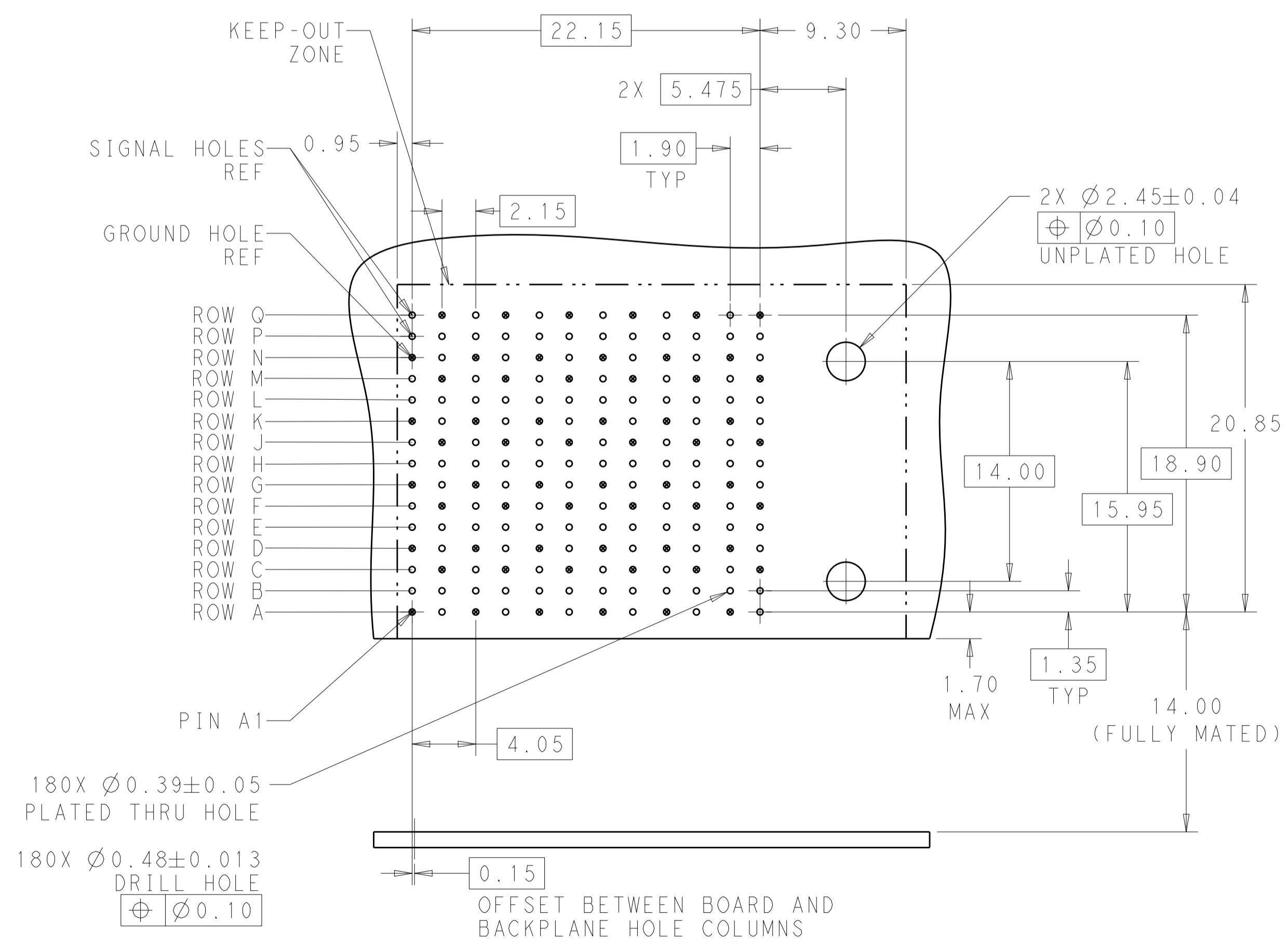
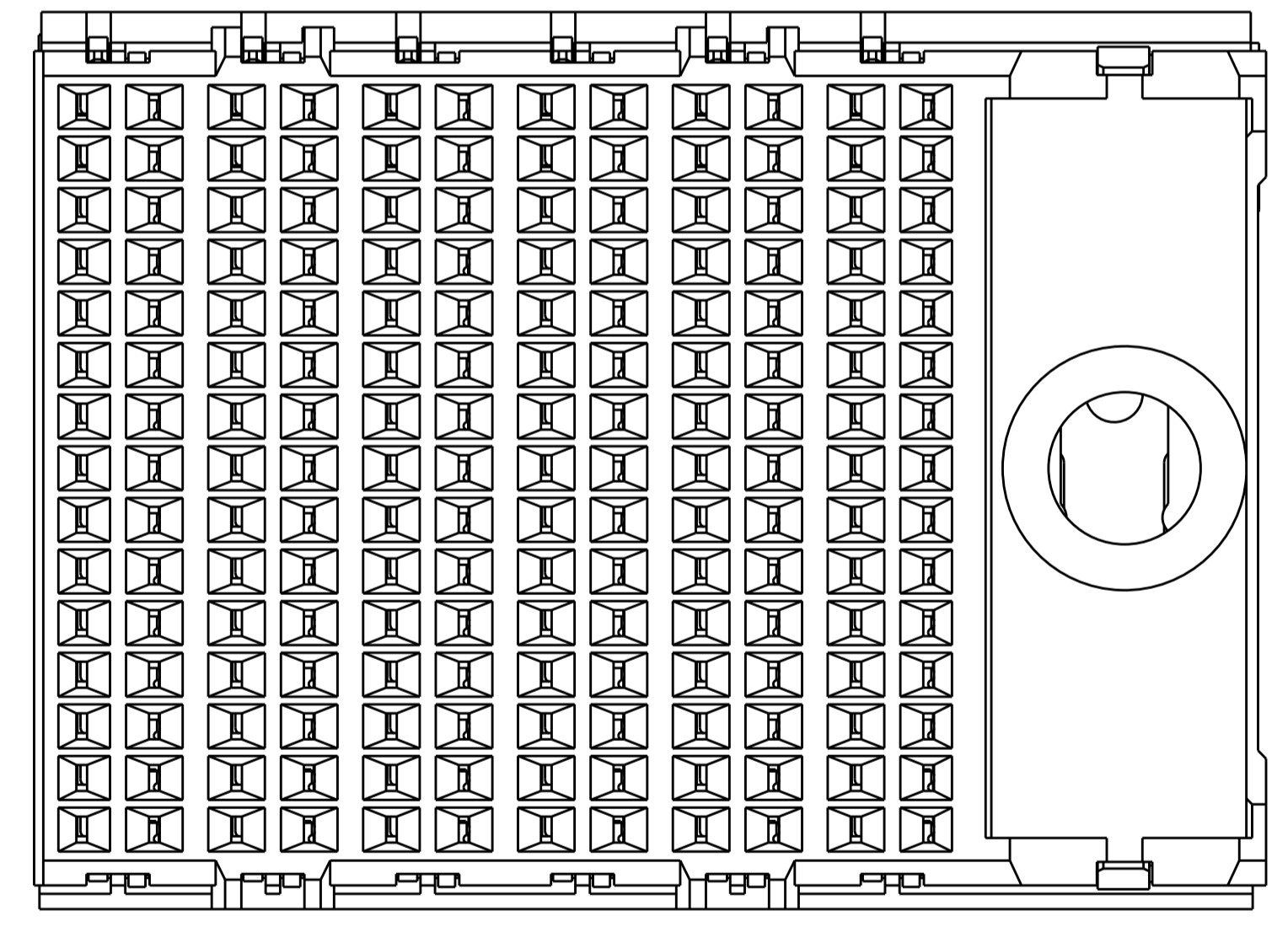


- ⚠ MATERIAL:
HOUSING: LCP, GLASS FILLED, UL94V-0.
TERMINALS: HIGH PERFORMANCE COPPER ALLOY.
- ⚠ FINISH:
30μ" SELECTIVE GOLD IN CONTACT AREA. SELECTIVE TIN ON PCB TAILS, NICKEL OVERALL.
- 3. CONNECTORS SUPPLIED WITH MOUNTING SCREWS.



SCALE 4:1

REFER TO WWW.TE.COM FOR PRODUCT AVAILABILITY



RECOMMENDED PCB LAYOUT
MIN BOARD THICKNESS 1.0

NONE	⚠	2132697-1
KEY POSITION	FINISH	PART NUMBER

THIS DRAWING IS A CONTROLLED DOCUMENT.		DWN - 29APR2011	TE Connectivity	
DIMENSIONS: mm		CHK D. DIXON 29APR2011	NAME: IMPACT, ORTHOGONAL, 5 PAIR, DAUGHTERCARD, 12 COLUMN, RIGHT GUIDED, SIGNAL MODULE, 0.39 EYELET	
TOLERANCES UNLESS OTHERWISE SPECIFIED:		APPV D. DIXON 29APR2011		
0 PLC	±	PRODUCT SPEC	SIZE	CAGE CODE
1 PLC	±0.25	APPLICATION SPEC	A1	00779
2 PLC	±0.15	FINISH	SEE TABLE	©=2132697
3 PLC	±	MATERIAL	SEE TABLE	
4 PLC	±	WEIGHT		
ANGLES	±	CUSTOMER DRAWING		
SCALE 6:1		SHEET 1 OF 1		REV D