



Chipsmall Limited consists of a professional team with an average of over 10 year of expertise in the distribution of electronic components. Based in Hongkong, we have already established firm and mutual-benefit business relationships with customers from,Europe,America and south Asia,supplying obsolete and hard-to-find components to meet their specific needs.

With the principle of "Quality Parts,Customers Priority,Honest Operation,and Considerate Service",our business mainly focus on the distribution of electronic components. Line cards we deal with include Microchip,ALPS,ROHM,Xilinx,Pulse,ON,Everlight and Freescale. Main products comprise IC,Modules,Potentiometer,IC Socket,Relay,Connector.Our parts cover such applications as commercial,industrial, and automotives areas.

We are looking forward to setting up business relationship with you and hope to provide you with the best service and solution. Let us make a better world for our industry!



Contact us

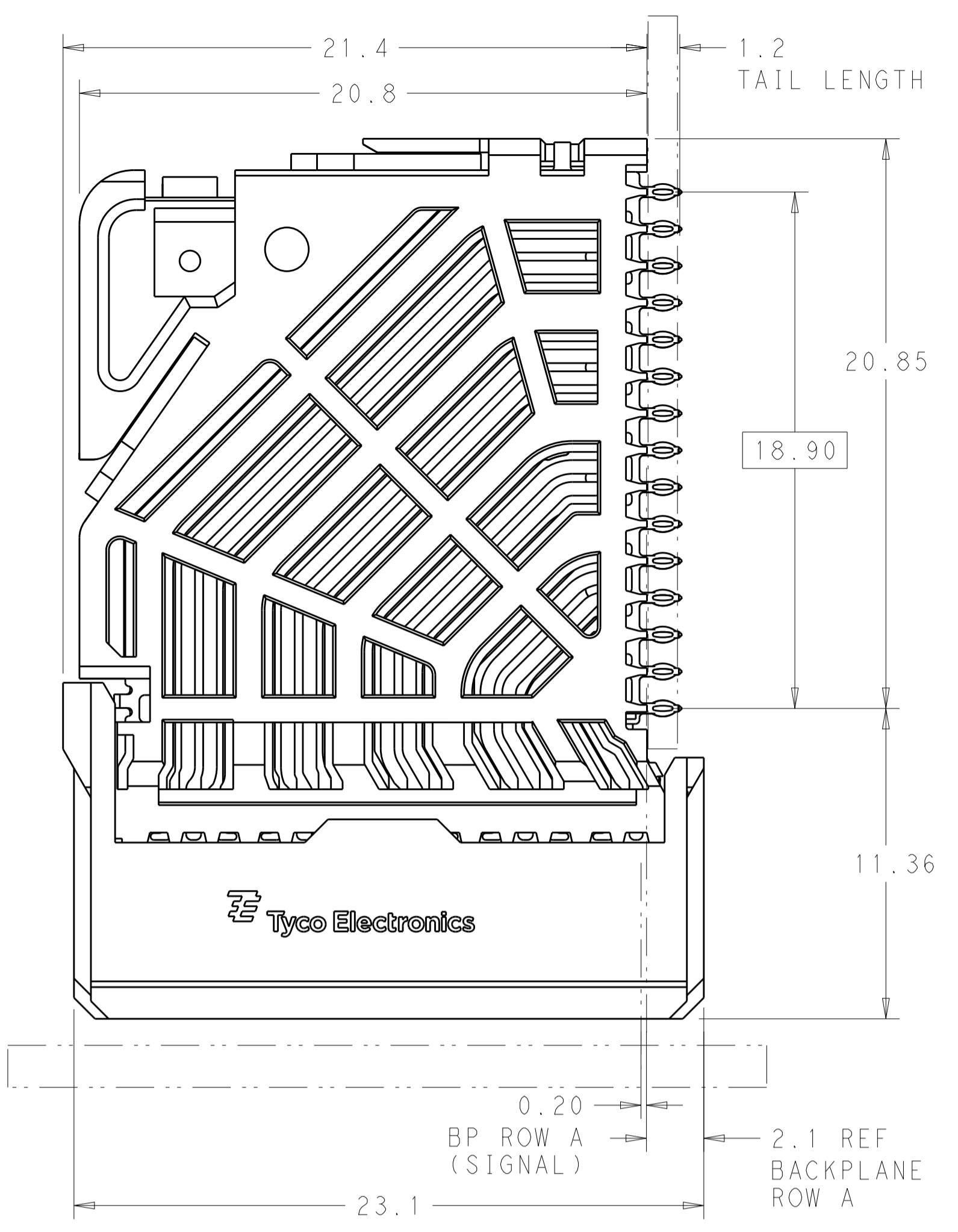
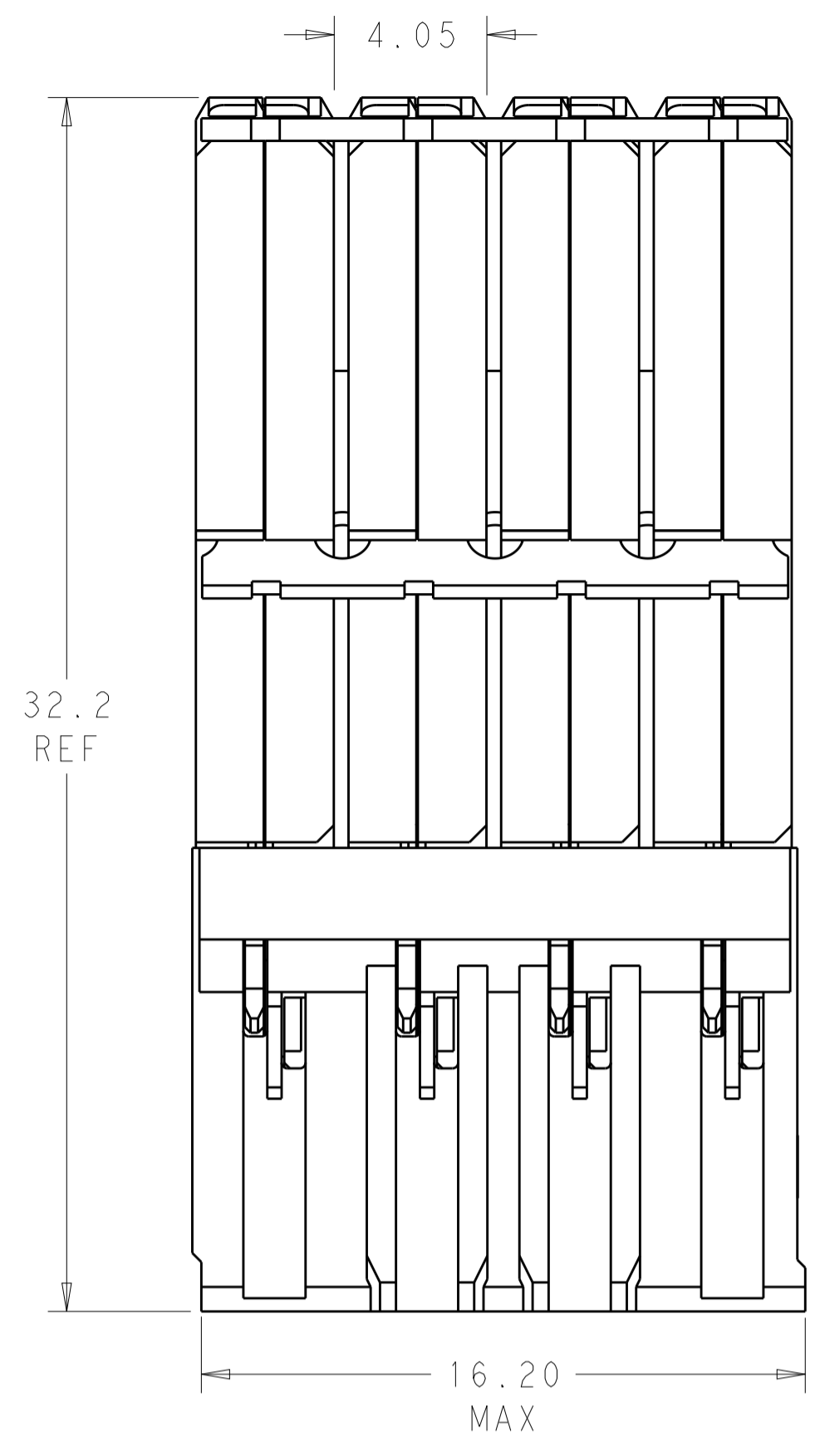
Tel: +86-755-8981 8866 Fax: +86-755-8427 6832

Email & Skype: info@chipsmall.com Web: www.chipsmall.com

Address: A1208, Overseas Decoration Building, #122 Zhenhua RD., Futian, Shenzhen, China

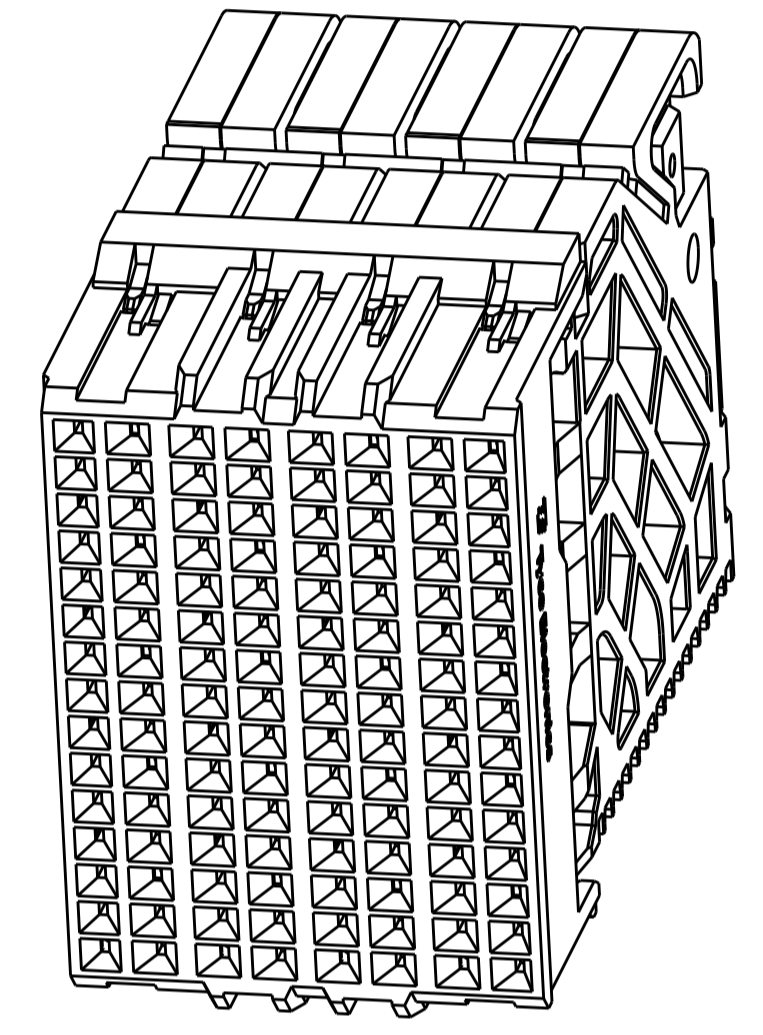


LOC	DIST	REVISIONS			
AD	00	REV	DATE	BY	APPV
		D	REVISED PER ECO-15-004915	13APR2015	AP DD



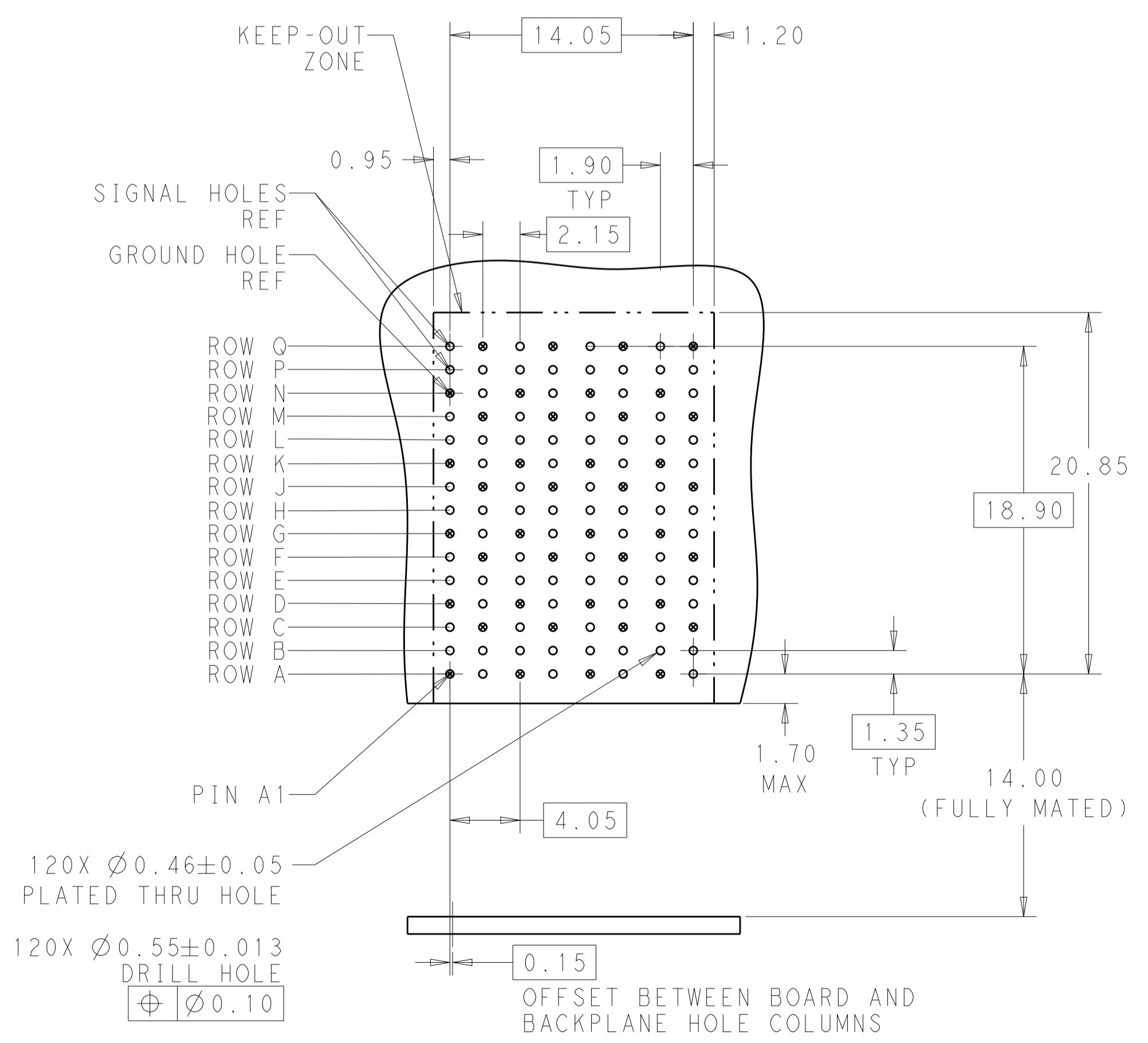
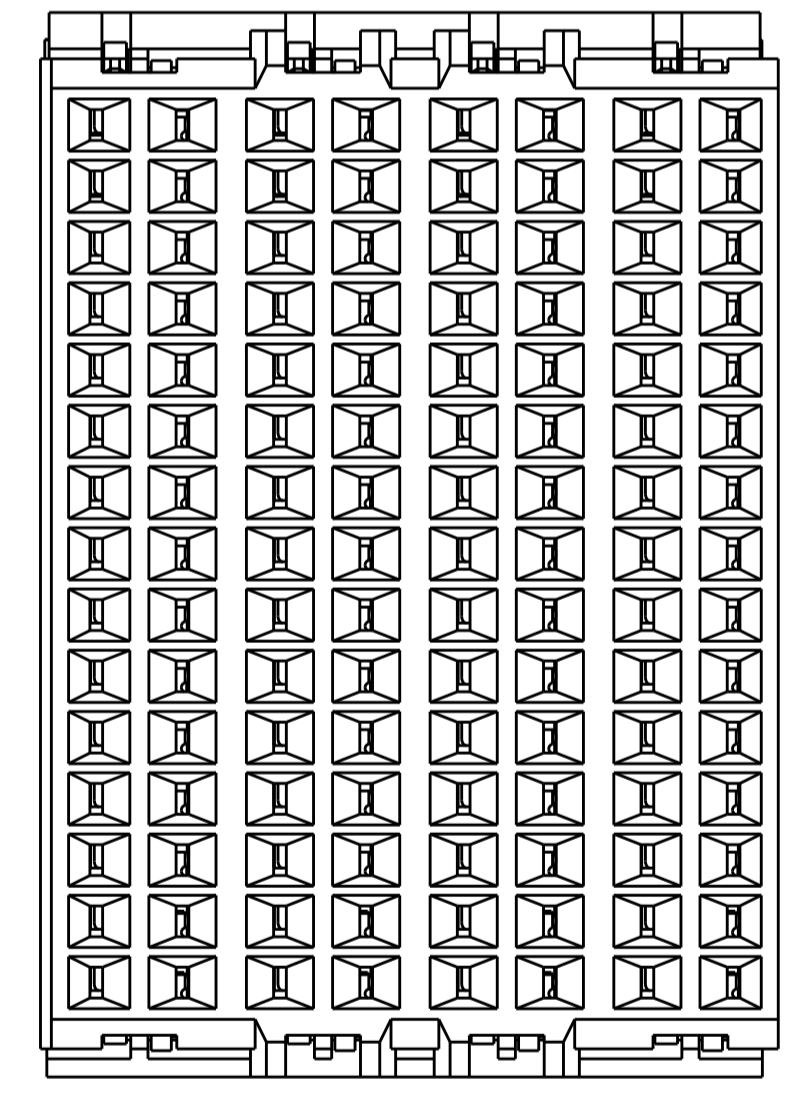
⚠ MATERIAL:
HOUSING: LCP, GLASS FILLED, UL94V-0.
TERMINALS: HIGH PERFORMANCE COPPER ALLOY.

⚠ FINISH:
30µ" SELECTIVE GOLD IN CONTACT AREA. SELECTIVE TIN ON PCB TAILS, NICKEL OVERALL.



SCALE 4:1

REFER TO WWW.TE.COM FOR PRODUCT AVAILABILITY



120X Ø0.46±0.05 PLATED THRU HOLE

120X Ø0.55±0.013 DRILL HOLE
⊕ Ø0.10

OFFSET BETWEEN BOARD AND BACKPLANE HOLE COLUMNS

RECOMMENDED PCB LAYOUT
MIN BOARD THICKNESS 1.0

NONE	⚠	2132701-1
KEY POSITION	FINISH	PART NUMBER

THIS DRAWING IS A CONTROLLED DOCUMENT.		DWN: 29APR2011	TE Connectivity	
DIMENSIONS: mm		CHK: D. DIXON 29APR2011	NAME: IMPACT. ORTHOGONAL, 5 PAIR, DAUGHTERCARD, 8 COLUMN, NO GUIDE, SIGNAL MODULE, 0.46 EYELET	
TOLERANCES UNLESS OTHERWISE SPECIFIED:		APPV: D. DIXON 29APR2011		
0 PLC	±	PRODUCT SPEC	SIZE: CAGE CODE: DRAWING NO: RESTRICTED TO	
1 PLC	±0.25	APPLICATION SPEC	A100779C=2132701	
2 PLC	±0.15	WEIGHT	SCALE: 6:1 SHEET 1 OF 1 REV D	
3 PLC	±	CUSTOMER DRAWING		
4 PLC	±			
ANGLES	±			
MATERIAL	SEE TABLE			