



Chipsmall Limited consists of a professional team with an average of over 10 year of expertise in the distribution of electronic components. Based in Hongkong, we have already established firm and mutual-benefit business relationships with customers from,Europe,America and south Asia,supplying obsolete and hard-to-find components to meet their specific needs.

With the principle of "Quality Parts,Customers Priority,Honest Operation,and Considerate Service",our business mainly focus on the distribution of electronic components. Line cards we deal with include Microchip,ALPS,ROHM,Xilinx,Pulse,ON,Everlight and Freescale. Main products comprise IC,Modules,Potentiometer,IC Socket,Relay,Connector.Our parts cover such applications as commercial,industrial, and automotives areas.

We are looking forward to setting up business relationship with you and hope to provide you with the best service and solution. Let us make a better world for our industry!



Contact us

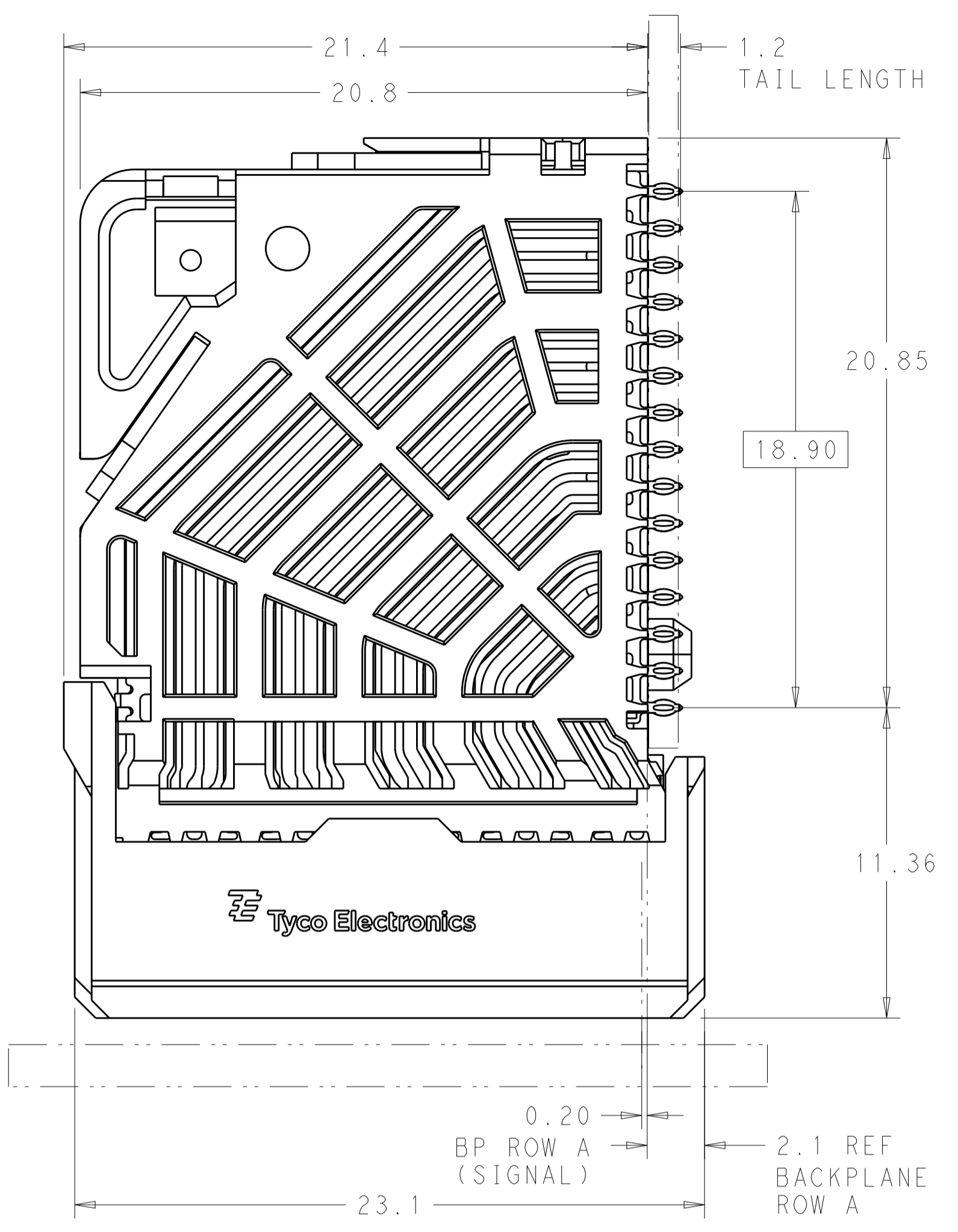
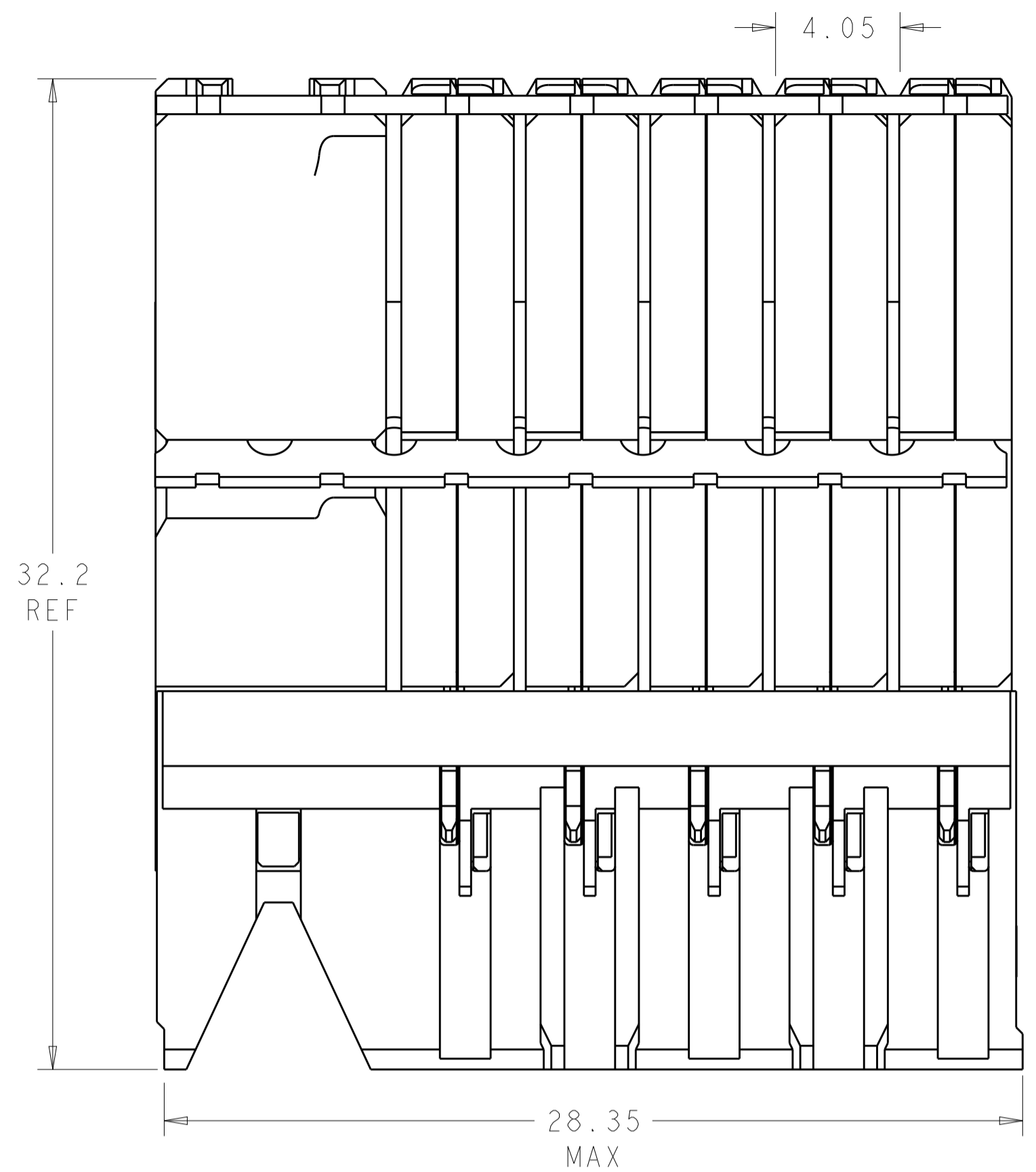
Tel: +86-755-8981 8866 Fax: +86-755-8427 6832

Email & Skype: info@chipsmall.com Web: www.chipsmall.com

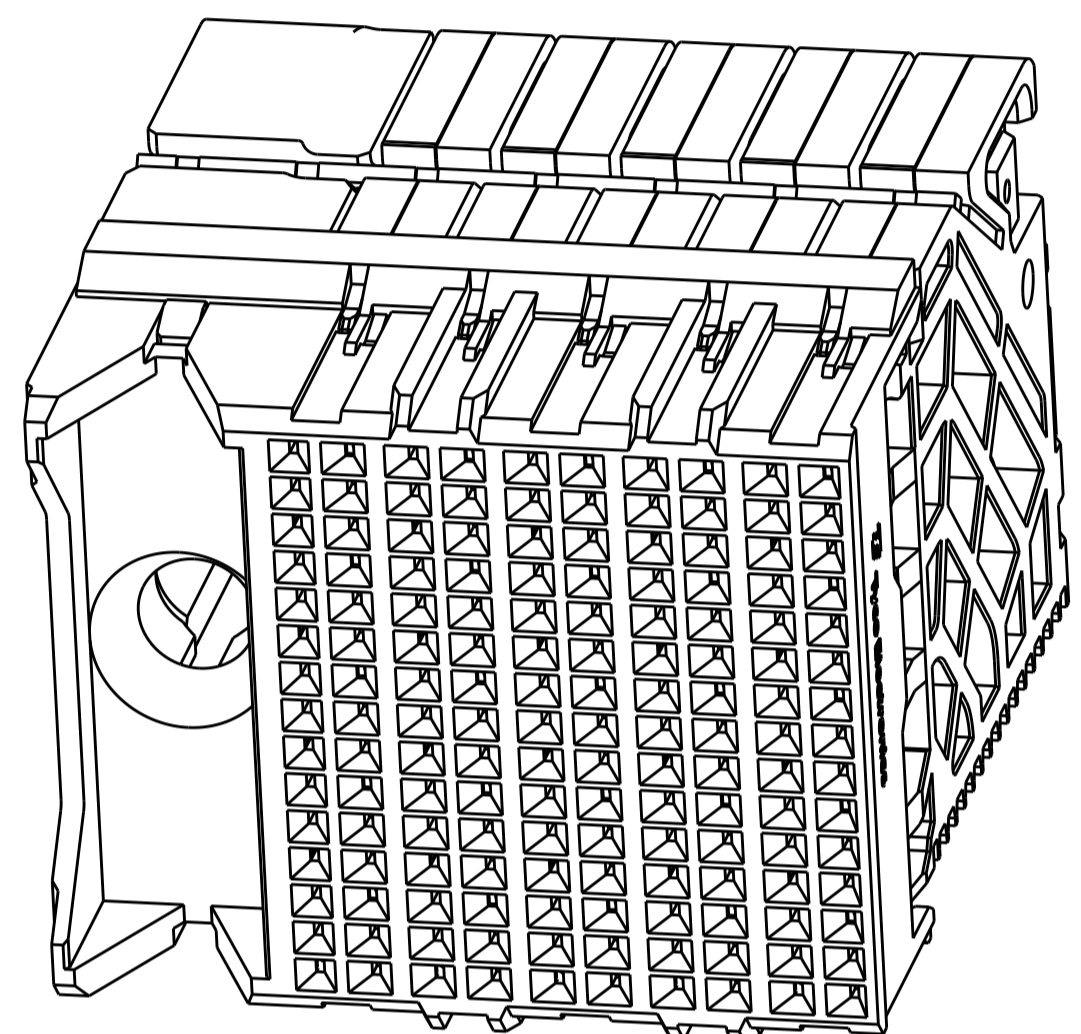
Address: A1208, Overseas Decoration Building, #122 Zhenhua RD., Futian, Shenzhen, China



LOC	DIST	REVISIONS			
AD	00	REV	DATE	BY	APPV
		C	REVISED PER ECO-15-004915	13APR2015	AP DD

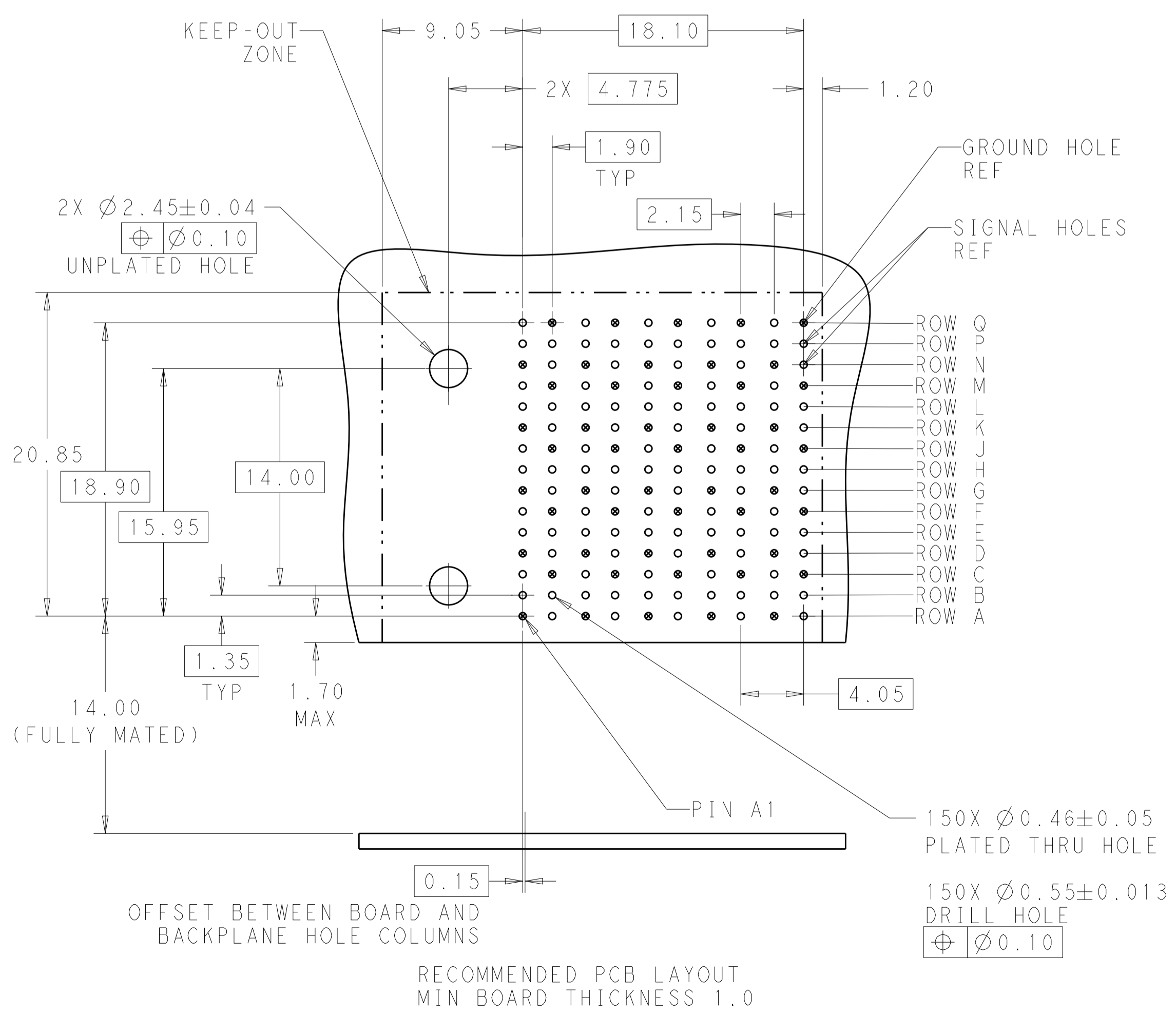
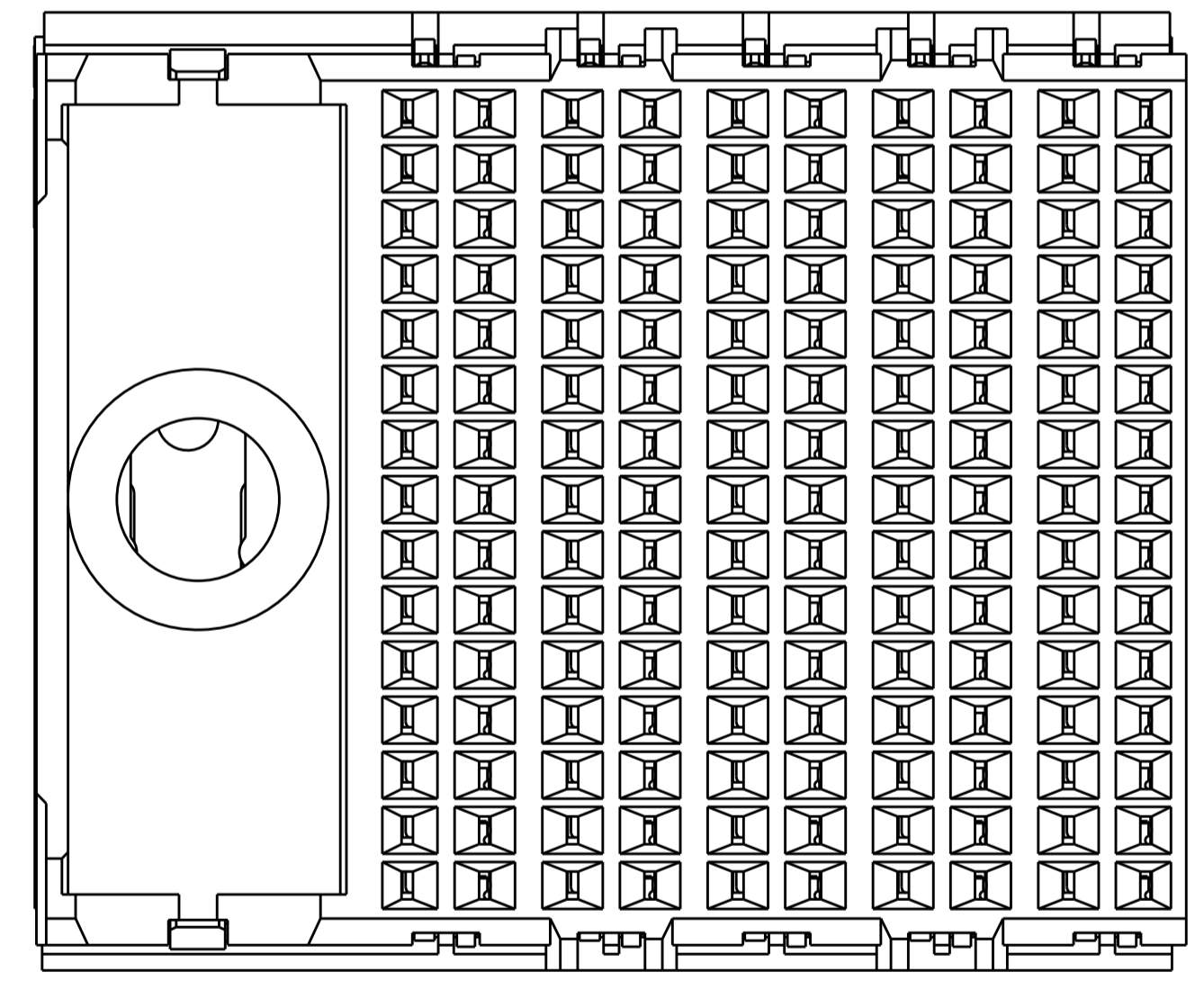


- ⚠ MATERIAL:
HOUSING: LCP, GLASS FILLED, UL94V-0.
TERMINALS: HIGH PERFORMANCE COPPER ALLOY.
- ⚠ FINISH:
30μ" SELECTIVE GOLD IN CONTACT AREA. SELECTIVE TIN ON PCB TAILS, NICKEL OVERALL.
- 3. CONNECTORS SUPPLIED WITH MOUNTING SCREWS.



SCALE 4:1

REFER TO WWW.TE.COM FOR PRODUCT AVAILABILITY



NONE		2132702-1	
KEY POSITION		PART NUMBER	
FINISH		2	
STE TE Connectivity			
DWN: 29APR2011		NAME: IMPACT, ORTHOGONAL, 5 PAIR, DAUGHTERCARD, 10 COLUMN, LEFT GUIDED, SIGNAL MODULE, 0.46 EYELET	
CHK: D. DIXON 29APR2011		PRODUCT SPEC: APPLICATION SPEC	
APVD: D. DIXON 29APR2011		SIZE: CAGE CODE: DRAWING NO: RESTRICTED TO: A100779C=2132702	
MATERIAL: SEE TABLE		WEIGHT: CUSTOMER DRAWING	
SCALE: 6:1		SHEET 1 OF 1 REV C	