



Chipsmall Limited consists of a professional team with an average of over 10 year of expertise in the distribution of electronic components. Based in Hongkong, we have already established firm and mutual-benefit business relationships with customers from,Europe,America and south Asia,supplying obsolete and hard-to-find components to meet their specific needs.

With the principle of "Quality Parts,Customers Priority,Honest Operation,and Considerate Service",our business mainly focus on the distribution of electronic components. Line cards we deal with include Microchip,ALPS,ROHM,Xilinx,Pulse,ON,Everlight and Freescale. Main products comprise IC,Modules,Potentiometer,IC Socket,Relay,Connector.Our parts cover such applications as commercial,industrial, and automotives areas.

We are looking forward to setting up business relationship with you and hope to provide you with the best service and solution. Let us make a better world for our industry!



Contact us

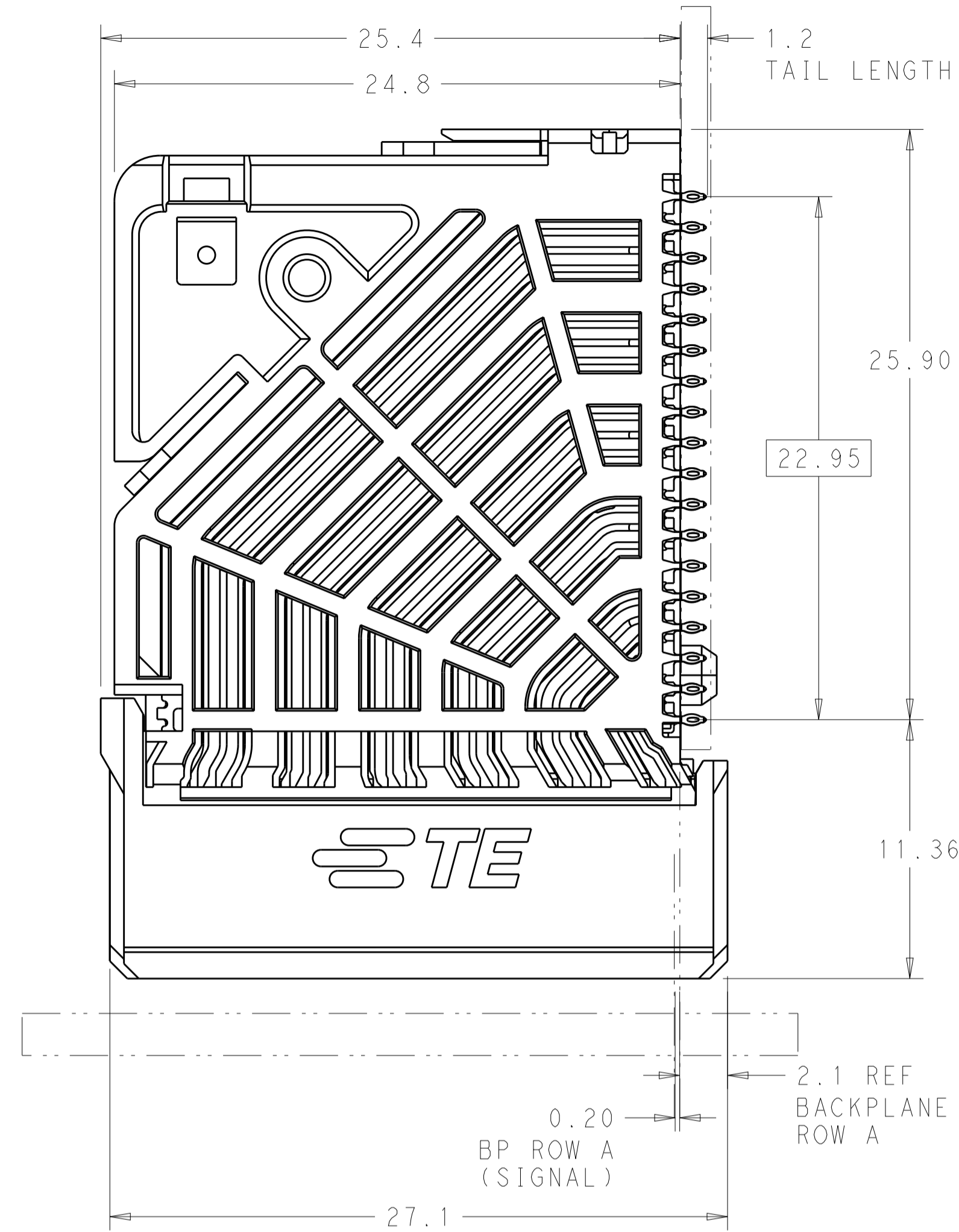
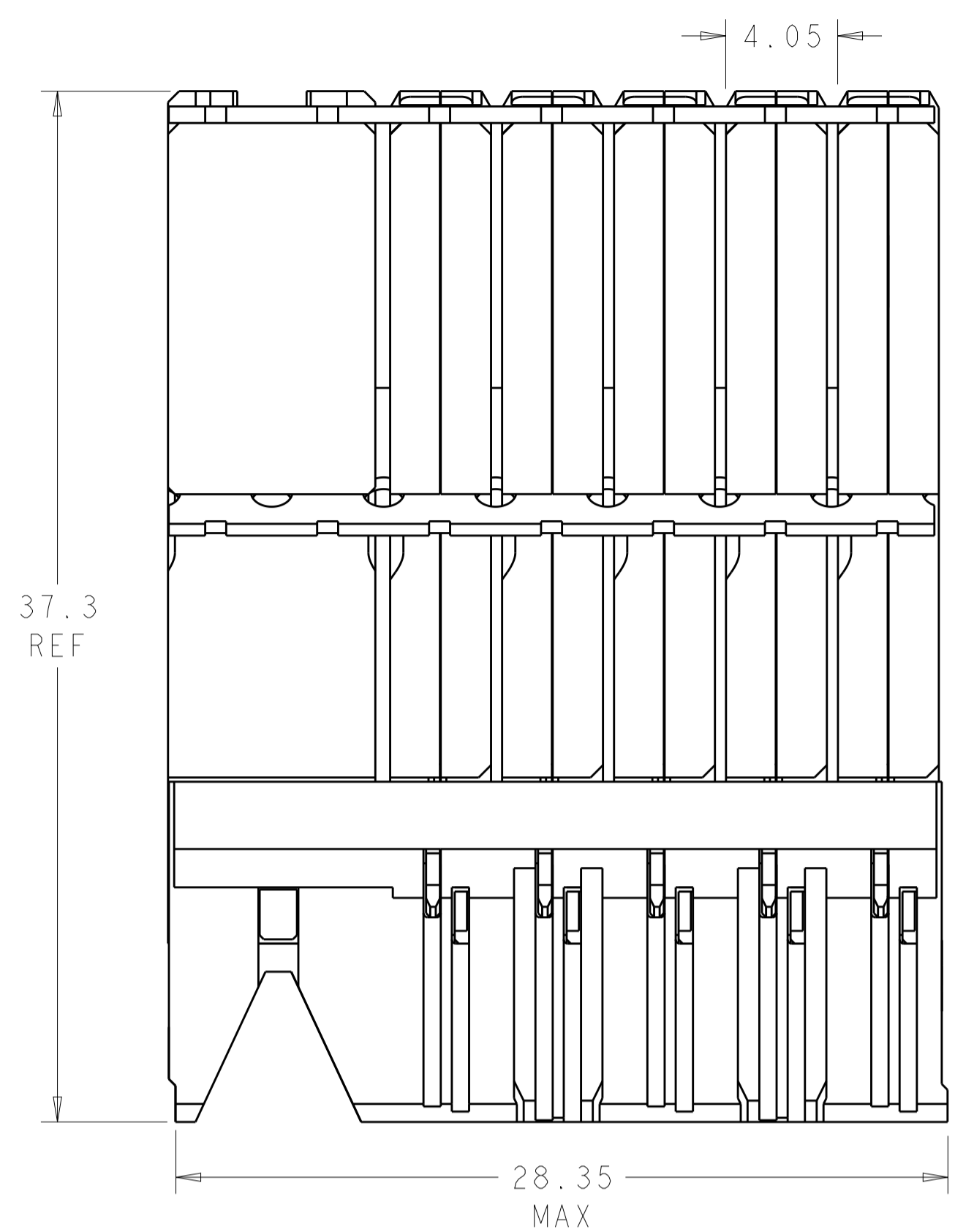
Tel: +86-755-8981 8866 Fax: +86-755-8427 6832

Email & Skype: info@chipsmall.com Web: www.chipsmall.com

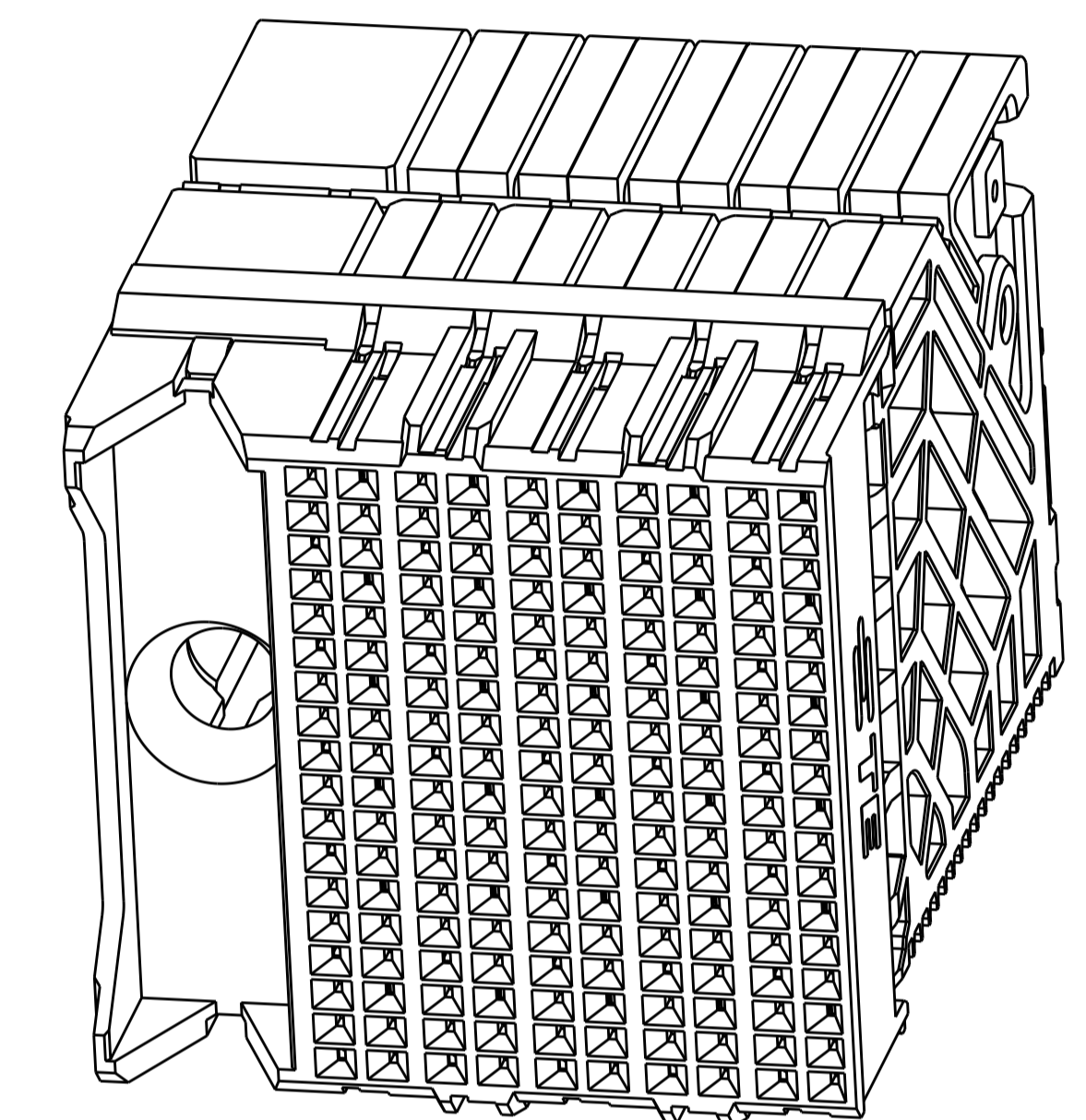
Address: A1208, Overseas Decoration Building, #122 Zhenhua RD., Futian, Shenzhen, China



LOC		DIST		REVISIONS			
AD	00	P	LTN	DESCRIPTION	DATE	DWN	APVD
		D		REVISED PER ECO-15-012351	03SEP2015	AP	SY

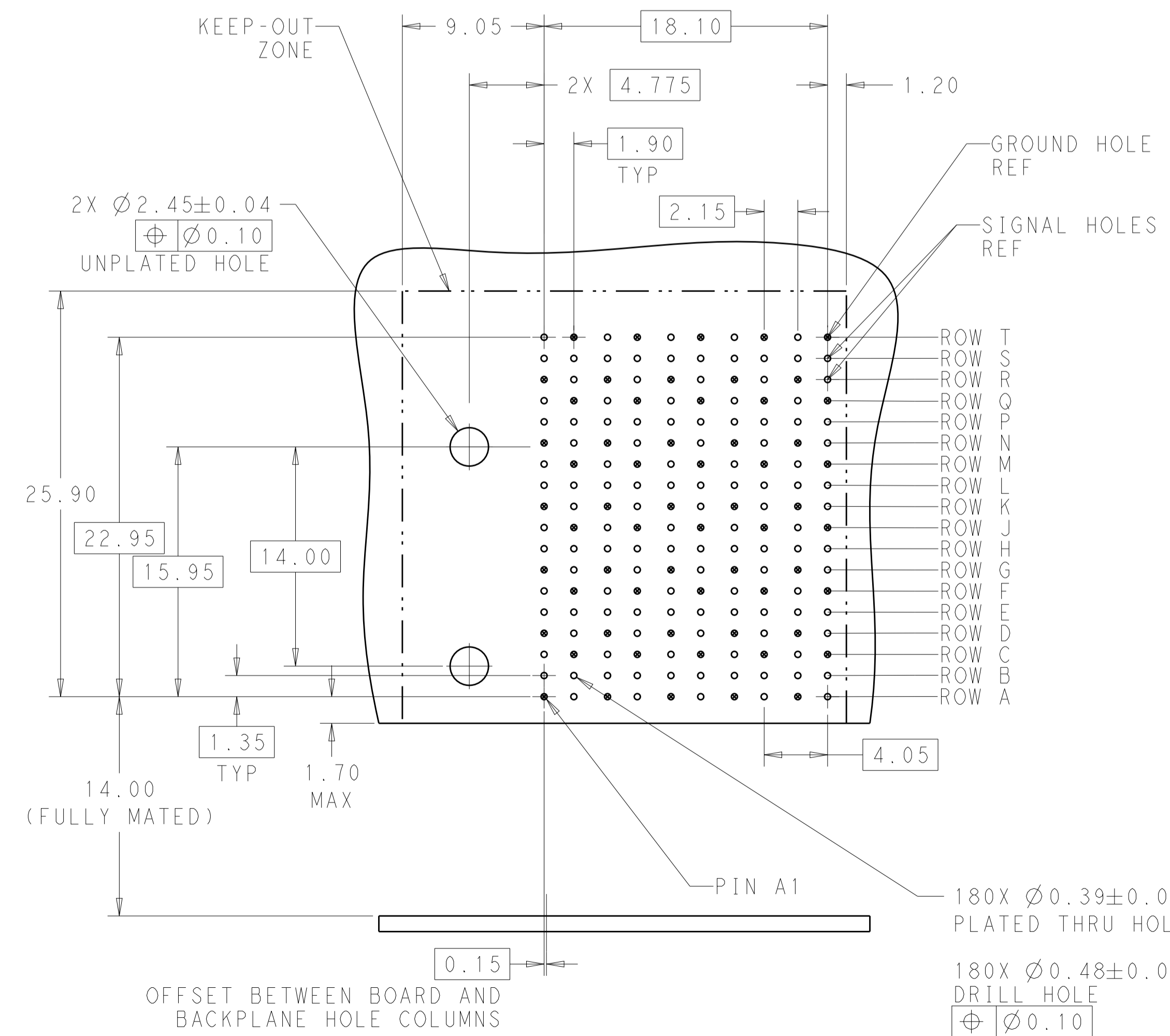
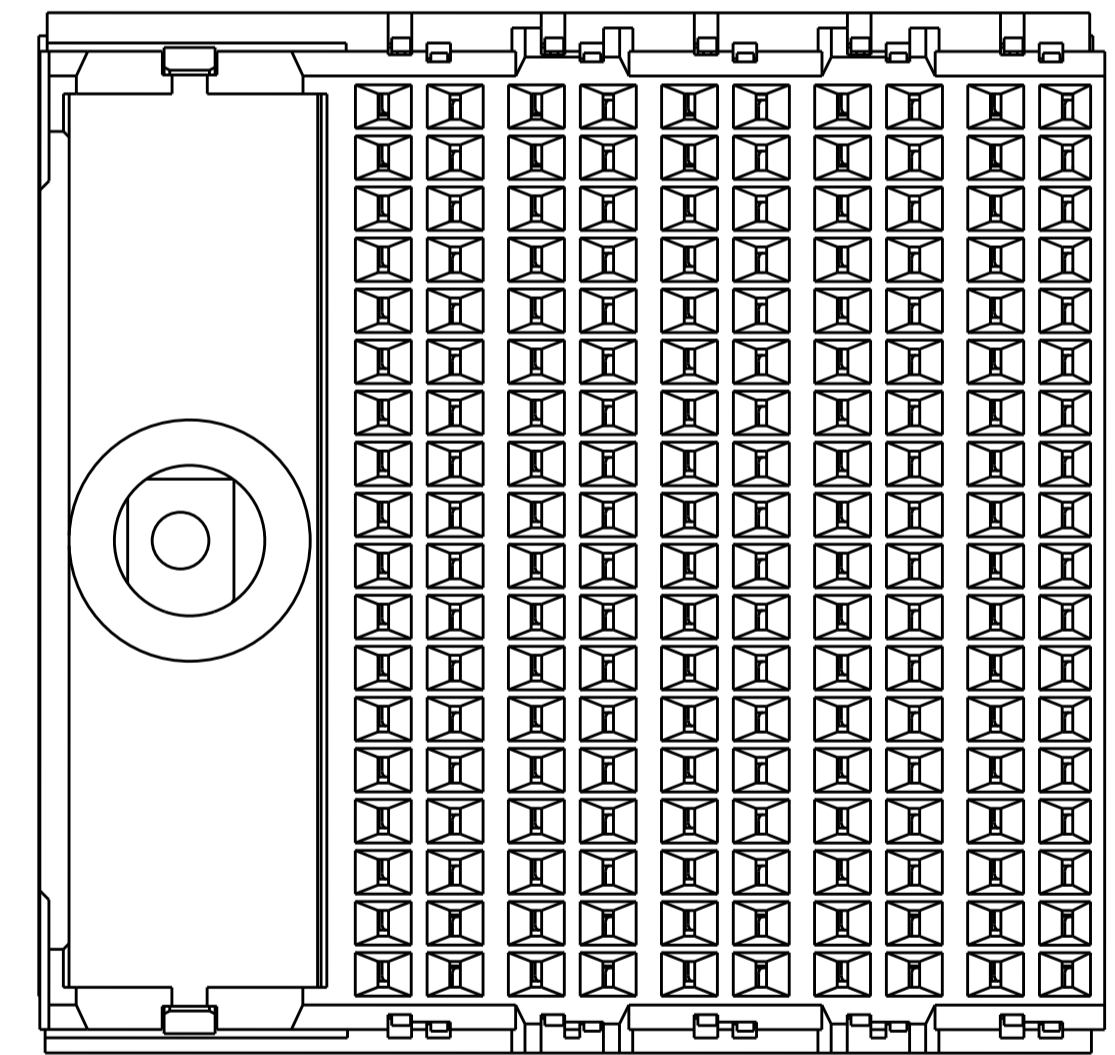


- ⚠ MATERIAL:
HOUSING: LCP, GLASS FILLED, UL94V-0.
TERMINALS: HIGH PERFORMANCE COPPER ALLOY.
- ⚠ FINISH:
30μ" SELECTIVE GOLD IN CONTACT AREA. SELECTIVE TIN ON PCB TAILS, NICKEL OVERALL.
- 3. CONNECTORS SUPPLIED WITH MOUNTING SCREWS.



SCALE 4:1

REFER TO WWW.TE.COM FOR PRODUCT AVAILABILITY



RECOMMENDED PCB LAYOUT
 MIN BOARD THICKNESS 1.0

NONE	⚠	2132724-1
KEY POSITION	FINISH	PART NUMBER

THIS DRAWING IS A CONTROLLED DOCUMENT.		DWN	11MAY2011	TE Connectivity
DIMENSIONS: mm		CHK	11MAY2011	
TOLERANCES UNLESS OTHERWISE SPECIFIED:		APVD	11MAY2011	NAME IMPACT, ORTHOGONAL, 6 PAIR, DAUGHTERCARD, 10 COLUMN, LEFT GUIDED, SIGNAL MODULE, 0.39 EYELET
0 PLC ±		PRODUCT SPEC		
1 PLC ±0.25		APPLICATION SPEC		SIZE CAGE CODE DRAWING NO RESTRICTED TO A1 00779 ©=2132724
2 PLC ±0.15		WEIGHT		
3 PLC ±		Customer Drawing		SCALE 5:1 SHEET 1 OF 1 REV D
4 PLC ±				
ANGLES ±				
MATERIAL ⚠				
FINISH SEE TABLE				