



Chipsmall Limited consists of a professional team with an average of over 10 year of expertise in the distribution of electronic components. Based in Hongkong, we have already established firm and mutual-benefit business relationships with customers from,Europe,America and south Asia,supplying obsolete and hard-to-find components to meet their specific needs.

With the principle of “Quality Parts,Customers Priority,Honest Operation,and Considerate Service”,our business mainly focus on the distribution of electronic components. Line cards we deal with include Microchip,ALPS,ROHM,Xilinx,Pulse,ON,Everlight and Freescale. Main products comprise IC,Modules,Potentiometer,IC Socket,Relay,Connector.Our parts cover such applications as commercial,industrial, and automotives areas.

We are looking forward to setting up business relationship with you and hope to provide you with the best service and solution. Let us make a better world for our industry!



Contact us

Tel: +86-755-8981 8866 Fax: +86-755-8427 6832

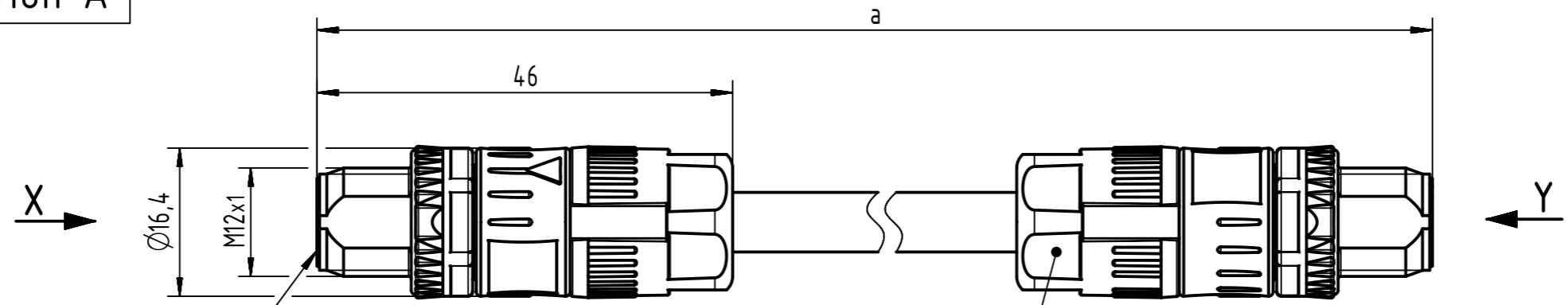
Email & Skype: info@chipsmall.com Web: www.chipsmall.com

Address: A1208, Overseas Decoration Building, #122 Zhenhua RD., Futian, Shenzhen, China

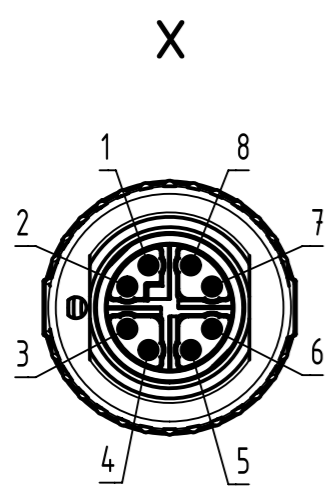


Connector Location A

Connector Location B

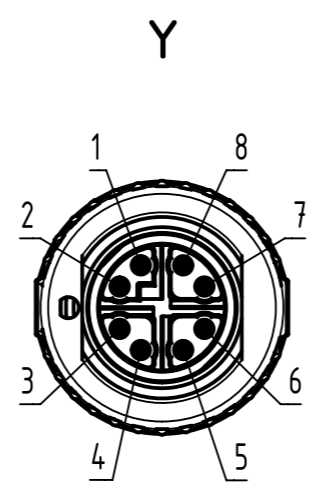


Mating face acc. to IEC 61076-2-109
M12 X-coded Slim Design, crimp male straight 8-pole



Loading-Plan

Shield	
1	White/orange
2	Orange
3	White/green
4	Green
5	White/brown
6	Brown
7	White/blue
8	Blue



length in 1m step	100	XXX=000
	99	XXX=990
	.	.
	.	.
	.	.
length in 0.1m step	12	XXX=120
	11	XXX=110
	10	XXX=100
	9.9	XXX=099
	9.8	XXX=098
	.	.
	.	.
Step	a [m]	XXX

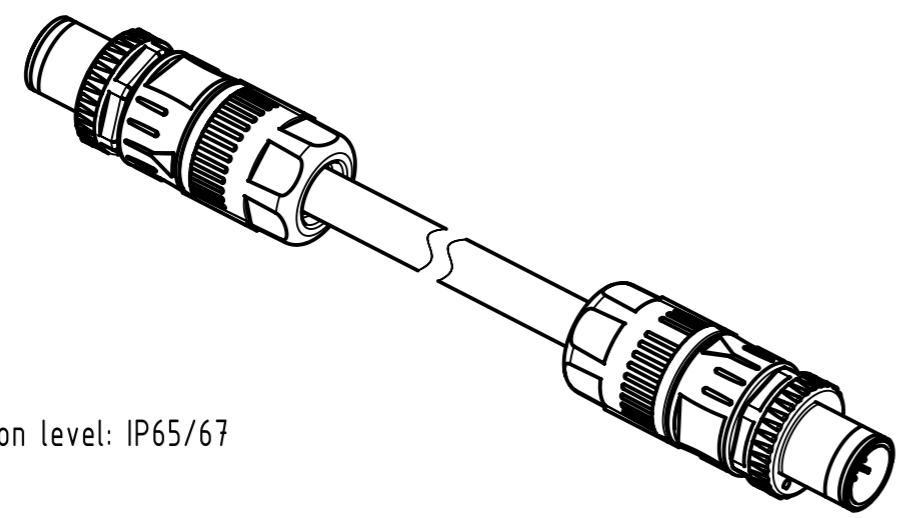
6.0 to 100	±1%
0.6 to 5.9	+0.04
0.2 to 0.5	+0.02
a [m]	Tolerance [m]

Part no.	213301018XXXXX
----------	----------------

Type of cable	Temp.	XX
RJI Ethernet stranded cable, 4x2xAWG26/7, Cat.6A, PUR, yellow	-40°C ... +80°C	XX=10
RJI Ethernet flexible cable, 4x2xAWG 26/7, Cat.7A, PUR yellow	-40°C ... +70°C	XX=50
RJI EtherRail cable 4x2xAWG 24/7, Cat.7, PE, black	-40°C ... +80°C	XX=53

All Dimensions in mm
 Tech. Character.
 Free size tol.
 According to production drawing

 All rights reserved Department HCS - RO HARTING Customised Solutions D-32427 Minden	Created by COSTEA	Inspected by MUNTEANV	Standardisation AVRAM	Date 2017-09-20	State Final Release
	Title M12 X-coded Cable Assembly				Doc-Key / ECM-Nr. 100542214/UGD/004/D 500000125542
Type TB		Number 213301018XXXXX		Rev. D	Page 1/1



- Protection level: IP65/67