



Chipsmall Limited consists of a professional team with an average of over 10 year of expertise in the distribution of electronic components. Based in Hongkong, we have already established firm and mutual-benefit business relationships with customers from,Europe,America and south Asia,supplying obsolete and hard-to-find components to meet their specific needs.

With the principle of “Quality Parts,Customers Priority,Honest Operation,and Considerate Service”,our business mainly focus on the distribution of electronic components. Line cards we deal with include Microchip,ALPS,ROHM,Xilinx,Pulse,ON,Everlight and Freescale. Main products comprise IC,Modules,Potentiometer,IC Socket,Relay,Connector.Our parts cover such applications as commercial,industrial, and automotives areas.

We are looking forward to setting up business relationship with you and hope to provide you with the best service and solution. Let us make a better world for our industry!



## Contact us

Tel: +86-755-8981 8866 Fax: +86-755-8427 6832

Email & Skype: info@chipsmall.com Web: www.chipsmall.com

Address: A1208, Overseas Decoration Building, #122 Zhenhua RD., Futian, Shenzhen, China



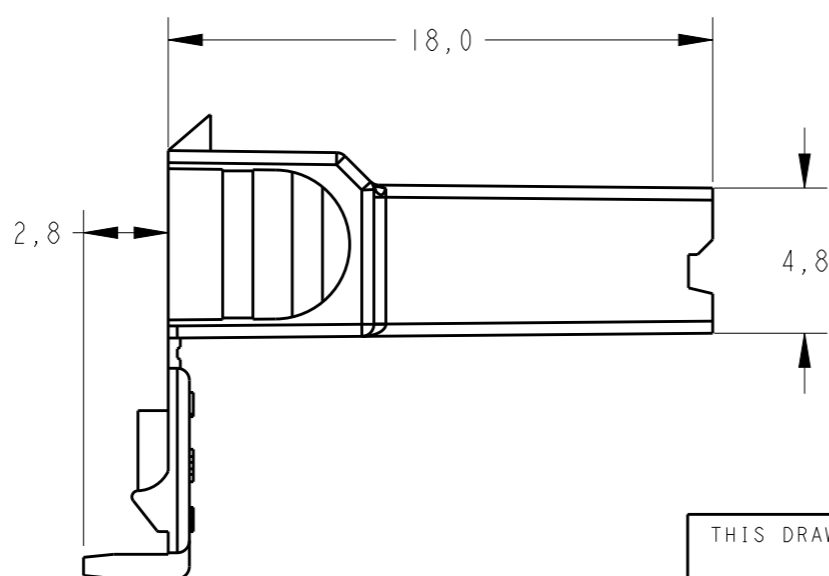
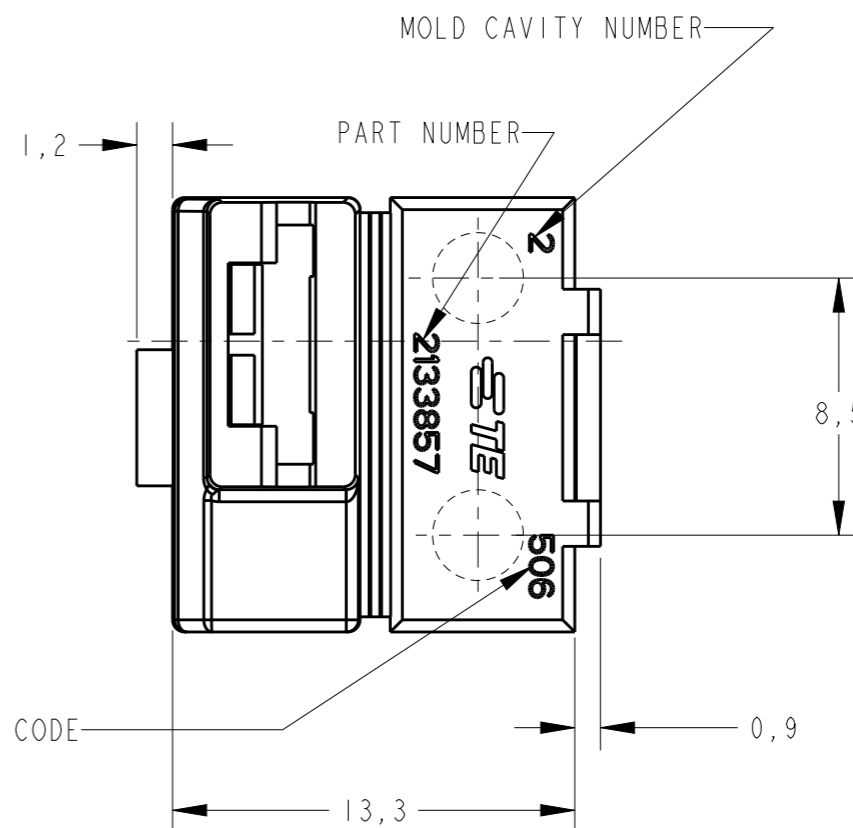
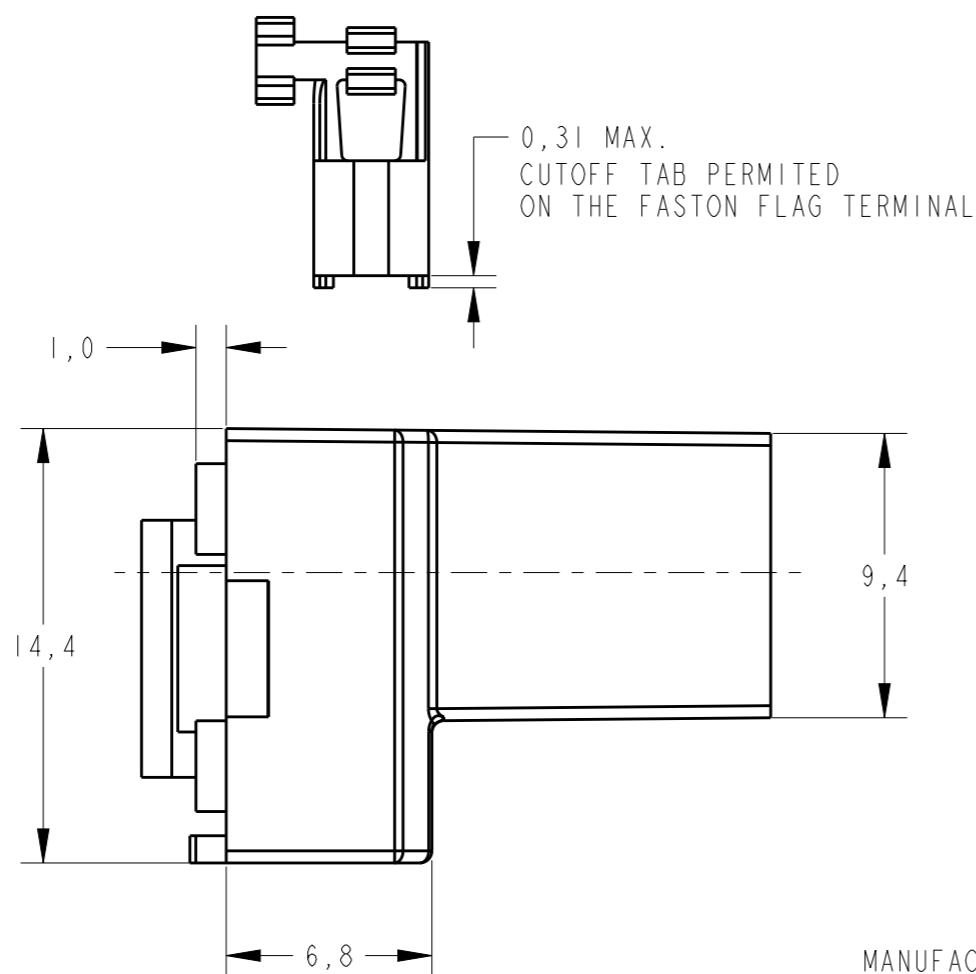
THIS DRAWING IS UNPUBLISHED.

RELEASED FOR PUBLICATION

© COPYRIGHT copyright\_dBTe-TE CONNECTIVITY

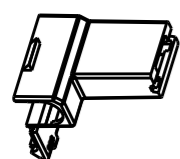
ALL RIGHTS RESERVED.

LOC	DIST	P	LTR	DESCRIPTION	DATE	DWN	APVD
-	-		D	REVISED BY ECO 16-011267	29JULY2016	HC	WLS
			E	REV. BY ECO 16-018480	02JAN2017	HC	WLS



△-MATERIAL ACC. TO IEC 60335-1 850C WITHOUT FLAME

COLOR	MATERIAL	PART NUMBER
NATURAL	△ PA 6.6 V-0	2133857-4
BLACK	PA 6.6 V-2 THERMO STABILIZED	2133857-3
BLACK	PA 6.6 V-2	2133857-2
NATURAL	PA 6.6 V-2	2133857-1



SCALE 1:1

THIS DRAWING IS A CONTROLLED DOCUMENT.		DWN H.C.CANTER	23MAI2013		<b>STE</b> TE Connectivity
		CHK W.L.STEFANI	23MAI2013		
DIMENSIONS: mm		TOLERANCES UNLESS OTHERWISE SPECIFIED:		NAME HSG. FLAG .250 SRS. FASTON REC.	
0 PLC ±0,3		1 PLC ±0,2		SIZE A3	
2 PLC ±0,2		3 PLC ±		CAGE CODE -	
3 PLC ±		4 PLC ±		DRAWING NO C-2133857	
4 PLC ±		ANGLES ±		RESTRICTED TO -	
MATERIAL -		FINISH -		SCALE 4/1	
		WEIGHT -		SHEET 1 OF 1	
		Customer Drawing		REV E	