



Chipsmall Limited consists of a professional team with an average of over 10 year of expertise in the distribution of electronic components. Based in Hongkong, we have already established firm and mutual-benefit business relationships with customers from,Europe,America and south Asia,supplying obsolete and hard-to-find components to meet their specific needs.

With the principle of “Quality Parts,Customers Priority,Honest Operation,and Considerate Service”,our business mainly focus on the distribution of electronic components. Line cards we deal with include Microchip,ALPS,ROHM,Xilinx,Pulse,ON,Everlight and Freescale. Main products comprise IC,Modules,Potentiometer,IC Socket,Relay,Connector.Our parts cover such applications as commercial,industrial, and automotives areas.

We are looking forward to setting up business relationship with you and hope to provide you with the best service and solution. Let us make a better world for our industry!



Contact us

Tel: +86-755-8981 8866 Fax: +86-755-8427 6832

Email & Skype: info@chipsmall.com Web: www.chipsmall.com

Address: A1208, Overseas Decoration Building, #122 Zhenhua RD., Futian, Shenzhen, China

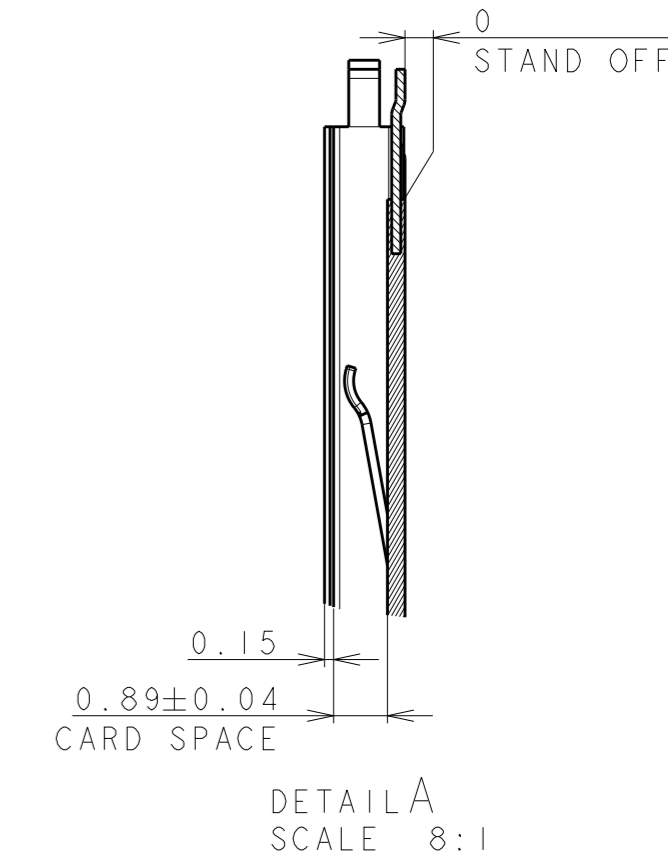
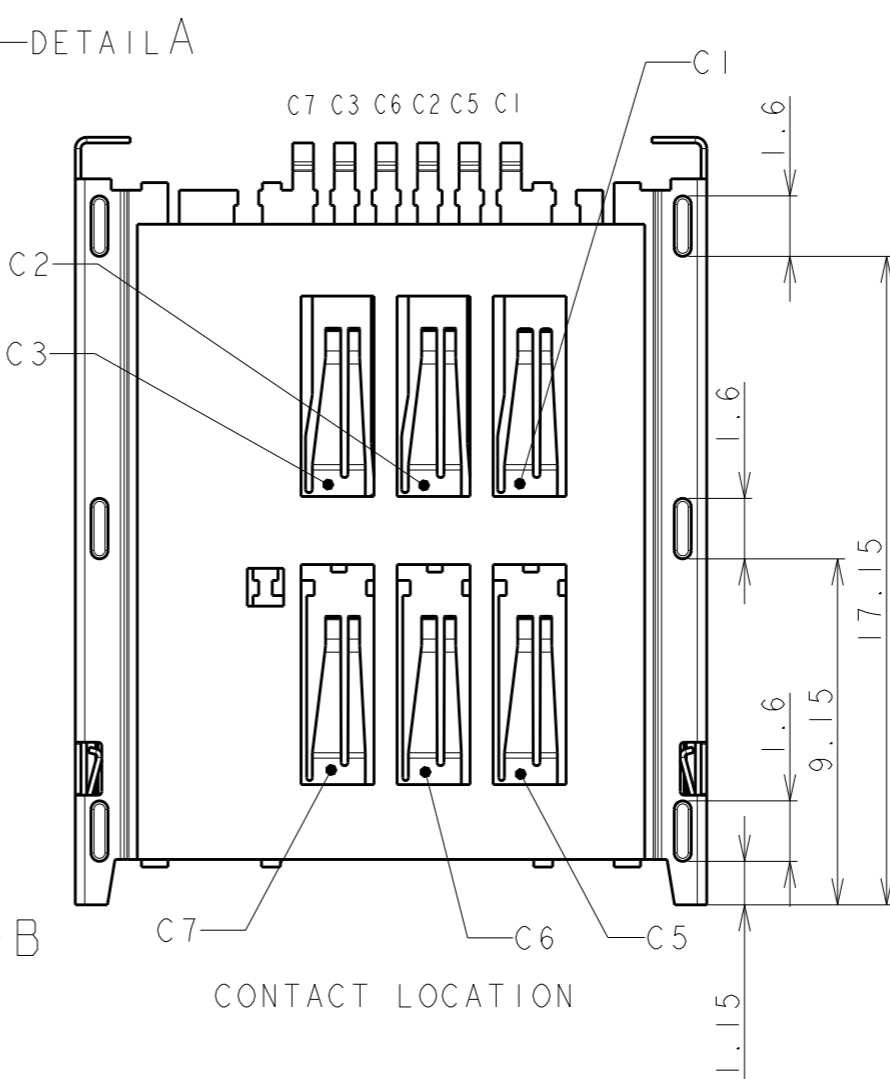
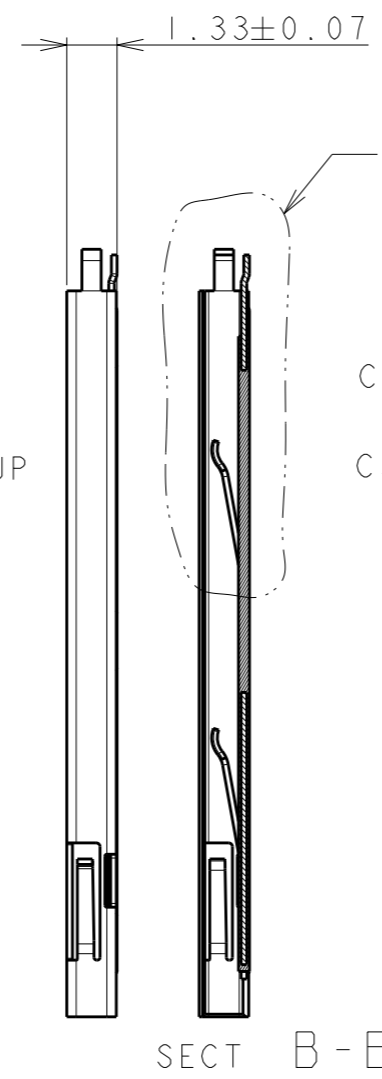
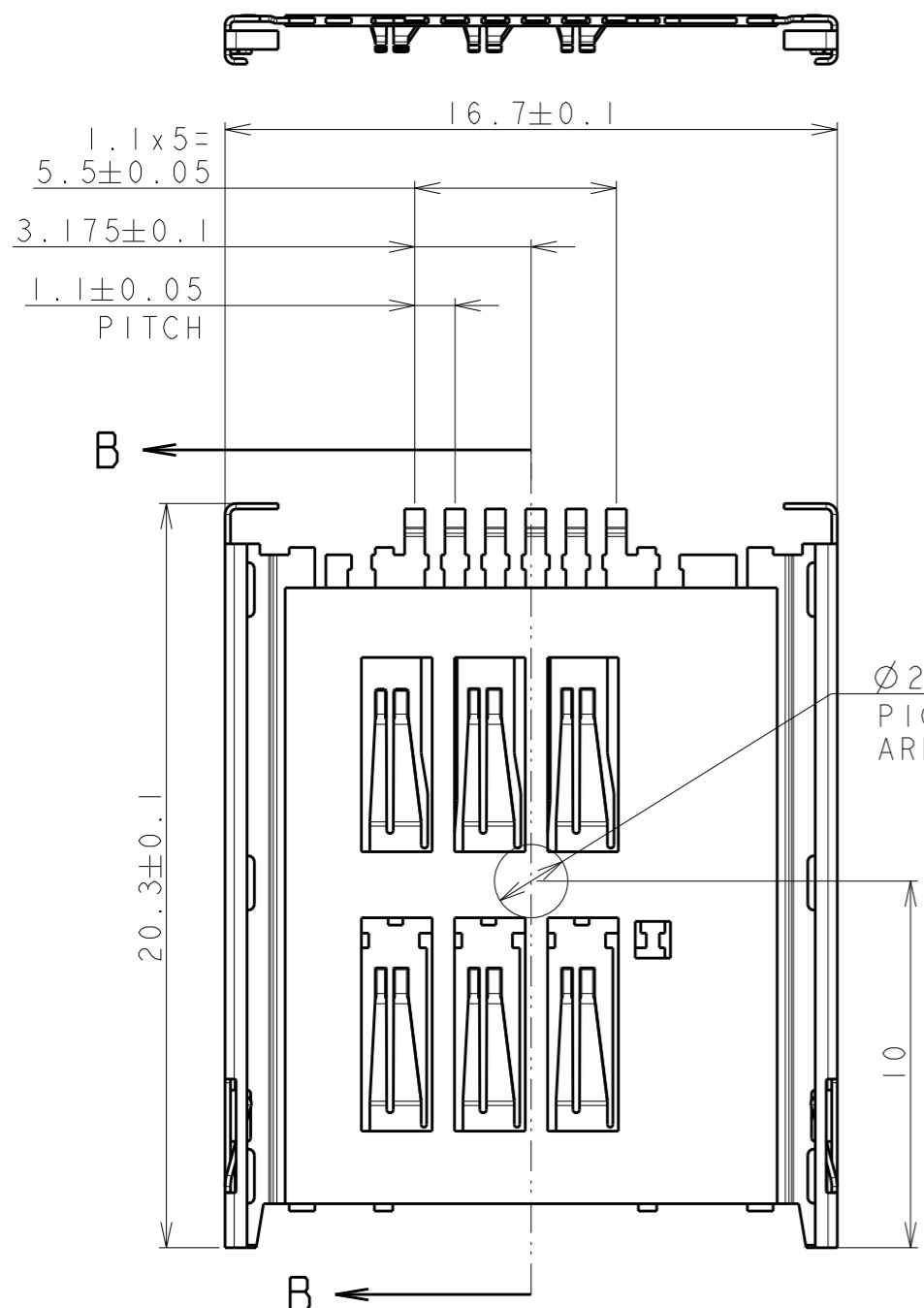


本図面に記載された内容はタイコ エレクトロニクス アンプ(株)の所有する情報を開示してあります。無断で複写・配布する事を禁じます。特許出願中

REVISIONS

P	LTR	DESCRIPTION	DATE	DWN	APVD
	B	REVISED	14OCT2015	M.T	K.K

AS SHOWN : - 1




△ MATERIAL
 ELEMENT : COPPER ALLOY
 TRAY, GUIDE : STAINLESS
 HOUSING : HIGH TEMPERATURE THERMO PLASTIC
 UL94V-0 BLACK

△ FINISH
 ELEMENT : CONTACT POINT; 0.4umMIN. Au
 SOLDERING TINE SURFACE Au FLASH PLATE,
 ALL OVER NICKEL PLATE 0.13umMIN.
 ADD SEALING

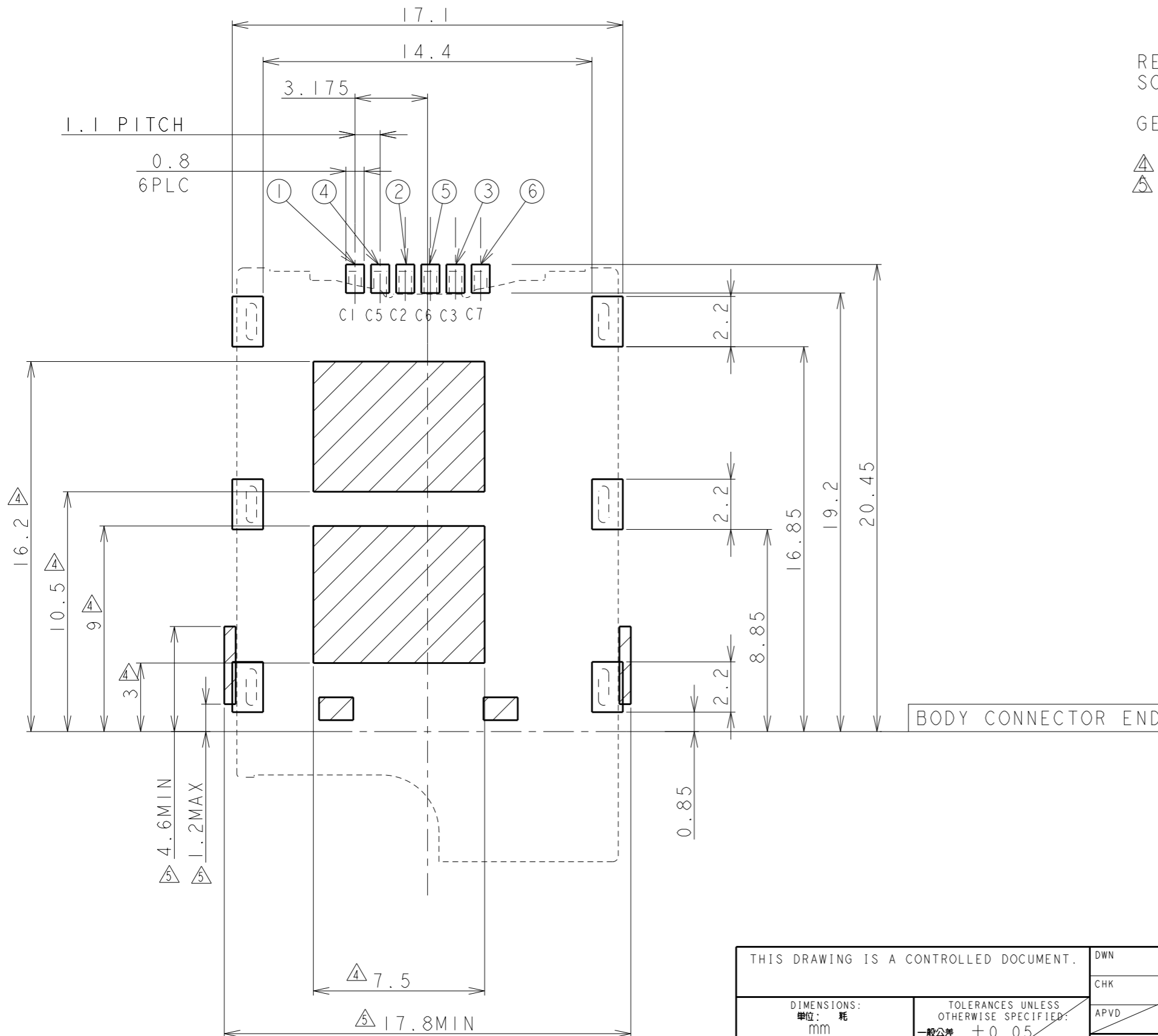
3 COPLANARITY; 0.08MAX.

CAUTION; THERE IS A POSSIBILITY THAT NORMAL FORCE CHANGES ACCORDING TO THE PCB MATERIAL AND THICKNESS, ETC. PLEASE HANDLE IT WITH CARE.
 当コネクタを実装する基板材質・厚さ等によって接圧変動する可能性がありますので、取り扱いに充分な注意をお願い致します。

THIS DRAWING IS A CONTROLLED DOCUMENT.		DWN 17JUN2010 C.OHASHI		 TE Connectivity	
DIMENSIONS: 単位: ㎜		CHK 17JUN2010 Y.NAKAZAWA			
TOLERANCES UNLESS OTHERWISE SPECIFIED: 一般公差 ±0.15		APVD 17JUN2010 Y.NAKAZAWA		NAME 名称	
0 PLC ±		PRODUCT SPEC		TS14-RVS	
1 PLC ±		製品規格		DOUBLE CONTACT	
2 PLC ±		108-78668		BODY ASSY	
3 PLC ±		APPLICATION SPEC		SIZE	
4 PLC ±		取付適用規格		CAGE CODE	
ANGLES ±3°		WEIGHT		DRAWING NO	
MATERIAL 材料		0.37g		番号	
SEE NOTE △		Customer Drawing		A300779	
FINISH 仕上		SCALE		RESTRICTED TO	
SEE NOTE △		5:1		REV B	
		SHEET		REV	
		1 OF 4			

REVISIONS

P	LTR	DESCRIPTION	DATE	DWN	APVD



REFERENCE PCB LAYOUT
 SCALE 5:1

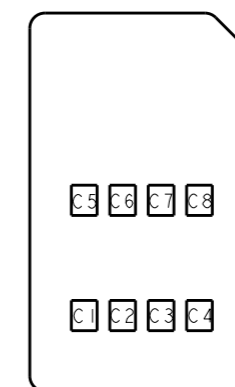
GENERAL TOLERANCE; ±0.05

△ HATCHING AREA; FORBIDDEN AREA OF PATTERN
 △ NO PARTS LOCATED IN THIS AREA

CONNECTOR PIN ASSIGNMENT

NO.	PIN NAME	DESCRIPTION
①	C1	Vcc OF SIM
②	C2	RST OF SIM
③	C3	CLK OF SIM
④	C5	GND OF SIM
⑤	C6	Vpp OF SIM
⑥	C7	I/O OF SIM

SIM CARD PIN ASSIGNMENT



PIN NO.	NAME
C1	Vcc
C2	RST
C3	CLK
C4	RESERVED
C5	GND
C6	Vpp
C7	I/O
C8	RESERVED

SCALE 2:1

SIM CARD PAD LAYOUT

本図面に記載された内容はタイコ エレクトロニクス アンプ(株)の所有する情報を開示しております。
 無断で複写・配布する事を禁じます。 特許出願中

THIS DRAWING IS A CONTROLLED DOCUMENT.		DWN	TE Connectivity	
DIMENSIONS: 単位: mm		CHK		
TOLERANCES UNLESS OTHERWISE SPECIFIED: 一般公差 ±0.05		APVD	NAME 名称	
0 PLC ±		PRODUCT SPEC 製品規格	TS14-RVS	
1 PLC ±		APPLICATION SPEC 取付適用規格	DOUBLE CONTACT	
2 PLC ±		WEIGHT	BODY ASSY	
3 PLC ±		Customer Drawing	SIZE A3	RESTRICTED TO
4 PLC ±		SCALE 尺度 5:1	CAGE CODE 00779	DRAWING NO. 2134034
ANGLES ±		SHEET 2 OF 4	REV B	
FINISH 仕上				

THIS DRAWING IS UNPUBLISHED.

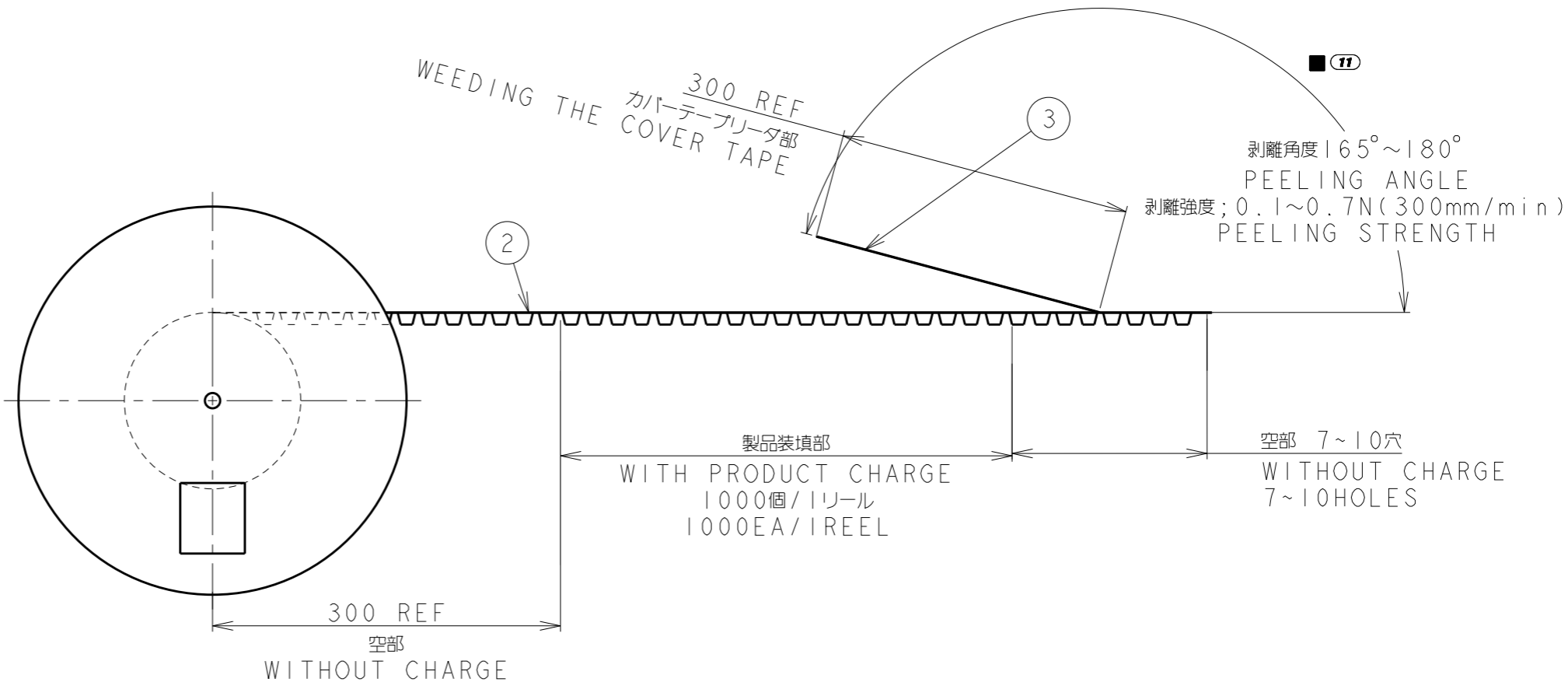
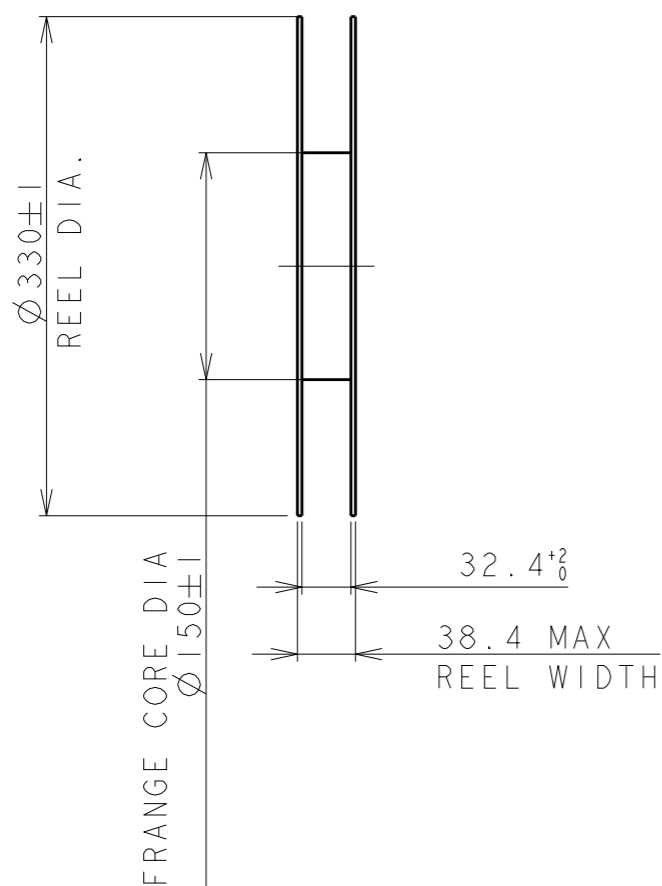
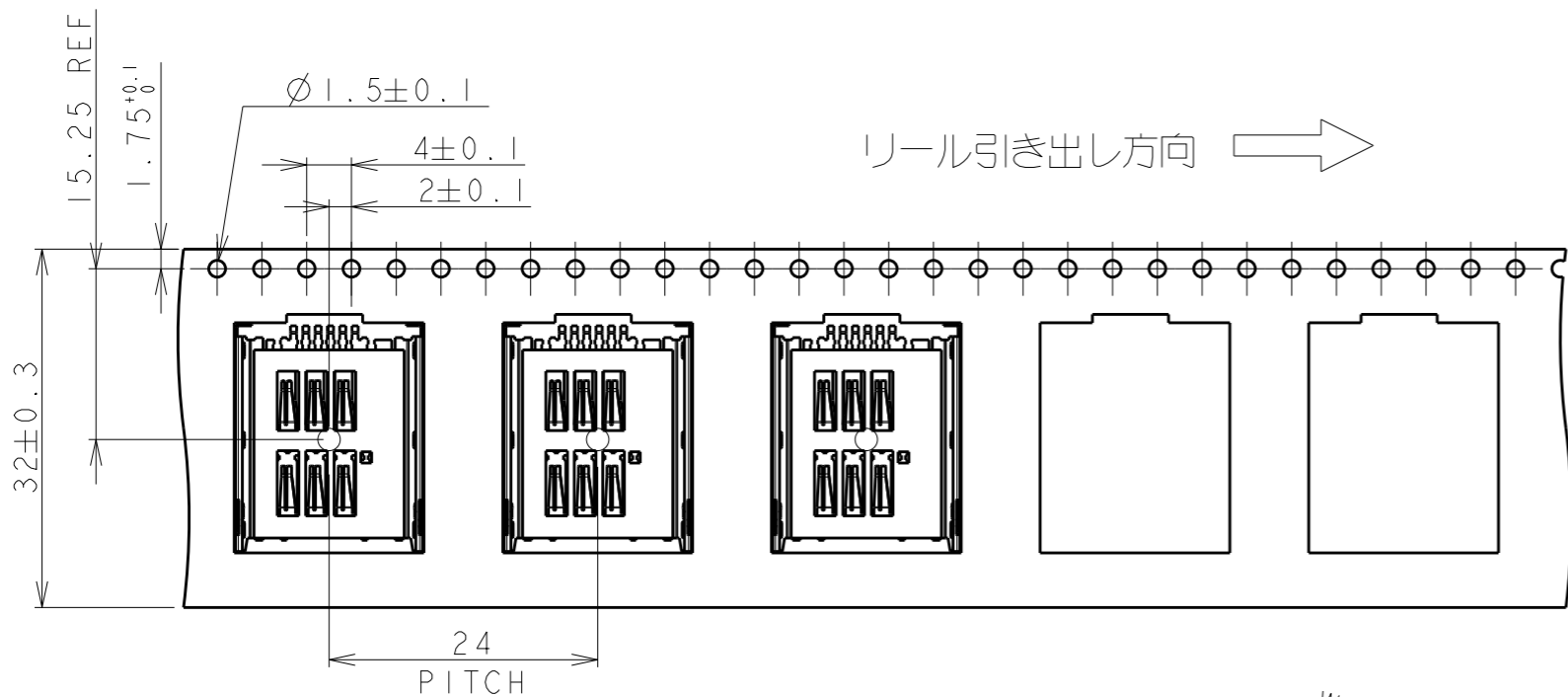
RELEASED FOR PUBLICATION

20

© COPYRIGHT 20 BY TYCO ELECTRONICS CORPORATION. ALL RIGHTS RESERVED.

REVISIONS

P	LTR	DESCRIPTION	DATE	DWN	APVD



AS SHOWN : - 1

THIS DRAWING IS A CONTROLLED DOCUMENT.

DIMENSIONS: $\square\square:\square$ mm	TOLERANCES UNLESS OTHERWISE SPECIFIED: $\square\square\square \pm 0.15$
	0 PLC \pm
	1 PLC \pm
	2 PLC \pm
	3 PLC \pm
	4 PLC \pm
	ANGLES \pm
MATERIAL $\square\square$	FINISH $\square\square$

DWN
CHK
APVD
PRODUCT SPEC $\square\square\square$
APPLICATION SPEC $\square\square\square\square$
WEIGHT
Customer Drawing



NAME $\square\square$			
TS14-RVS DOUBLE CONTACT BODY ASSY			
SIZE A3	CAGE CODE 00779	DRAWING NO C-2134034	RESTRICTED TO
SCALE $\square\square$	NTS	SHEET 3 OF 4	REV B

THIS DRAWING IS UNPUBLISHED.

RELEASED FOR PUBLICATION

20

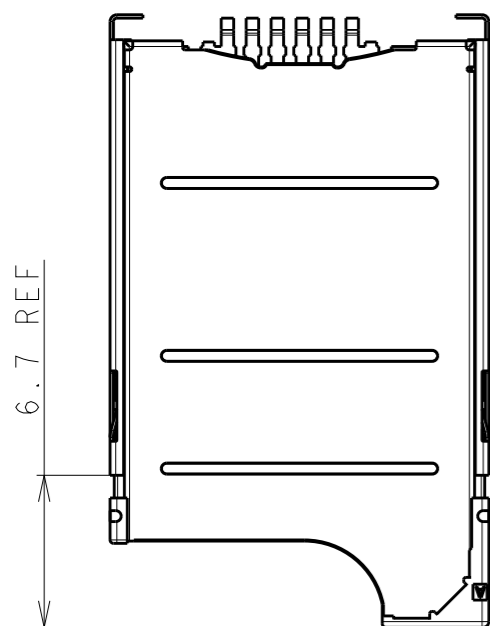
© COPYRIGHT 20 BY TYCO ELECTRONICS CORPORATION. ALL RIGHTS RESERVED.

REVISIONS

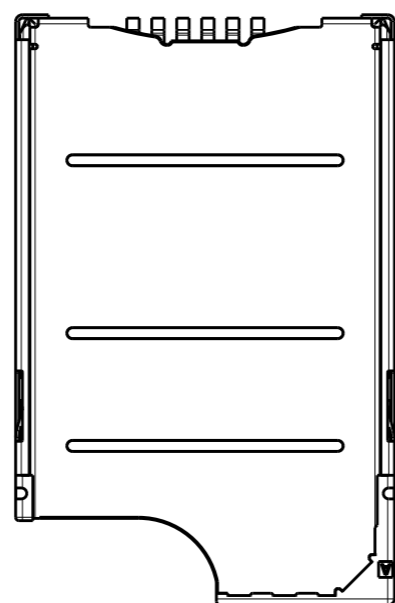
変更

P	LTR	DESCRIPTION	DATE	DWN	APVD

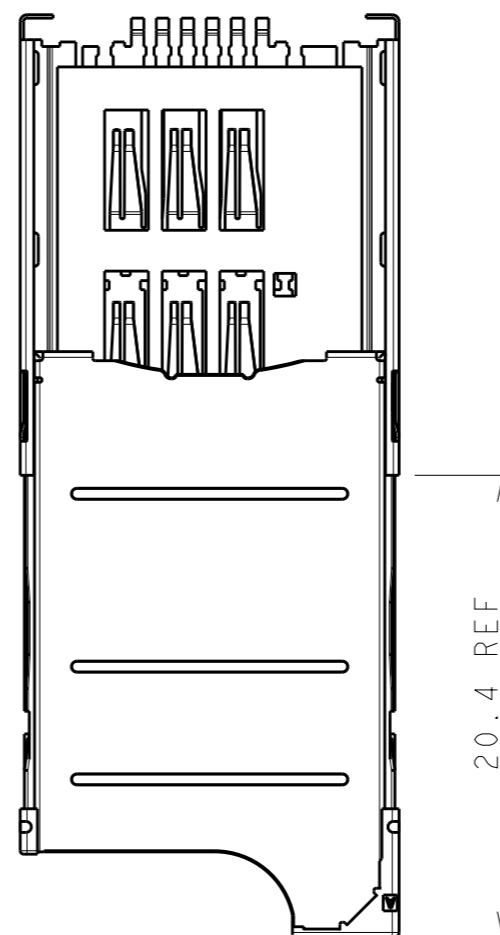
本図面に記載された内容はタイコ エレクトロニクス アンプ(株)の所有する情報を開示しております。
 無断で複写・配布する事を禁じます。 特許出願中



POSITION IN WHICH CONTACT
 DEVIATE FROM SIM PAD
 コンタクトがSIMカードPADを外れる位置

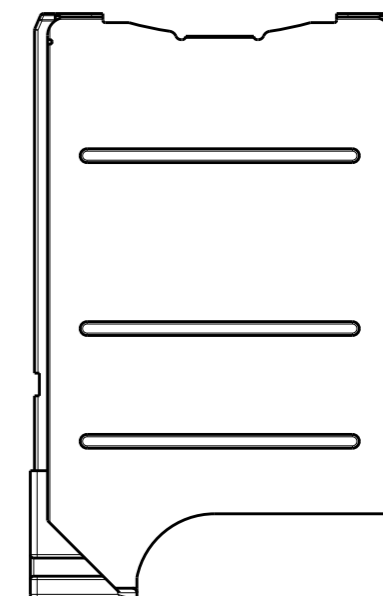


NOMINAL POSITION
 通常使用時



TRAY EJECT POSITION
 TARY引き出し位置

METAL TRAY
 P/N; 2134033-1



PAI CORT AREA
 PAIコート材範囲

THIS DRAWING IS A CONTROLLED DOCUMENT.		DWN	STE TE Connectivity	
DIMENSIONS: 単位: 耗 mm		CHK		
TOLERANCES UNLESS OTHERWISE SPECIFIED: 一般公差 ±0.15		APVD	NAME 名称	
0 PLC ±		PRODUCT SPEC 製品規格	TS14-RVS DOUBLE CONTACT BODY ASSY	
1 PLC ±		APPLICATION SPEC 取付適用規格	SIZE	RESTRICTED TO
2 PLC ±		WEIGHT	A300779	C=2134034
3 PLC ±		Customer Drawing	CAGE CODE	DRAWING NO
4 PLC ±		SCALE 尺度 3:1	番号	REV B
ANGLES ±		SHEET 4 OF 4	番号	REV B
FINISH 仕上		REV B		