



Chipsmall Limited consists of a professional team with an average of over 10 year of expertise in the distribution of electronic components. Based in Hongkong, we have already established firm and mutual-benefit business relationships with customers from,Europe,America and south Asia,supplying obsolete and hard-to-find components to meet their specific needs.

With the principle of “Quality Parts,Customers Priority,Honest Operation,and Considerate Service”,our business mainly focus on the distribution of electronic components. Line cards we deal with include Microchip,ALPS,ROHM,Xilinx,Pulse,ON,Everlight and Freescale. Main products comprise IC,Modules,Potentiometer,IC Socket,Relay,Connector.Our parts cover such applications as commercial,industrial, and automotives areas.

We are looking forward to setting up business relationship with you and hope to provide you with the best service and solution. Let us make a better world for our industry!



Contact us

Tel: +86-755-8981 8866 Fax: +86-755-8427 6832

Email & Skype: info@chipsmall.com Web: www.chipsmall.com

Address: A1208, Overseas Decoration Building, #122 Zhenhua RD., Futian, Shenzhen, China



4

3

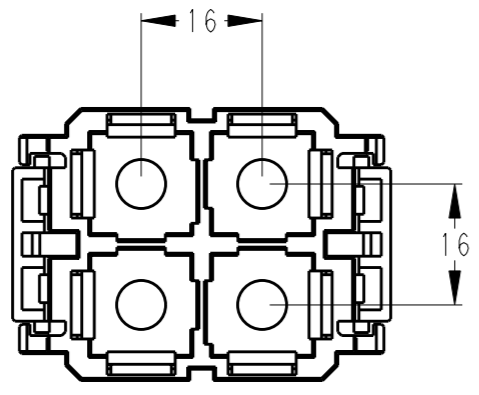
2

1

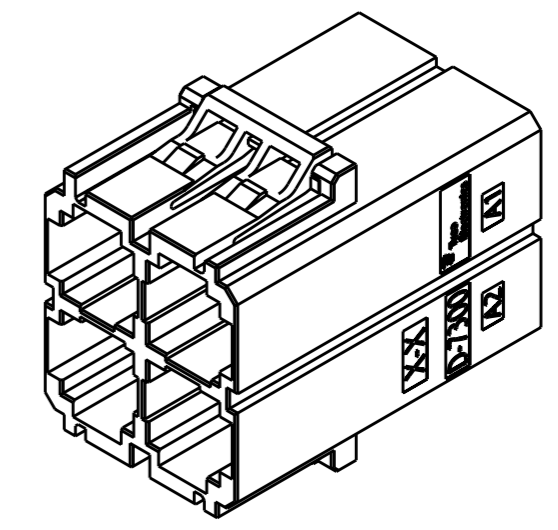
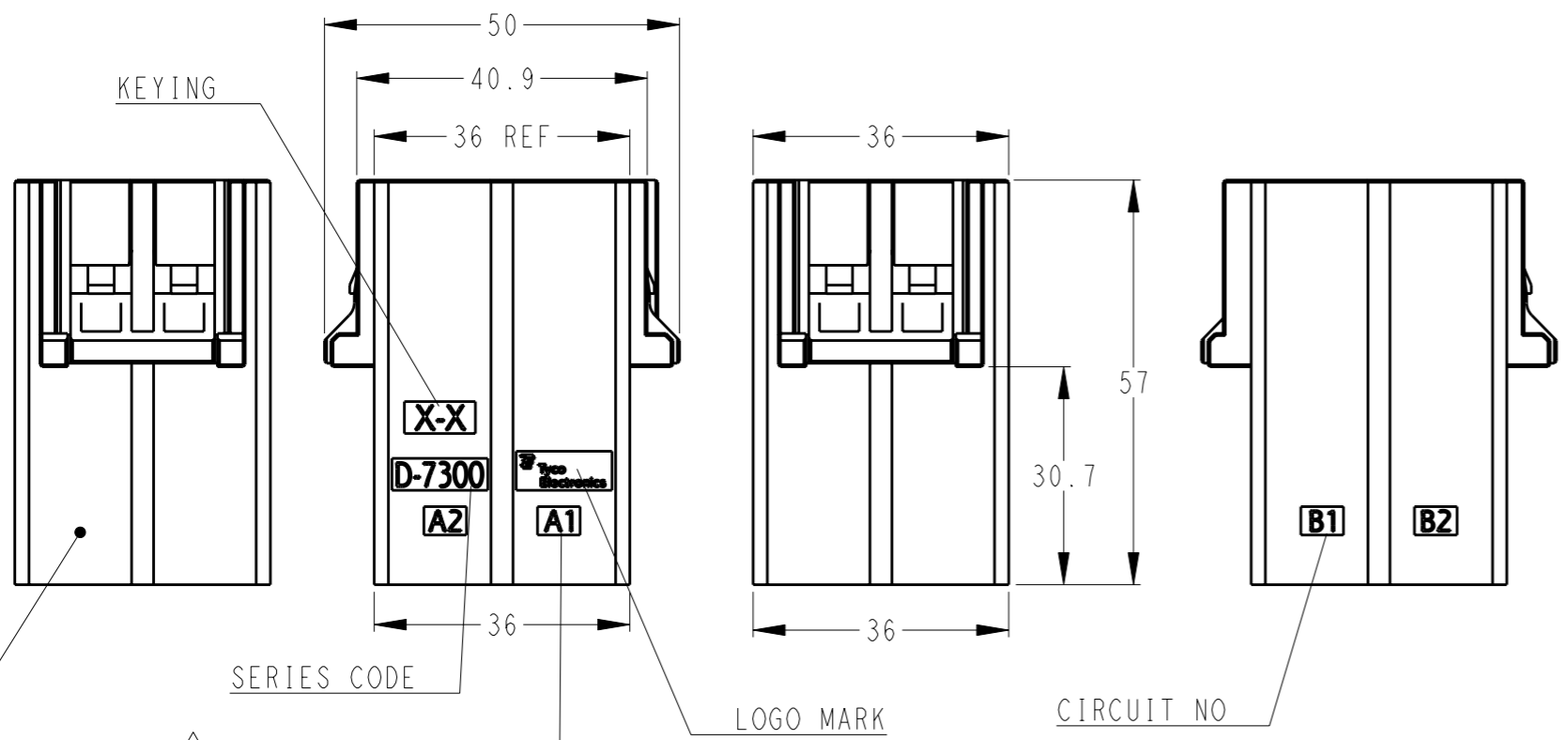
THIS DRAWING IS UNPUBLISHED. RELEASED FOR PUBLICATION 20
 © COPYRIGHT 20 BY TYCO ELECTRONICS CORPORATION. ALL RIGHTS RESERVED.

LOC	DIST	REVISIONS					
		P	LTR	DESCRIPTION	DATE	DWN	APVD
J	-		B	REVISED PER ECR-10-025568	14DEC2010	M.M	N.Y

AS SHOWN : 2134061-1

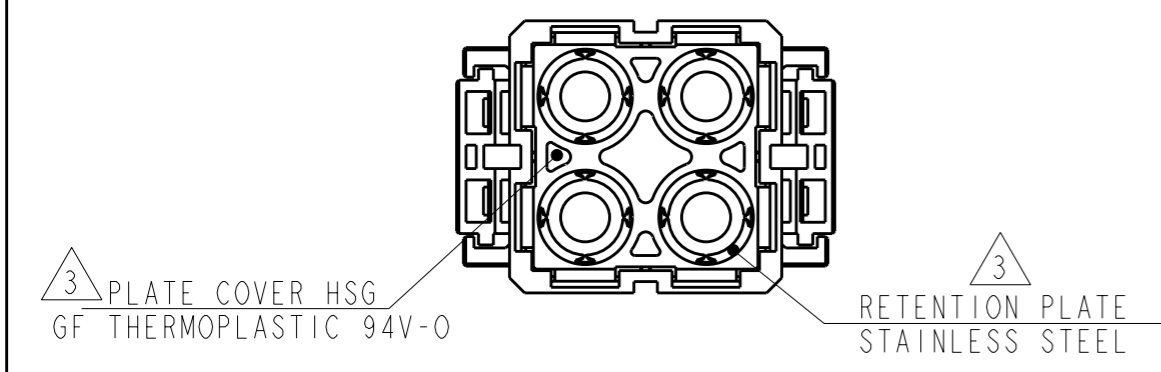


1. THE SHAPE, SIZE AND POSITION OF THE CHARACTER SHOW THE OUTLINE. THEY DON'T SHOW DETAILS.
 2. CONTACT OUR SALES ABOUT ANOTHER KEYING PRODUCT.
- △ MATERIAL.



APPLIED PIN CONTACTS
 -1871131-

△ BODY HSG
 GF THERMOPLASTIC 94V-0



THIS DRAWING IS A CONTROLLED DOCUMENT FOR TYCO ELECTRONICS CORPORATION. IT IS SUBJECT TO CHANGE AND THE CONTROLLING ENGINEERING ORGANIZATION SHOULD BE CONTACTED FOR THE LATEST REVISION.		DWN	M. MAEBASHI	31 JUL 2010	Tyco Electronics Corporation Kawasaki, Japan								
DIMENSIONS: mm		CHK	N. YAMASAKI	31 JUL 2010									
TOLERANCES UNLESS OTHERWISE SPECIFIED: ±1.0, ±5°		APVD	N. YAMASAKI	31 JUL 2010									
0 PLC ± 1 PLC ± 2 PLC ± 3 PLC ± 4 PLC ± ANGLES ±		PRODUCT SPEC	108-78470										
MATERIAL △		FINISH	NONE		NAME	DYNAMIC D7300 16.0mm PITCH PIN HOUSING ASSEMBLY REVERSE 4 POS							
△		WEIGHT		-		SIZE	A3	CAGE CODE	00779	DRAWING NO	C-2134061	RESTRICTED TO	-
CUSTOMER DRAWING		SCALE		1:1		SHEET		1 OF 1		REV		B	