



Chipsmall Limited consists of a professional team with an average of over 10 year of expertise in the distribution of electronic components. Based in Hongkong, we have already established firm and mutual-benefit business relationships with customers from,Europe,America and south Asia,supplying obsolete and hard-to-find components to meet their specific needs.

With the principle of "Quality Parts,Customers Priority,Honest Operation,and Considerate Service",our business mainly focus on the distribution of electronic components. Line cards we deal with include Microchip,ALPS,ROHM,Xilinx,Pulse,ON,Everlight and Freescale. Main products comprise IC,Modules,Potentiometer,IC Socket,Relay,Connector.Our parts cover such applications as commercial,industrial, and automotives areas.

We are looking forward to setting up business relationship with you and hope to provide you with the best service and solution. Let us make a better world for our industry!



## Contact us

Tel: +86-755-8981 8866 Fax: +86-755-8427 6832

Email & Skype: info@chipsmall.com Web: www.chipsmall.com

Address: A1208, Overseas Decoration Building, #122 Zhenhua RD., Futian, Shenzhen, China



4

3

2

1

THIS DRAWING IS UNPUBLISHED.

RELEASED FOR PUBLICATION

20

LOC J

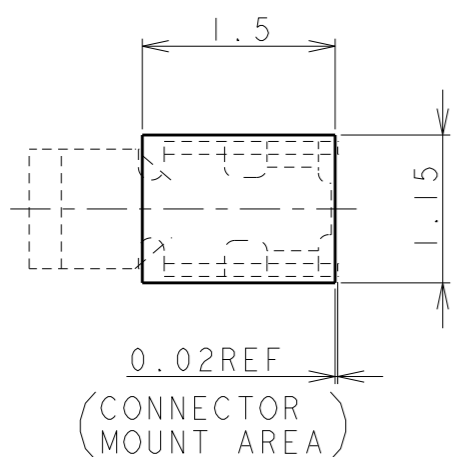
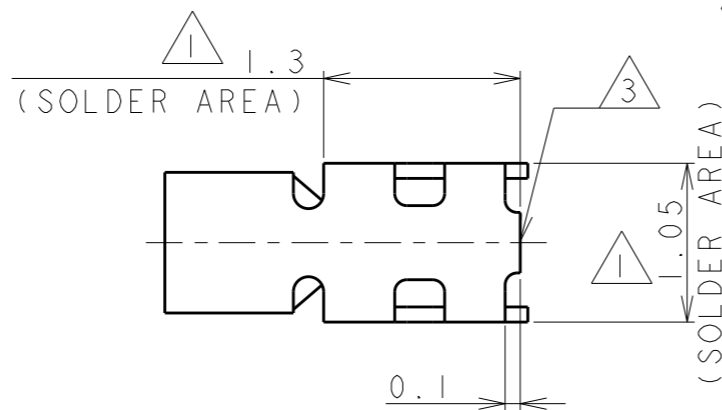
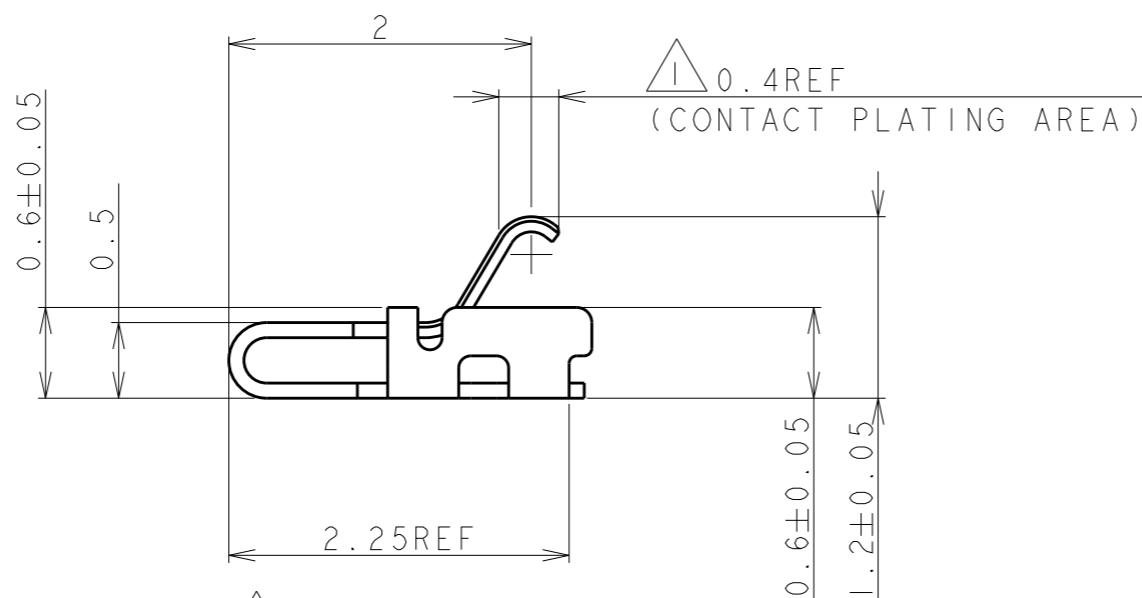
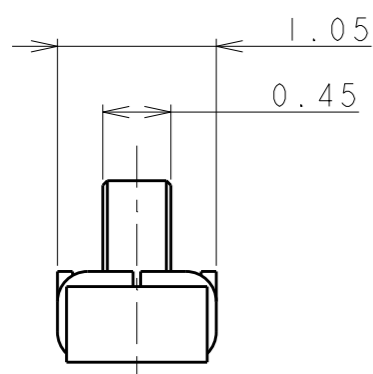
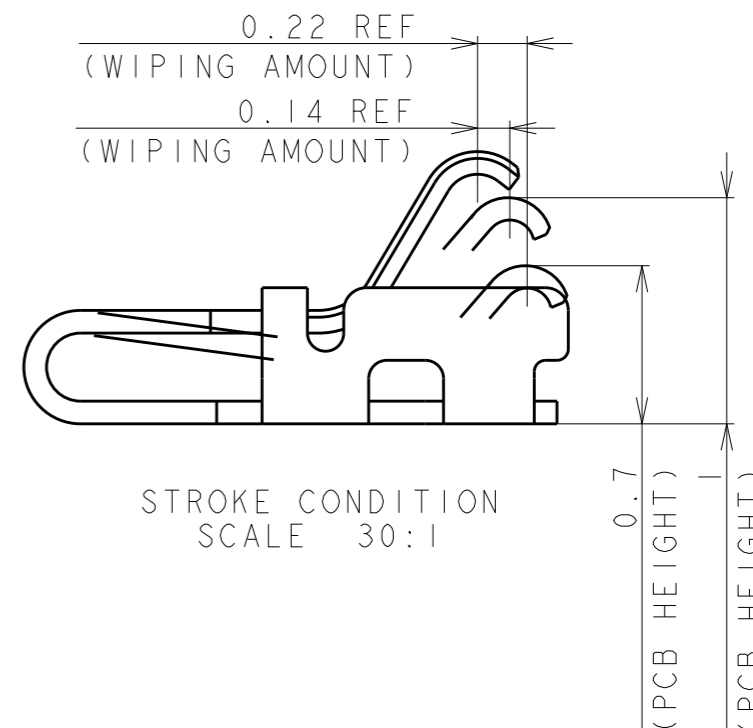
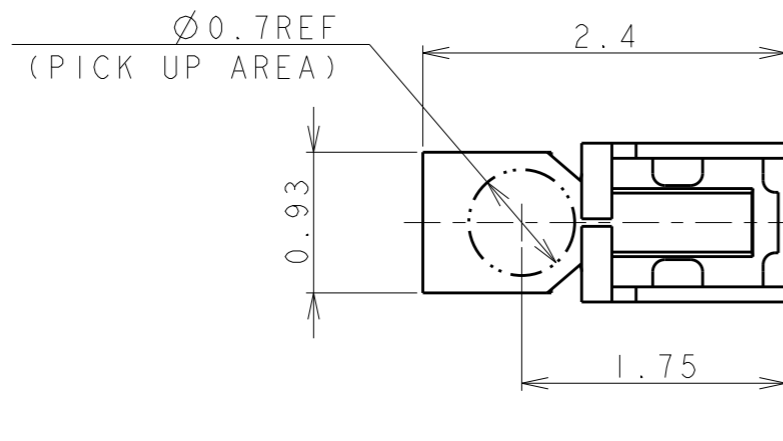
DIST

REVISIONS

© COPYRIGHT 20 BY - ALL RIGHTS RESERVED.

P	LTR	DESCRIPTION	DATE	DWN	APVD
	A	REVISED	01JUL2010	Y.K	Y.N
	B	REVISED PER ECR-12-020867	24JAN2013	F.L	S.Y
	BI	REVISED PER ECR-13-008919	03JUN2013	R.W	S.Y

AS SHOWN: -1&-3



NOTES:

- △ FINISH (PLATING SPECIFICATION)  
Ni UNDER PLATING : 0.0008mm TO 0.002mm  
Au PLATING (CONTACT PLATING AREA) : 0.00025mm TO 0.0005mm  
Au PLATING (SOLDER AREA) : 0.00005mm TO 0.0005mm
- △ MATERIAL : COPPER ALLOY, THK.=0.1mm
- △ CUTTING BURR : 0.05mm MAX.
- 4 DISUSED PACKAGEING MATERIAL : DRYPACK AND BAKING PROCESS.
- △ POST-PLATING SPECIFICATION:  
Ni UNDER PLATING:0.8um TO 2.0um  
Au PLATING(CONTACT PLATING):0.3um MIN  
Au PLATING(SOLDER PLATING):0.01um TO 0.2um
- 6 NORMAL FORCE AT 1.0mm HEIGHT IS 0.3N MIN  
NORMAL FORCE AT 0.7mm HEIGHT IS 1.1N MAX

△	△	2134078-3
△	△	2134078-1
FINISH	MATERIAL	PART NUMBER

THIS DRAWING IS A CONTROLLED DOCUMENT.

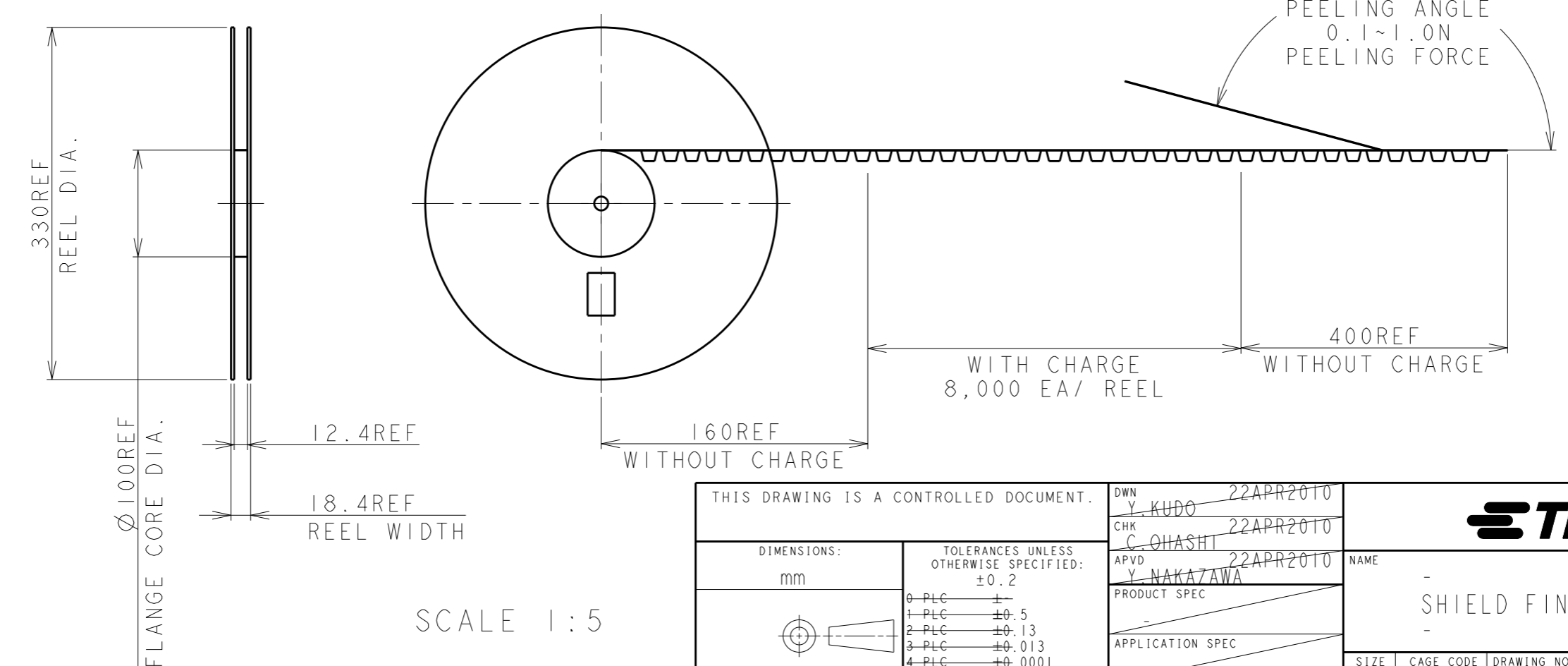
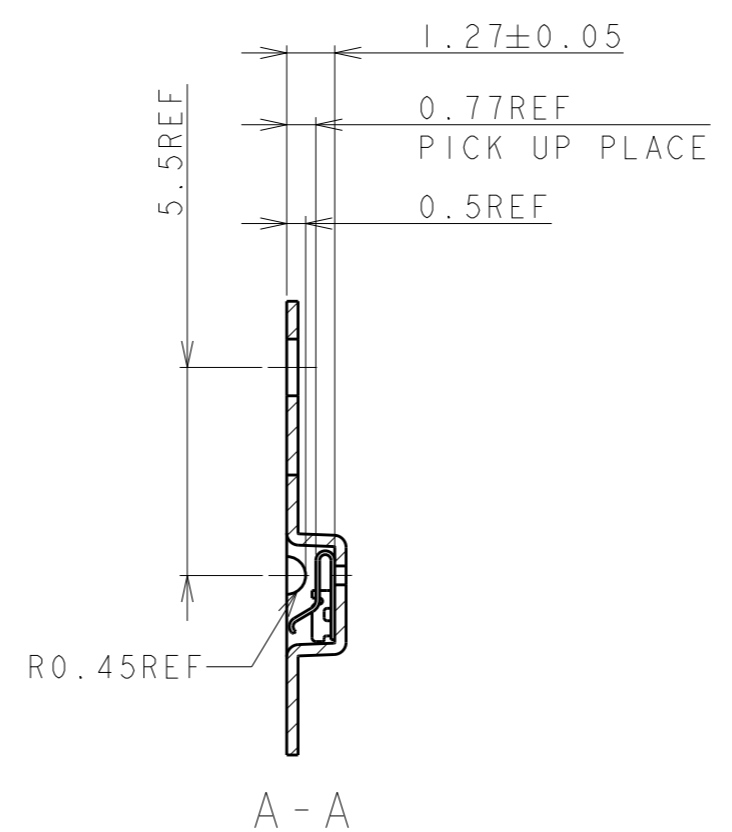
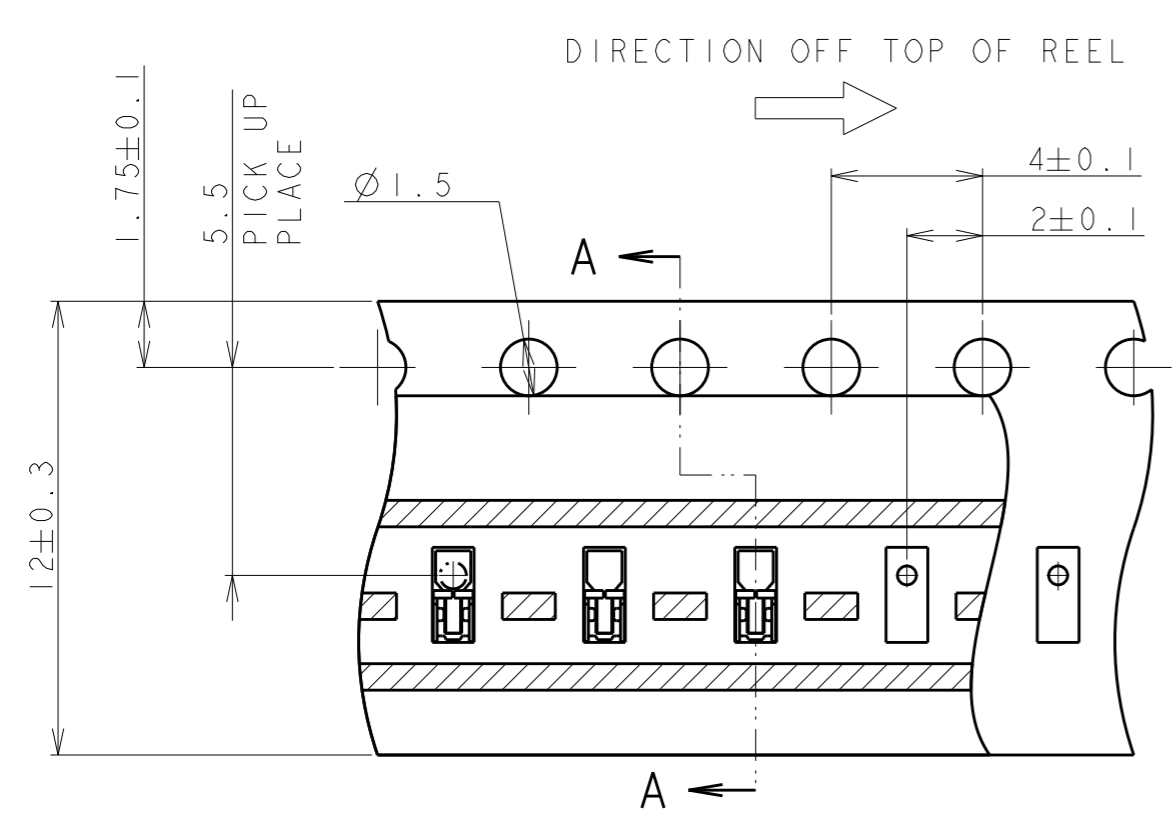
DIMENSIONS:	TOLERANCES UNLESS OTHERWISE SPECIFIED:
mm	±0.15
0 PLC	±
1 PLC	±0.5
2 PLC	±0.13
3 PLC	±0.013
4 PLC	±0.0001
ANGLES	±3°

DWN	Y.KUDO	22APR2010
CHK	C.OHASHI	22APR2010
APVD	Y.NAKAZAWA	22APR2010
PRODUCT SPEC	-	
APPLICATION SPEC	-	
WEIGHT	4.4 mg	


		TE Connectivity	
		NAME	
-		SHIELD FINGER 1210	
SIZE	CAGE CODE	DRAWING NO	RESTRICTED TO
A3	00779	C=2134078	-
Customer Drawing		SCALE 20:1	SHEET 1 OF 2 REV BI

THIS DRAWING IS UNPUBLISHED. RELEASED FOR PUBLICATION 20  
 © COPYRIGHT 20 BY - ALL RIGHTS RESERVED.

LOC	DIST	REVISIONS			
P	LTR	DESCRIPTION	DATE	DWN	APVD
		SEE SHEET 1	-	-	-



SCALE 1:5

THIS DRAWING IS A CONTROLLED DOCUMENT.		DWN	Y. KUDO	22APR2010	 TE Connectivity
DIMENSIONS: mm		CHK	C. OHASHI	22APR2010	
TOLERANCES UNLESS OTHERWISE SPECIFIED: $\pm 0.2$		APVD	Y. NAKAZAWA	22APR2010	
0 PLC $\pm$ 1 PLC $\pm 0.5$ 2 PLC $\pm 0.13$ 3 PLC $\pm 0.013$ 4 PLC $\pm 0.0001$ ANGLES $\pm 3^\circ$		PRODUCT SPEC	NAME		
MATERIAL		APPLICATION SPEC		SHIELD FINGER 1210	
FINISH		WEIGHT	4.4 mg		RESTRICTED TO
Customer Drawing		SIZE	A300779	DRAWING NO	C=2134078
		SCALE	20:1	SHEET	2 OF 2
				REV	B1