



Chipsmall Limited consists of a professional team with an average of over 10 year of expertise in the distribution of electronic components. Based in Hongkong, we have already established firm and mutual-benefit business relationships with customers from,Europe,America and south Asia,supplying obsolete and hard-to-find components to meet their specific needs.

With the principle of “Quality Parts,Customers Priority,Honest Operation,and Considerate Service”,our business mainly focus on the distribution of electronic components. Line cards we deal with include Microchip,ALPS,ROHM,Xilinx,Pulse,ON,Everlight and Freescale. Main products comprise IC,Modules,Potentiometer,IC Socket,Relay,Connector.Our parts cover such applications as commercial,industrial, and automotives areas.

We are looking forward to setting up business relationship with you and hope to provide you with the best service and solution. Let us make a better world for our industry!



Contact us

Tel: +86-755-8981 8866 Fax: +86-755-8427 6832

Email & Skype: info@chipsmall.com Web: www.chipsmall.com

Address: A1208, Overseas Decoration Building, #122 Zhenhua RD., Futian, Shenzhen, China

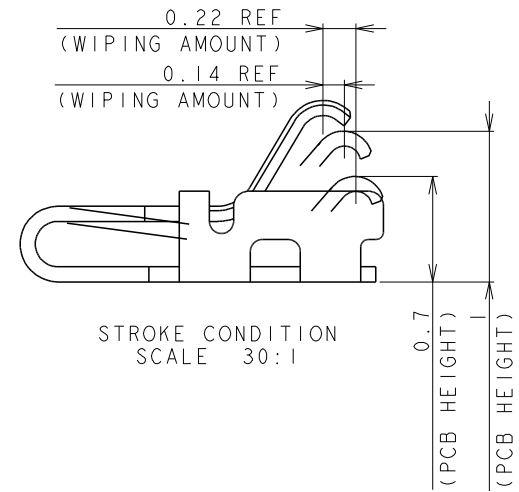
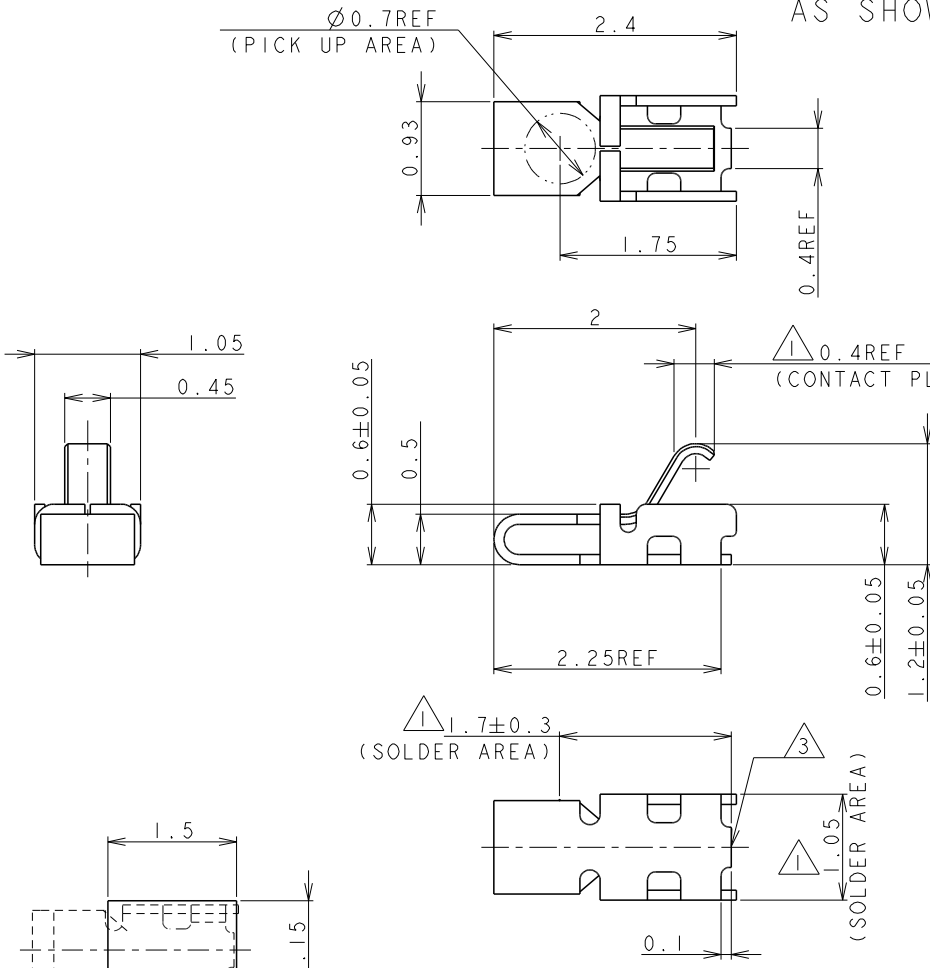


THIS DRAWING IS UNPUBLISHED. RELEASED FOR PUBLICATION 20
 © COPYRIGHT 20 BY - ALL RIGHTS RESERVED.

LOC J DIST

REVISIONS			DATE	DWN	APVD
P	LTR	DESCRIPTION			
	A	REVISED	01 JUL 2010	Y. K	Y. N
	B	REVISED PER ECR-12-020867	24 JAN 2013	F. L	S. Y
	B1	REVISED PER ECR-13-008919	03 JUN 2013	R. W	S. Y
	B2	REVISED PER ECR-16-017382	12 JUN 2017	J. J	W. H

AS SHOWN: - 1 & - 3



NOTES:

- △ FINISH (PLATING SPECIFICATION)
 Ni UNDER PLATING : 0.0008mm TO 0.002mm
 Au PLATING (CONTACT PLATING AREA) : 0.00025mm TO 0.0005mm
 Au PLATING (SOLDER AREA) : 0.00005mm TO 0.0005mm
- △ MATERIAL : COPPER ALLOY, THK.=0.1mm
- △ CUTTING BURR : 0.05mm MAX.
- 4 DISUSED PACKAGING MATERIAL : DRYPACK AND BAKING PROCESS.
- △ POST-PLATING SPECIFICATION:
 Ni UNDER PLATING: 0.8um TO 2.0um
 Au PLATING (CONTACT PLATING): 0.3um MIN
 Au PLATING (SOLDER PLATING): 0.01um TO 0.2um
- 6 NORMAL FORCE AT 1.0mm HEIGHT IS 0.3N MIN
 NORMAL FORCE AT 0.7mm HEIGHT IS 1.1N MAX

△	△	2134078-3
△	△	2134078-1
FINISH	MATERIAL	PART NUMBER

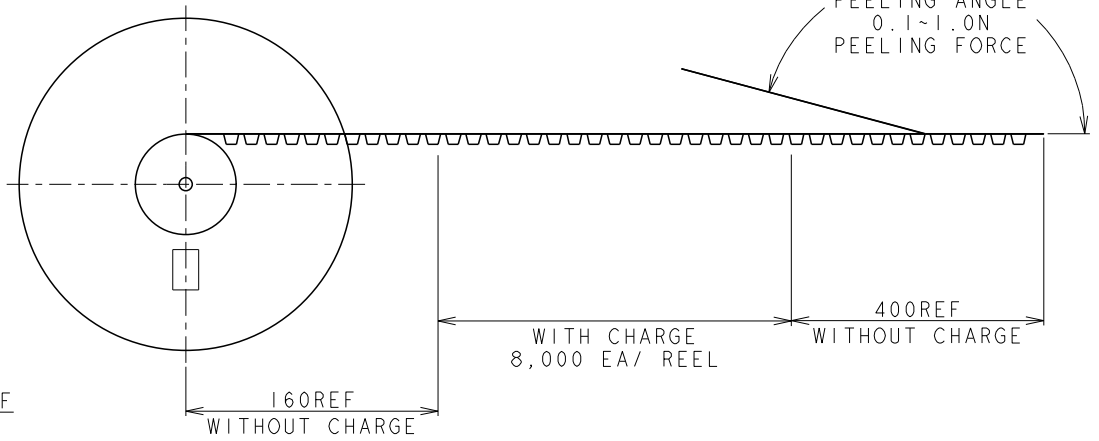
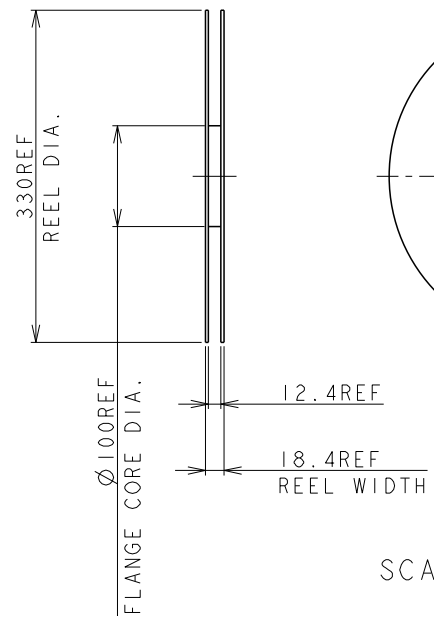
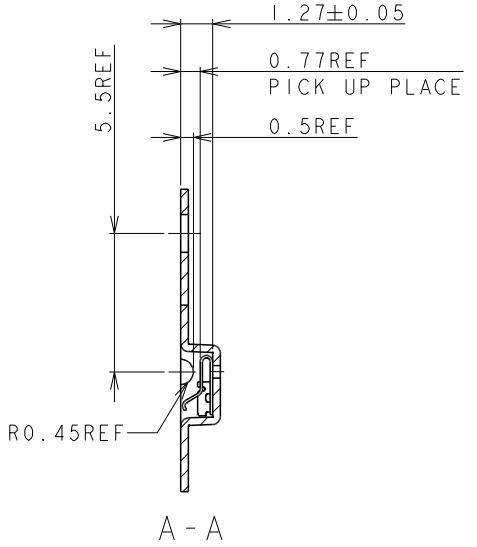
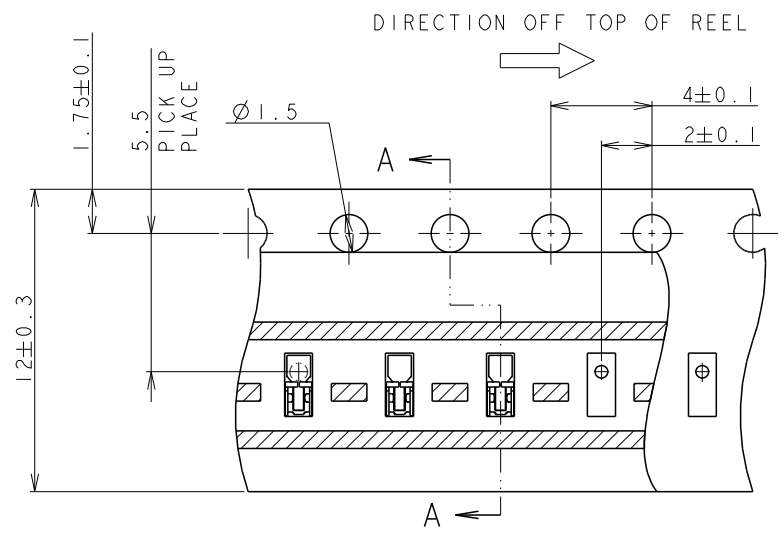
0.02 REF
 (CONNECTOR MOUNT AREA)
 PCB LAYOUT (REFERENCE)

THIS DRAWING IS A CONTROLLED DOCUMENT.

DWN Y. KUDO 22 APR 2010	CHK C. OHASHI 22 APR 2010	APVD Y. NAKAZAWA 22 APR 2010	NAME - SHIELD FINGER 1210 -
DIMENSIONS: mm			PRODUCT SPEC
TOLERANCES UNLESS OTHERWISE SPECIFIED: ± 0.15			APPLICATION SPEC
0-PLC ± 1-PLC ±0.5 2-PLC ±0.13 3-PLC ±0.013 4-PLC ±0.0001 ANGLES ±3°			WEIGHT 4.4 mg
MATERIAL 2			FINISH 1
Customer Drawing		SIZE A3	CAGE CODE 00779
		DRAWING NO C=2134078	RESTRICTED TO -
		SCALE 20:1	SHEET 1 OF 2
			REV B2

THIS DRAWING IS UNPUBLISHED. RELEASED FOR PUBLICATION 20
 © COPYRIGHT 20 BY - ALL RIGHTS RESERVED.

LOC	DIST	REVISIONS					
J		P	LTR	DESCRIPTION	DATE	DWN	APVD
		-	-	SEE SHEET 1	-	-	-



SCALE 1:5

THIS DRAWING IS A CONTROLLED DOCUMENT.

DIMENSIONS: mm	TOLERANCES UNLESS OTHERWISE SPECIFIED: ± 0.2	DWN: Y. KUDO 22APR2010	TE Connectivity SHIELD FINGER 1210
	0-PLC ± 0.2	CHK: C. OHASHI 22APR2010	
	1-PLC ± 0.5	APVD: Y. NAKAZAWA 22APR2010	
	2-PLC ± 0.13	PRODUCT SPEC	
MATERIAL	FINISH	APPLICATION SPEC	NAME
		WEIGHT: 4.4 mg	SIZE: A300779
		Customer Drawing	DRAWING NO: C=2134078
			RESTRICTED TO
		SCALE: 20:1	SHEET 2 OF 2
			REV B2