



Chipsmall Limited consists of a professional team with an average of over 10 year of expertise in the distribution of electronic components. Based in Hongkong, we have already established firm and mutual-benefit business relationships with customers from,Europe,America and south Asia,supplying obsolete and hard-to-find components to meet their specific needs.

With the principle of "Quality Parts,Customers Priority,Honest Operation,and Considerate Service",our business mainly focus on the distribution of electronic components. Line cards we deal with include Microchip,ALPS,ROHM,Xilinx,Pulse,ON,Everlight and Freescale. Main products comprise IC,Modules,Potentiometer,IC Socket,Relay,Connector.Our parts cover such applications as commercial,industrial, and automotives areas.

We are looking forward to setting up business relationship with you and hope to provide you with the best service and solution. Let us make a better world for our industry!



Contact us

Tel: +86-755-8981 8866 Fax: +86-755-8427 6832

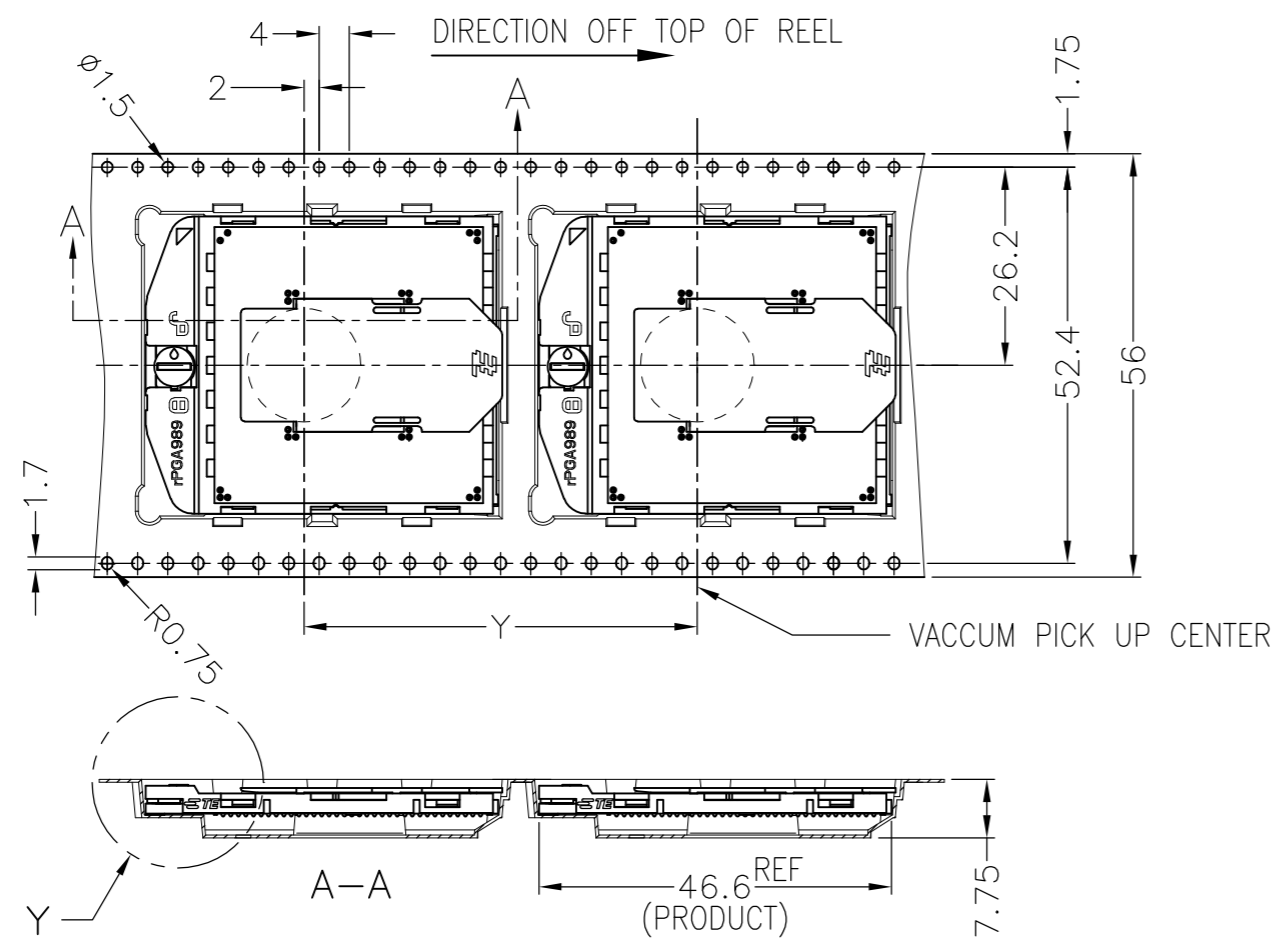
Email & Skype: info@chipsmall.com Web: www.chipsmall.com

Address: A1208, Overseas Decoration Building, #122 Zhenhua RD., Futian, Shenzhen, China

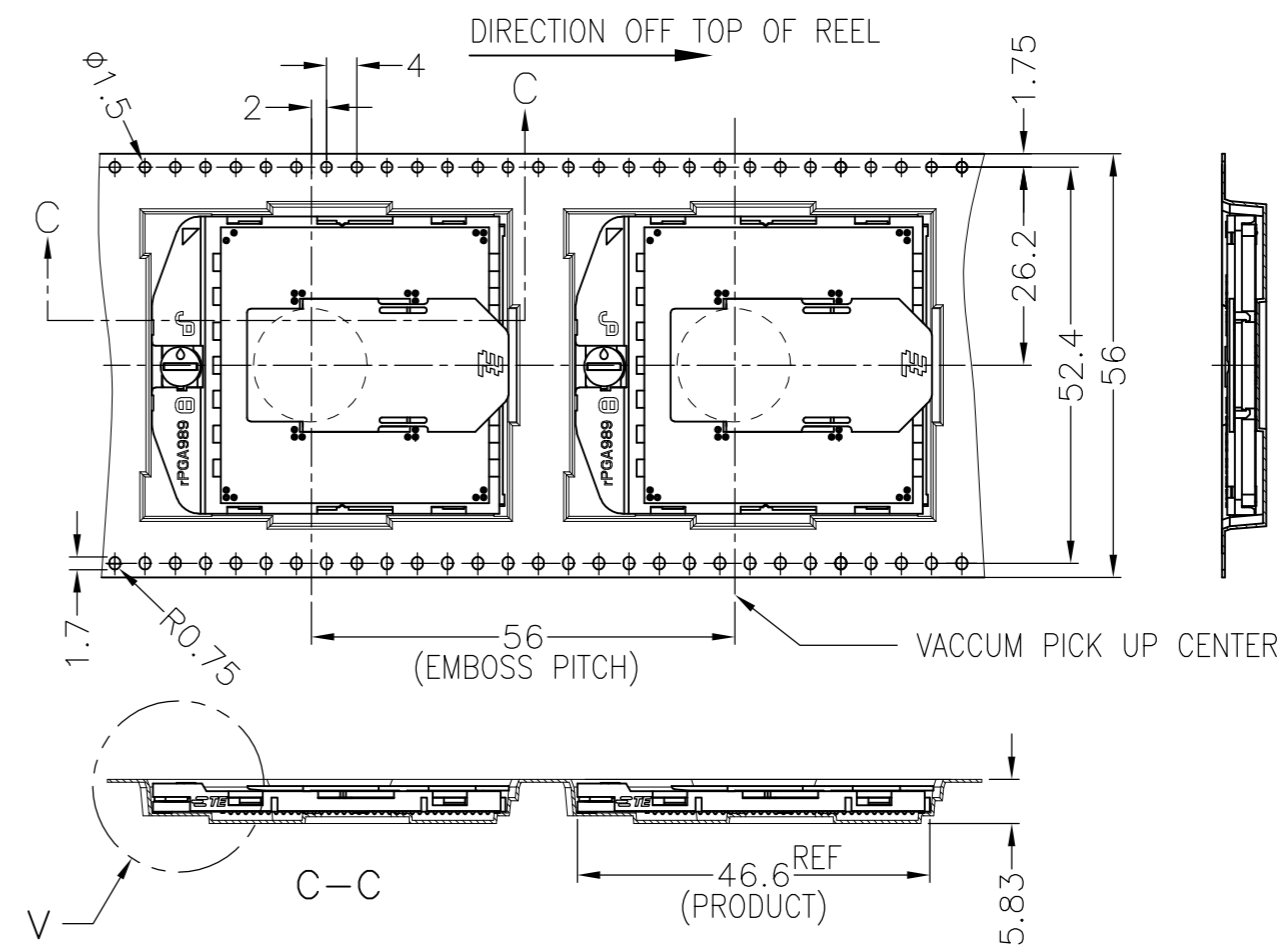
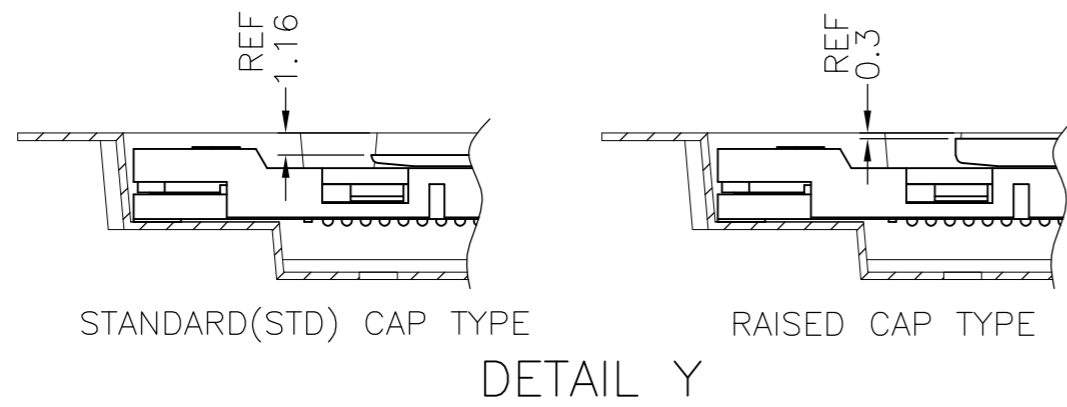


THIS DRAWING IS UNPUBLISHED. RELEASED FOR PUBLICATION
 © COPYRIGHT - By Tyco Electronics Japan G.K. ALL RIGHTS RESERVED.

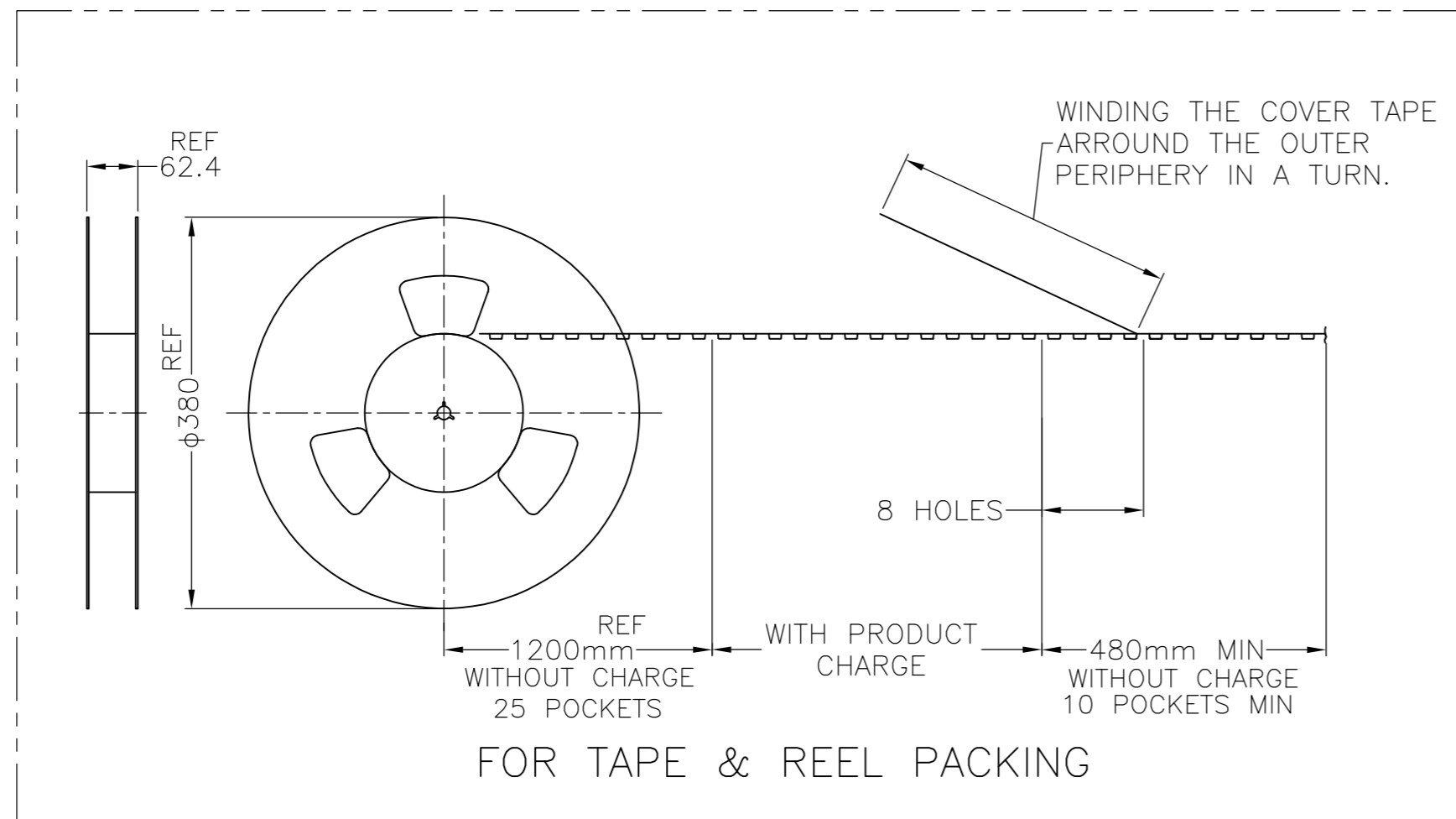
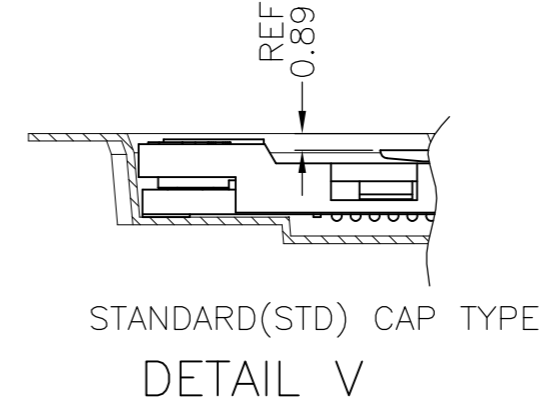
LOC		DIST		REVISIONS			DATE	DWN	APVD
				P	LTR	DESCRIPTION			
				E		RELEASED	01FEB2012	N.H	T.N



FOR EMBOSS PACKING
 160PCS/REEL AND 120PCS/REEL
 (REFERENCE)



FOR EMBOSS PACKING
 180PCS/REEL
 (REFERENCE)



FOR TAPE & REEL PACKING

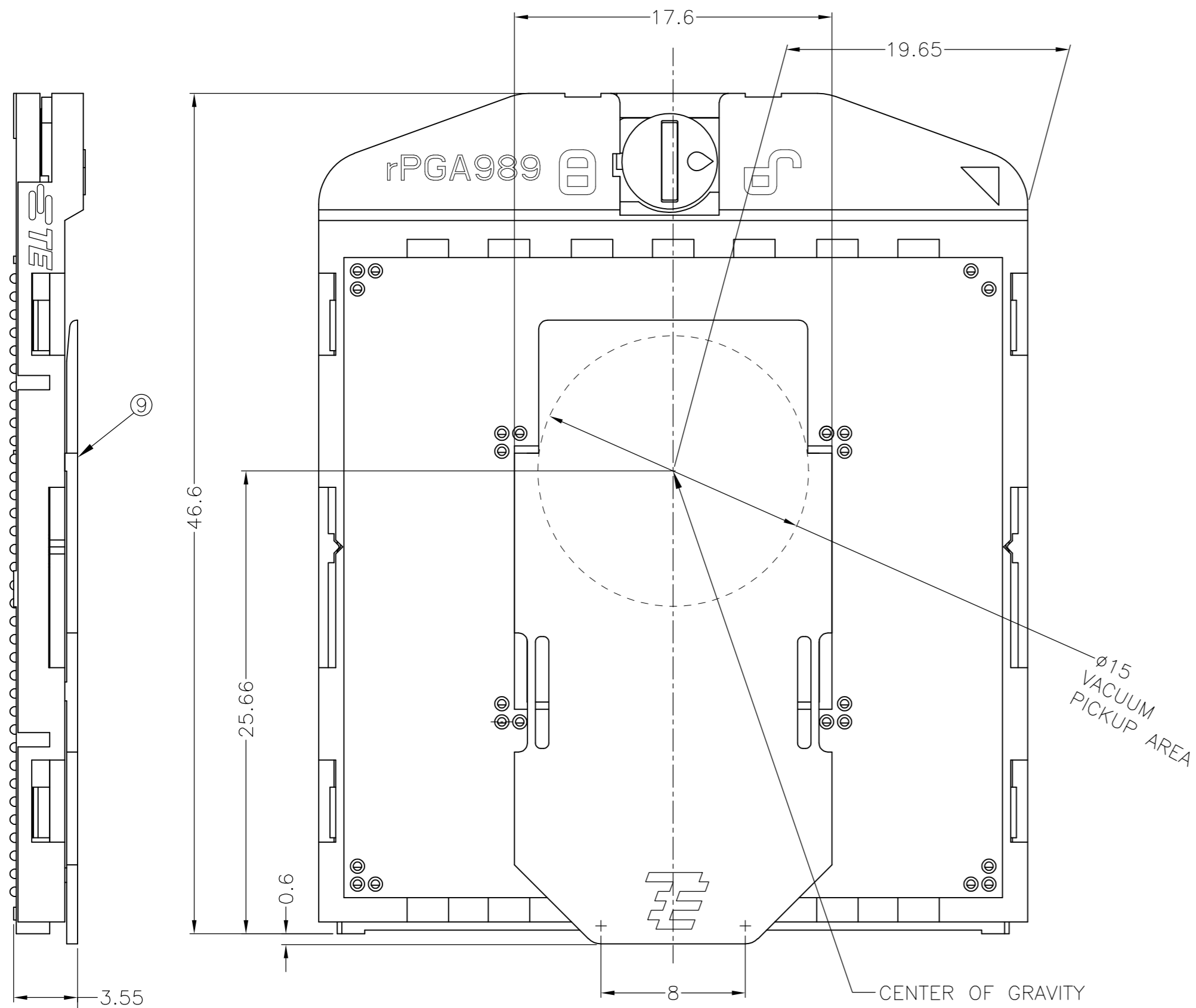
7.8	56	120	TAPE & REEL	RAISED	rPGA989	4-2134146-3
7.7	56	120	TAPE & REEL	STD	rPGA988B	2-2134146-3
7.7	52	160	TAPE & REEL	STD	rPGA988B	2-2134146-2
7.7	56	180	TAPE & REEL	STD	rPGA989	2134146-4
7.7	56	120	TAPE & REEL	STD	rPGA989	2134146-3
7.7	52	160	TAPE & REEL	STD	rPGA989	2134146-2
PRODUCT WEIGHT (g/SOCKET)	DIMENSION Y	SOCKET QTY PER TRAY OR REEL	PACKAGE TYPE	CAP TYPE	SOCKET TYPE	PART NO.

THIS DRAWING IS A CONTROLLED DOCUMENT.

DWN: Y.TAKAHASHI 09JUL'10	 TE Connectivity	NAME: T.NAKASHIMA
CHK: H.TAGUCHI 09JUL'10		SOCKET ASSY
APVD: T.NAKASHIMA 09JUL'10		rPGA989 & rPGA988X
PRODUCT SPEC: 108-78742		GOLD FLASH PL
APPLICATION SPEC: 114-5495	SIZE: A2	CAGE CODE: 00779
MATERIAL: SEE NOTE	SCALE: NTS	DRAWING NO: C=2134146
FINISH: SEE NOTE	SHEET: 1 of 6	REV: E

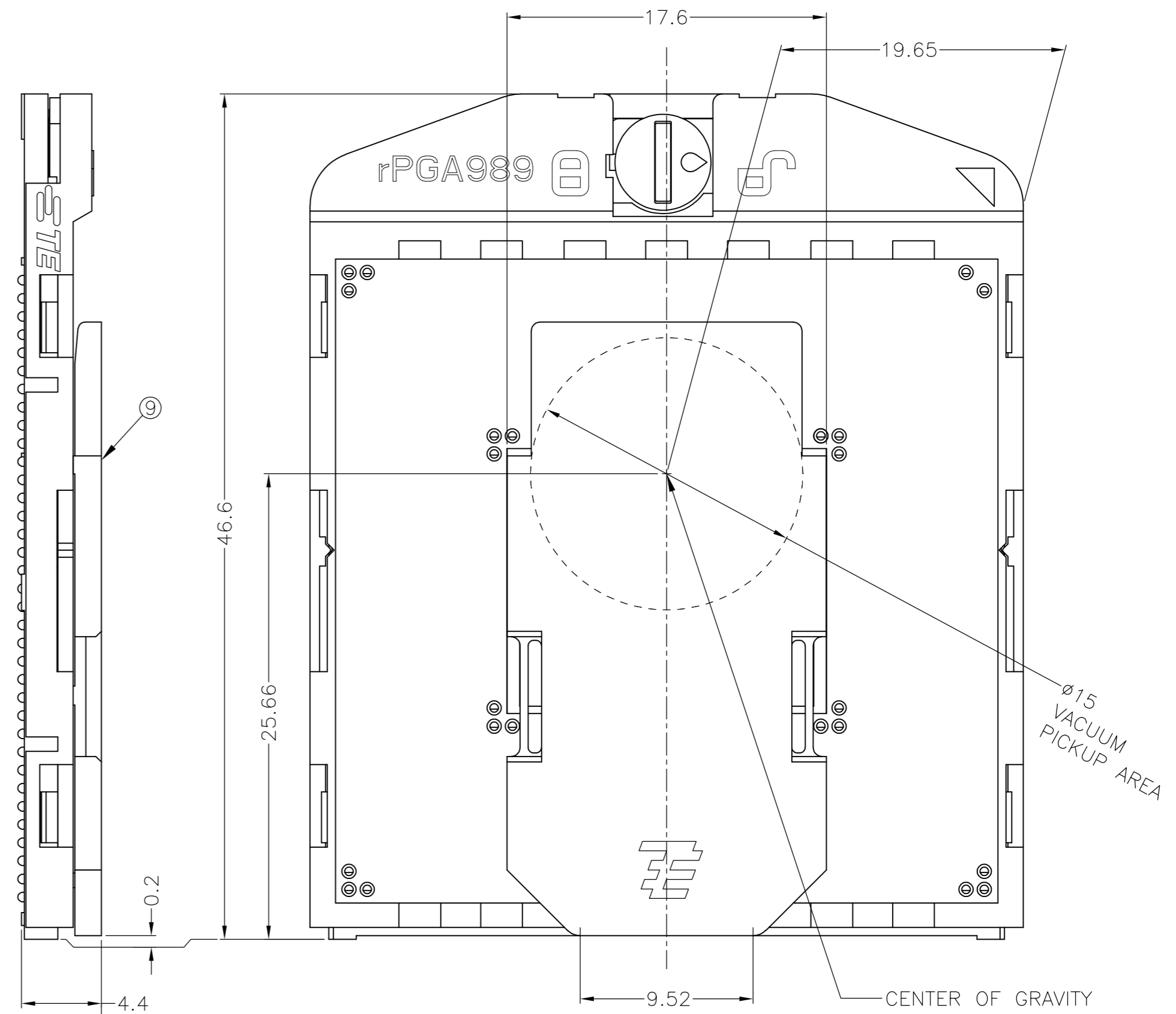
THIS DRAWING IS UNPUBLISHED. RELEASED FOR PUBLICATION
 © COPYRIGHT - By Tyco Electronics Japan G.K. ALL RIGHTS RESERVED.

LOC		DIST		REVISIONS			
P	LTR	DESCRIPTION		DATE	DWN	APVD	
-	-	SEE SHEET 1		-	-	-	



STANDARD (STD) CAP TYPE

2134146-X, 2-2134146-X, AS SHOWN



RAISED CAP TYPE

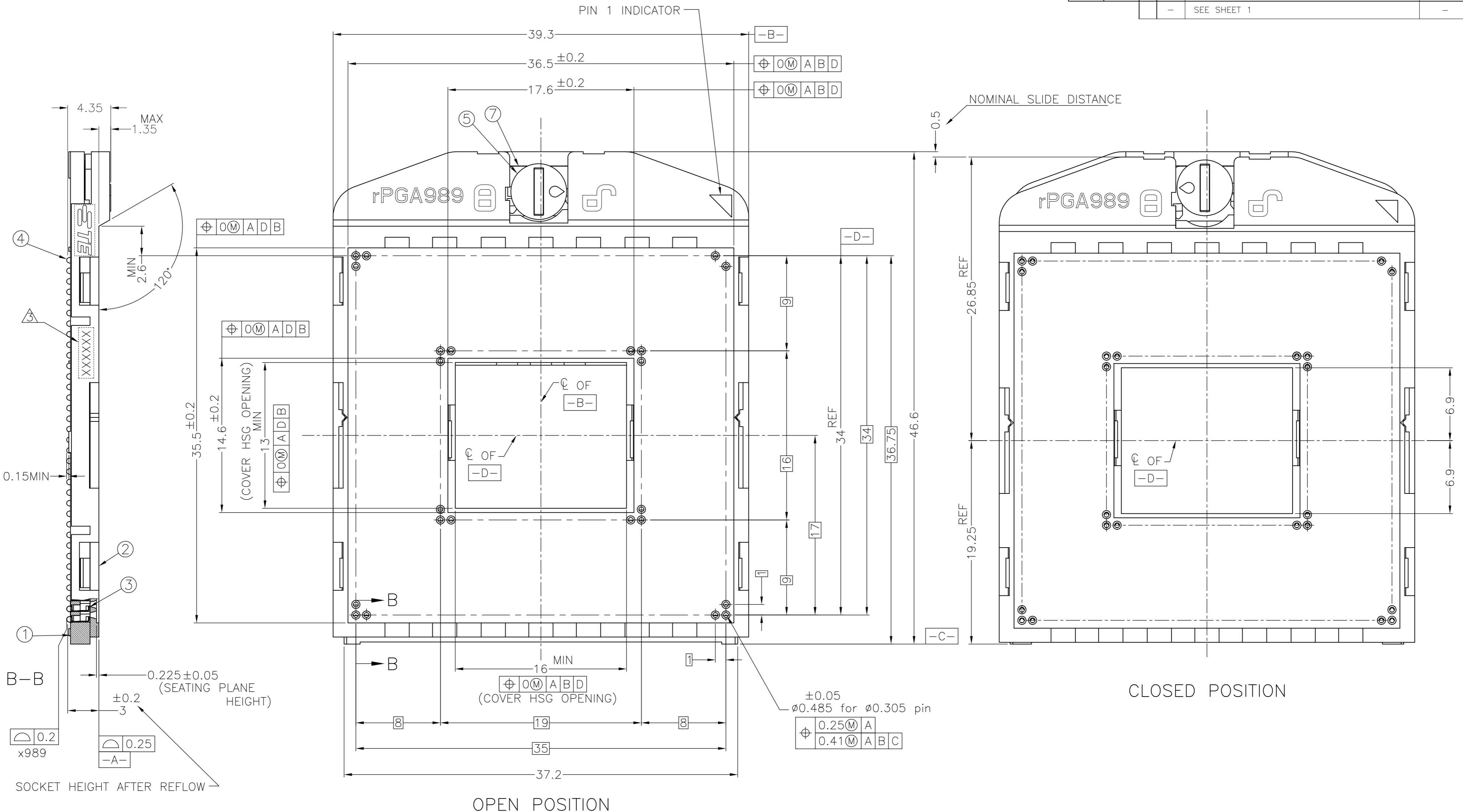
4-2134146-X, AS SHOWN

CAP ASSY CONDITION

THIS DRAWING IS A CONTROLLED DOCUMENT.		DWN Y. TAKAHASHI	TE Connectivity	
DIMENSIONS: 単位: 寸 mm		CHK	NAME 名称	
TOLERANCES UNLESS OTHERWISE SPECIFIED: 一般公差		APVD	PRODUCT SPEC 製品規格	
φ-PLC ±0.3		PRODUCT SPEC	APPLICATION SPEC 取付適用規格	
1-PLC ±		APPLICATION SPEC	SIZE	CAGE CODE
2-PLC ±		WEIGHT	A2	00779
3-PLC ±		MATERIAL 材料	DRAWING NO 番号	RESTRICTED TO
4-PLC ±		FINISH 仕上	C=2134146	-
ANGLES ± 1°		CUSTOMER DRAWING	SCALE 尺度	SHEET 2 of 6
REV E				

THIS DRAWING IS UNPUBLISHED. RELEASED FOR PUBLICATION
 © COPYRIGHT - By Tyco Electronics Japan G.K. ALL RIGHTS RESERVED.

LOC		DIST		REVISIONS			
P	LTR	DESCRIPTION		DATE	DWN	APVD	
-	-	SEE SHEET 1		-	-	-	



1. MATERIAL

- ① BASE HOUSING : HIGH TEMP, THERMOPLASTIC, UL94V-0
 - ② COVER HOUSING : HIGH TEMP, THERMOPLASTIC, UL94V-0
 - ③ CONTACT : COPPER ALLOY
FINISH : GOLD FLASH Au PL. AT CONTACT AREA ON ALL OVER Ni UNDER PL. 0.00127 MIN.
 - ④ SOLDER BALL : Sn/Ag/Cu
 - ⑤ CAM : STAINLESS STEEL
 - ⑥ BASE PLATE : STAINLESS STEEL
 - ⑦ SLIDE PLATE : STAINLESS STEEL
 - ⑧ WASHER : STAINLESS STEEL
FINISH : W/O PL. OR BLACK Ni PL.
 - ⑨ PnP CAP : HIGH TEMP, THERMOPLASTIC, UL94V-0, BLACK
- △ CAM OPERATION ANGLE : 180DEG
 △ INDICATED DATE CODE ON THE HSG

rPGA989 AS SHOWN
 CAP IS REMOVED

2134146-X, 4-2134146-X AS SHOWN

THIS DRAWING IS A CONTROLLED DOCUMENT.		DWN Y. TAKAHASHI	TE Connectivity	
DIMENSIONS: 単位: 寸 mm		CHK -	NAME 名称	
TOLERANCES UNLESS OTHERWISE SPECIFIED: 一般公差		APVD -	PRODUCT SPEC 製品規格	
①-PLC ±0.3 ②-PLC ±0.3 ③-PLC ±0.3 ④-PLC ±0.3 ANGLES ±		APPLICATION SPEC 取付適用規格	SOCKET ASSY rPGA989 & rPGA988X GOLD FLASH PL	
MATERIAL 材料	FINISH 仕上	WEIGHT -	SIZE A2	CAGE CODE 00779
CUSTOMER DRAWING		DRAWING NO 番号 C=2134146	RESTRICTED TO -	SCALE 尺度 NTS
			SHEET 3 OF 6	REV E

THIS DRAWING IS UNPUBLISHED. RELEASED FOR PUBLICATION
 © COPYRIGHT - By Tyco Electronics Japan G.K. ALL RIGHTS RESERVED.

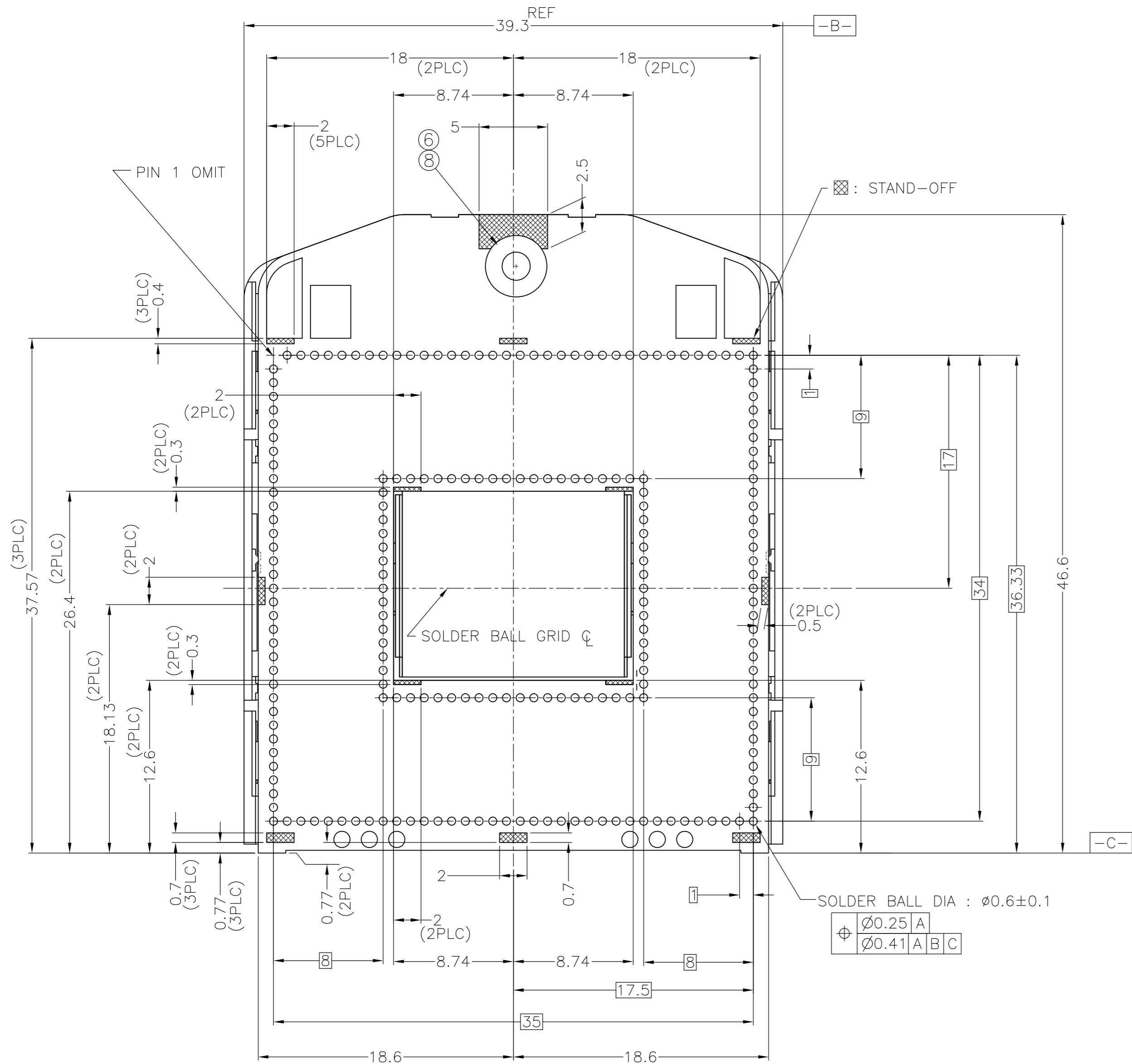
LOC	DIST	REVISONS					
		P	LTR	DESCRIPTION	DATE	DWN	APVD
-	-	-	-	SEE SHEET 1	-	-	-

PACKAGE ORIENTATION	PRODUCT TOP VIEW (WITHOUT CAP)		PRODUCT BOTTOM VIEW
	rPGA989	rPGA988B	rPGA989/988B
STANDARD	<p>989 COVER HOLES 989 SOLDER BALLS</p>	<p>988 COVER HOLES 989 SOLDER BALLS</p>	<p>PIN 1 OMIT</p>

DETAIL Z COVER HOLE CONFIGURATION	
<p>rPGA989</p>	<p>rPGA988B</p>

THIS DRAWING IS A CONTROLLED DOCUMENT.		DWN Y.TAKAHASHI 09JUL'10		
DIMENSIONS: 単位: 寸 mm		CHK -		
TOLERANCES UNLESS OTHERWISE SPECIFIED: 一般公差		PRODUCT SPEC 製品規格		NAME 名称
		0-PLC ±0.3 1-PLC ±0.3 2-PLC ±0.3 3-PLC ±0.3 4-PLC ±0.3 ANGLES ±0.5		SOCKET ASSY rPGA989 & rPGA988X GOLD FLASH PL
MATERIAL 材料	FINISH 仕上	WEIGHT -	APPLICATION SPEC 取付適用規格	RESTRICTED TO -
CUSTOMER DRAWING		SCALE 尺度 NTS	SHEET 4 OF 6	REV E

LOC		DIST		REVISIONS			
P	LTR	DESCRIPTION		DATE	DWN	APVD	
-	-	SEE SHEET 1		-	-	-	



BOTTOM VIEW
(OPEN POSITION)

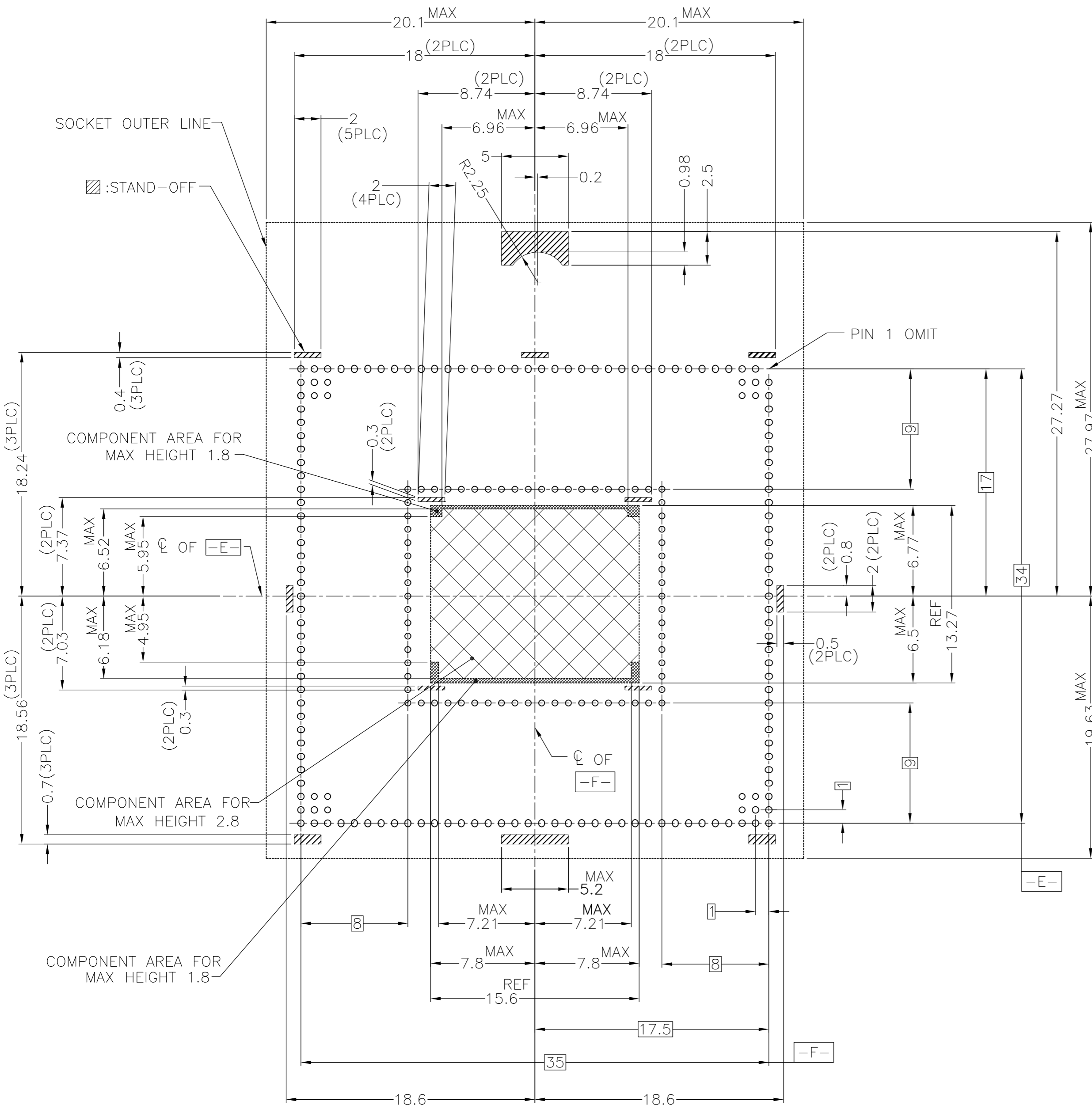
2134146-X, 2-2134146-X, 4-2134146-X AS SHOWN

THIS DRAWING IS A CONTROLLED DOCUMENT.		DWN Y. TAKAHASHI	TE Connectivity													
DIMENSIONS: 単位: 寸 mm		CHK -			NAME 名称											
TOLERANCES UNLESS OTHERWISE SPECIFIED: 一般公差		APVD -	SOCKET ASSY rPGA989 & rPGA988X GOLD FLASH PL													
<table border="1"> <tr><td>φ-PLC</td><td>±0.3</td></tr> <tr><td>1-PLC</td><td>±0.3</td></tr> <tr><td>2-PLC</td><td>±0.3</td></tr> <tr><td>3-PLC</td><td>±0.3</td></tr> <tr><td>4-PLC</td><td>±0.3</td></tr> <tr><td>ANGLES</td><td>±</td></tr> </table>		φ-PLC	±0.3	1-PLC	±0.3	2-PLC	±0.3	3-PLC	±0.3	4-PLC	±0.3	ANGLES	±	PRODUCT SPEC 製品規格	SIZE A2	CAGE CODE 00779
φ-PLC	±0.3															
1-PLC	±0.3															
2-PLC	±0.3															
3-PLC	±0.3															
4-PLC	±0.3															
ANGLES	±															
MATERIAL 材料		APPLICATION SPEC 取付適用規格	DRAWING NO 番号 C=2134146	RESTRICTED TO -												
FINISH 仕上		WEIGHT -	SCALE 尺度 NTS	SHEET 5 of 6												
CUSTOMER DRAWING			REV E													

2134146

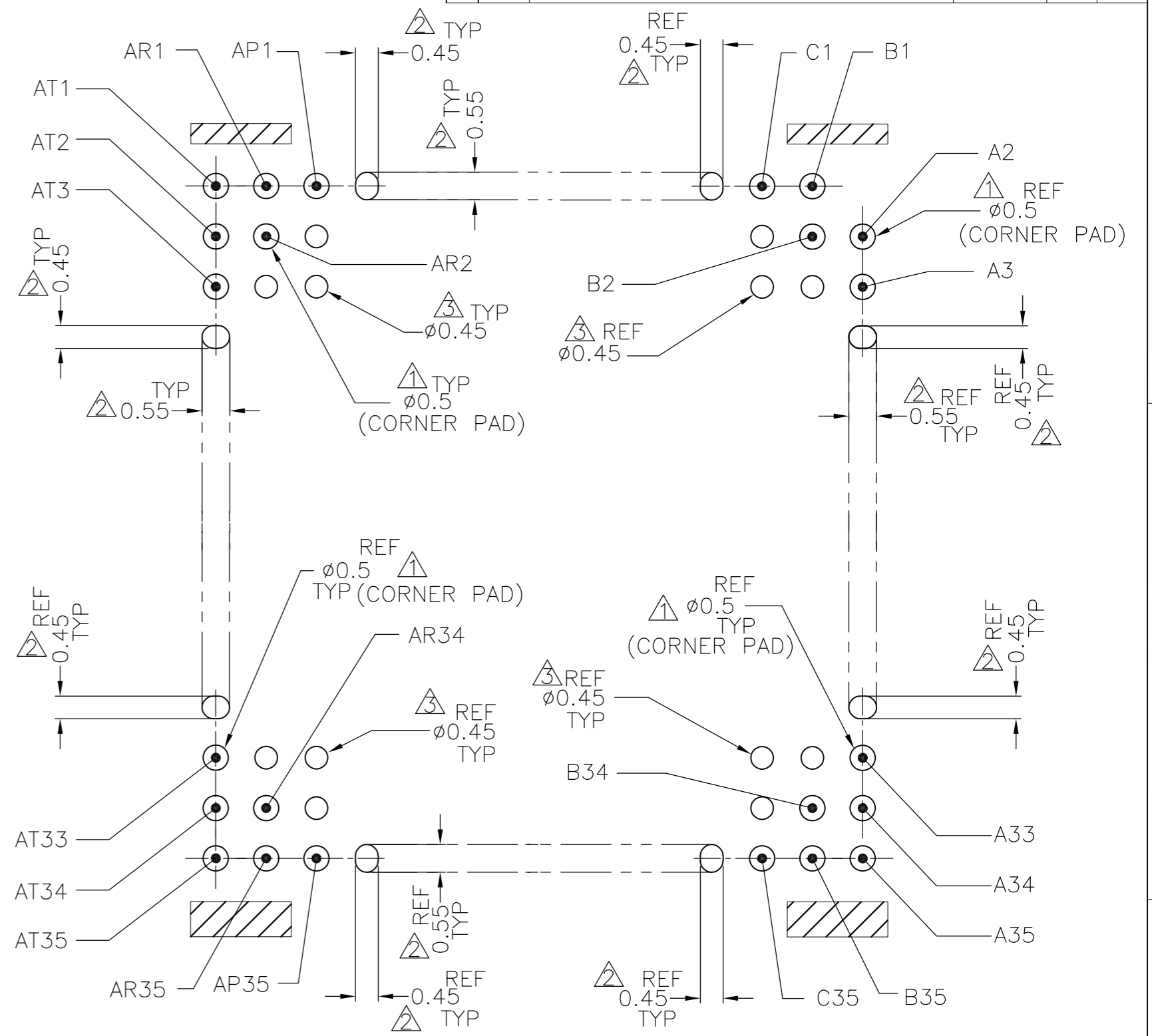
THIS DRAWING IS UNPUBLISHED. RELEASED FOR PUBLICATION
 © COPYRIGHT - By Tyco Electronics Japan G.K. ALL RIGHTS RESERVED.

Loc	DIST	P	LTR	REVISIONS	DATE	DWN	APVD
-	-	-	-	変更 DESCRIPTION	-	-	-
SEE SHEET 1							



PCB LAYOUT

2134146-X, 2-2134146-X, 4-2134146-X AS SHOWN



DETAIL FOR CORNER PAD

NOTE(APPLIED TO SHEET 5 OF 6 AND 6 OF 6):
 ▲ METAL DEFINED PADS(ø0.5mm PAD/ø0.6mm SRO) OR SOLDER MASKED DEFINED PAD (ø0.6mm PAD WITH ø0.5mm SRO) IS RECOMMENDED FOR CORNER PADS SHOWN BELOW, BUT NOT LIMITED, ANY PAD WHICH IS ON OR NEAR OUTSIDE ROWS IS ALSO APPLIED IF ROUTING PERMITS.
 APPLIED CORNER PADS LOCATION:
 A2,A3,B1,B2,C1,A33,A34,A35,B34,B35,C35,
 AP35,AR34,AR35,AT33,AT34,AT35,AP1,AR1,AR2,AT1,AT2,AT3
 ▲ OBLONG-SHAPE PADS ARE RECOMMENDED FOR THE PERIPHERAL PADS EXCEPT FOR THE PADS WHICH ARE DEFINED IN ▲:
 METAL DEFINED OBLONG PADS(0.45X0.55mm PAD/0.55X0.65mm SRO)
 SOLDER MASKED DEFINE OBLONG PADS(0.45X0.55mm SRO)
 ▲ ALL PADS EXCEPT FOR DEFINED IN ▲, ▲:
 METAL DEFINED PADS(ø0.45mm min PAD/0.55-0.65mm SRO)
 SOLDER MASKED DEFINED PADS(ø0.45mm SRO)
 THE NUMBER OF SOLDER MASKED DEFINED PADS SHOULD BE MINIMIZED AND AVOIDED NEAR CORNERS OR OUTER EDGES.

THIS DRAWING IS A CONTROLLED DOCUMENT.		DWN Y. TAKAHASHI	TE Connectivity	
DIMENSIONS: 単位: 寸 mm	TOLERANCES UNLESS OTHERWISE SPECIFIED: 一般公差	CHK -	NAME 名称	SOCKET ASSY rPGA9889 & rPGA988X GOLD FLASH PL
MATERIAL 材料	FINISH 仕上	APVD -	SIZE A2	CAGE CODE 00779
		PRODUCT SPEC 製品規格	DRAWING NO 番号	RESTRICTED TO -
		APPLICATION SPEC 取付適用規格	DRAWING NO 番号 C=2134146	
		WEIGHT -	SCALE 尺度 NTS	
		CUSTOMER DRAWING		SHEET 6 OF 6
				REV E