



Chipsmall Limited consists of a professional team with an average of over 10 year of expertise in the distribution of electronic components. Based in Hongkong, we have already established firm and mutual-benefit business relationships with customers from,Europe,America and south Asia,supplying obsolete and hard-to-find components to meet their specific needs.

With the principle of “Quality Parts,Customers Priority,Honest Operation,and Considerate Service”,our business mainly focus on the distribution of electronic components. Line cards we deal with include Microchip,ALPS,ROHM,Xilinx,Pulse,ON,Everlight and Freescale. Main products comprise IC,Modules,Potentiometer,IC Socket,Relay,Connector.Our parts cover such applications as commercial,industrial, and automotives areas.

We are looking forward to setting up business relationship with you and hope to provide you with the best service and solution. Let us make a better world for our industry!



## Contact us

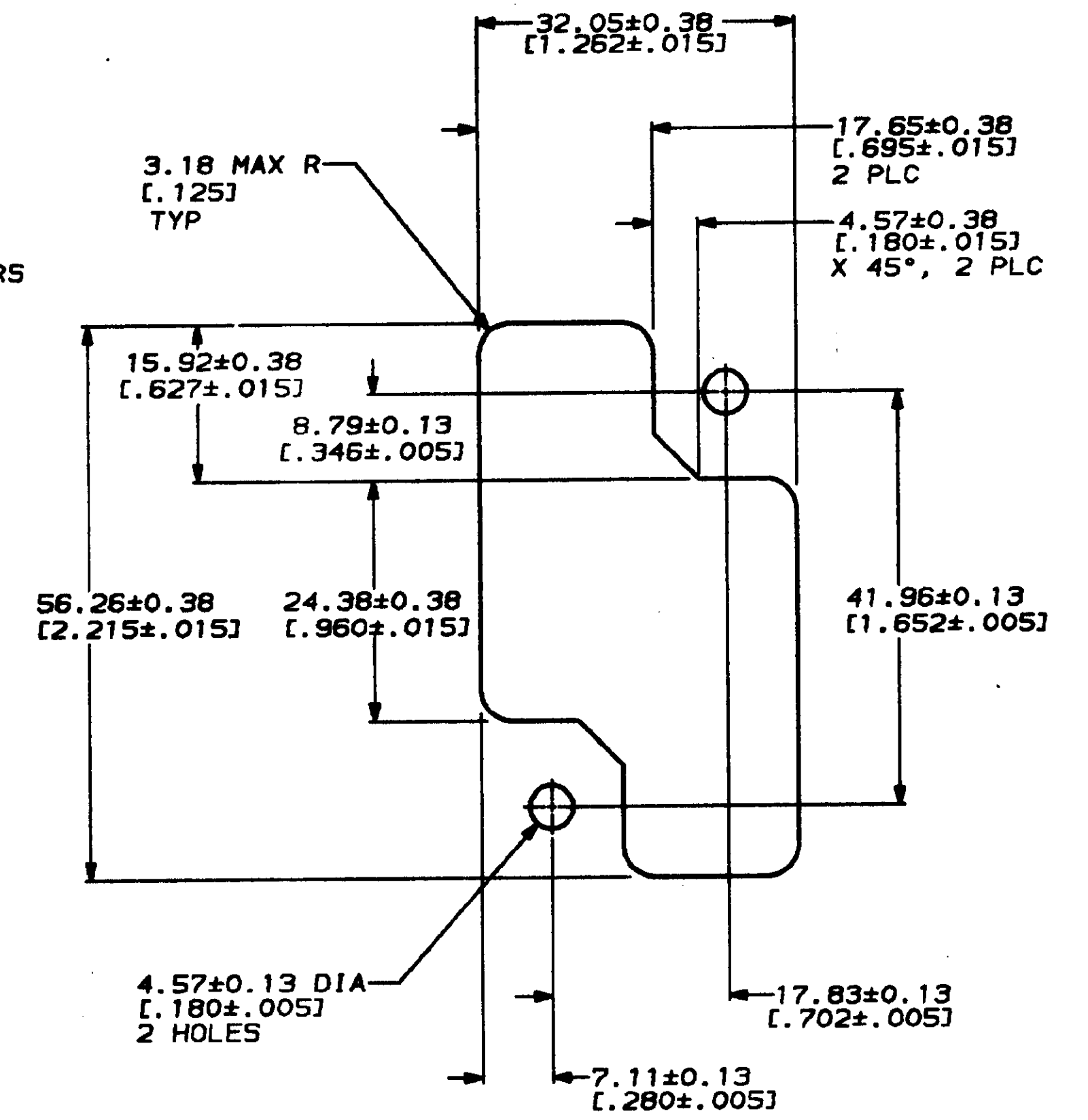
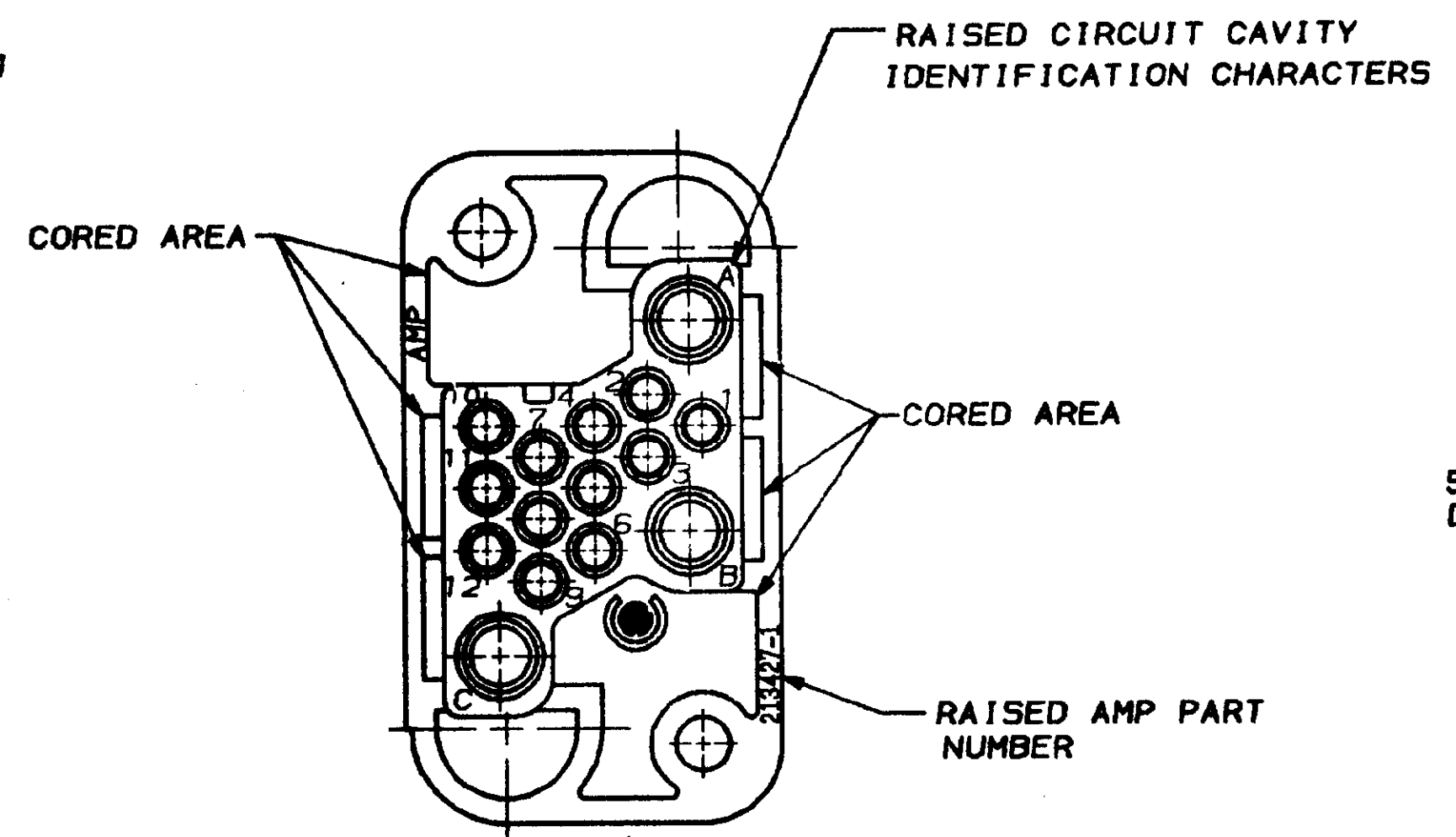
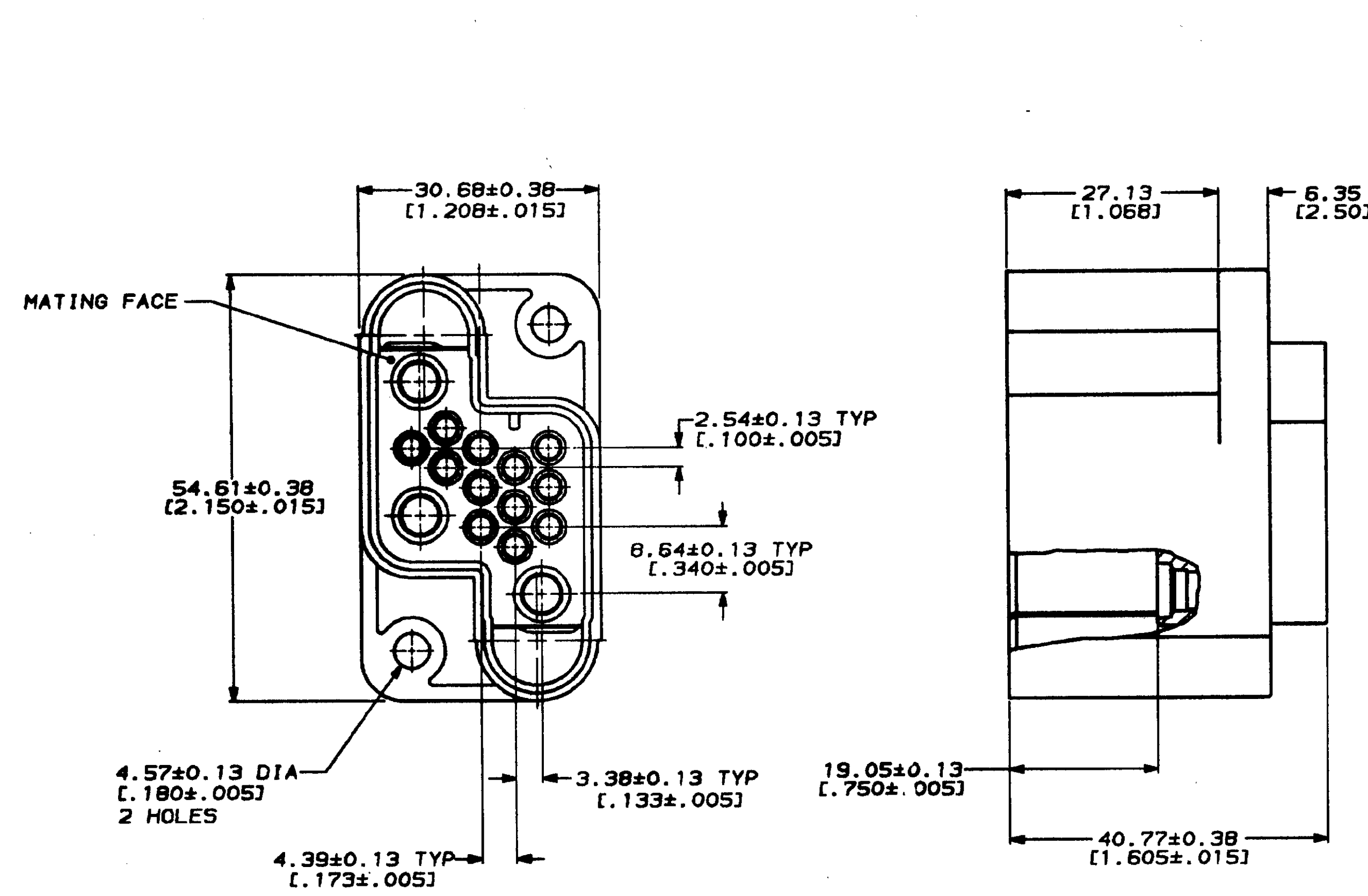
Tel: +86-755-8981 8866 Fax: +86-755-8427 6832

Email & Skype: info@chipsmall.com Web: www.chipsmall.com

Address: A1208, Overseas Decoration Building, #122 Zhenhua RD., Futian, Shenzhen, China



NO		LAC		DTST		REVISIONS	
1	BD	39					
ZONE	LTR	DESCRIPTION	DATE	APPD			
		REL PER NPR 2092, W/S 87-5019-51	10-28-87	MG			
		REV PER ECN S4434	2-23-88	MG			
		REV PER ECN BD3182 & BD3273	8-22-88	AB			
		REV ECN BD4792 & BD5024	04/28/91	P.T.			



RECOMMENDED PANEL CUTOUT

1. THIS RECEPTACLE HOUSING MATES WITH PLUG HOUSING PART NUMBER 213426-1.
2. THIS HOUSING ACCEPTS (3) POWER SIZE 8 OR COAXIAL SIZE 8 PIN CONTACTS AND (12) TYPE II SIZE 16, TYP III+ SIZE 16, TYPE VI SIZE 16, TYPE X SIZE 16, SUBMINIATURE COAXICON OR OPTIMATE FIBER OPTIC PIN CONTACTS.
3. DIMENSIONS IN BRACKETS ARE IN INCHES.

DO NOT SCALE PRINT. UNLESS SPECIFIED DIMENSIONS ARE IN MM. TOLERANCES ON: 2 PLC DEC ± 0.25(.010) 3 PLC DEC ± .005 ANGLES ± 0°30'		DR D ERDMAN 10-28-88 CHK LARRY G LAWVER 10-28-88 APPD MICHAEL D GALLOWAY 10-29-88	AMP INCORPORATED Manufacturing, Pa. 17108
MATERIAL POLYESTER, GLASS FIBER REINFORCED, FLAME RETARDED, BLACK		PRODUCT SPEC	NAME HOUSING, RECEPTACLE, DRAWER CONNECTOR, 15 POSITION, METRIMATE
FINISH	APPLICATION SPEC	SIZE D	FSCH NO 00779
WEIGHT		SCALE 2:1	DRAWING NO 213427
			SHEET 1 OF 1



CUSTOMER DRAWING