



Chipsmall Limited consists of a professional team with an average of over 10 year of expertise in the distribution of electronic components. Based in Hongkong, we have already established firm and mutual-benefit business relationships with customers from,Europe,America and south Asia,supplying obsolete and hard-to-find components to meet their specific needs.

With the principle of “Quality Parts,Customers Priority,Honest Operation,and Considerate Service”,our business mainly focus on the distribution of electronic components. Line cards we deal with include Microchip,ALPS,ROHM,Xilinx,Pulse,ON,Everlight and Freescale. Main products comprise IC,Modules,Potentiometer,IC Socket,Relay,Connector.Our parts cover such applications as commercial,industrial, and automotives areas.

We are looking forward to setting up business relationship with you and hope to provide you with the best service and solution. Let us make a better world for our industry!



Contact us

Tel: +86-755-8981 8866 Fax: +86-755-8427 6832

Email & Skype: info@chipsmall.com Web: www.chipsmall.com

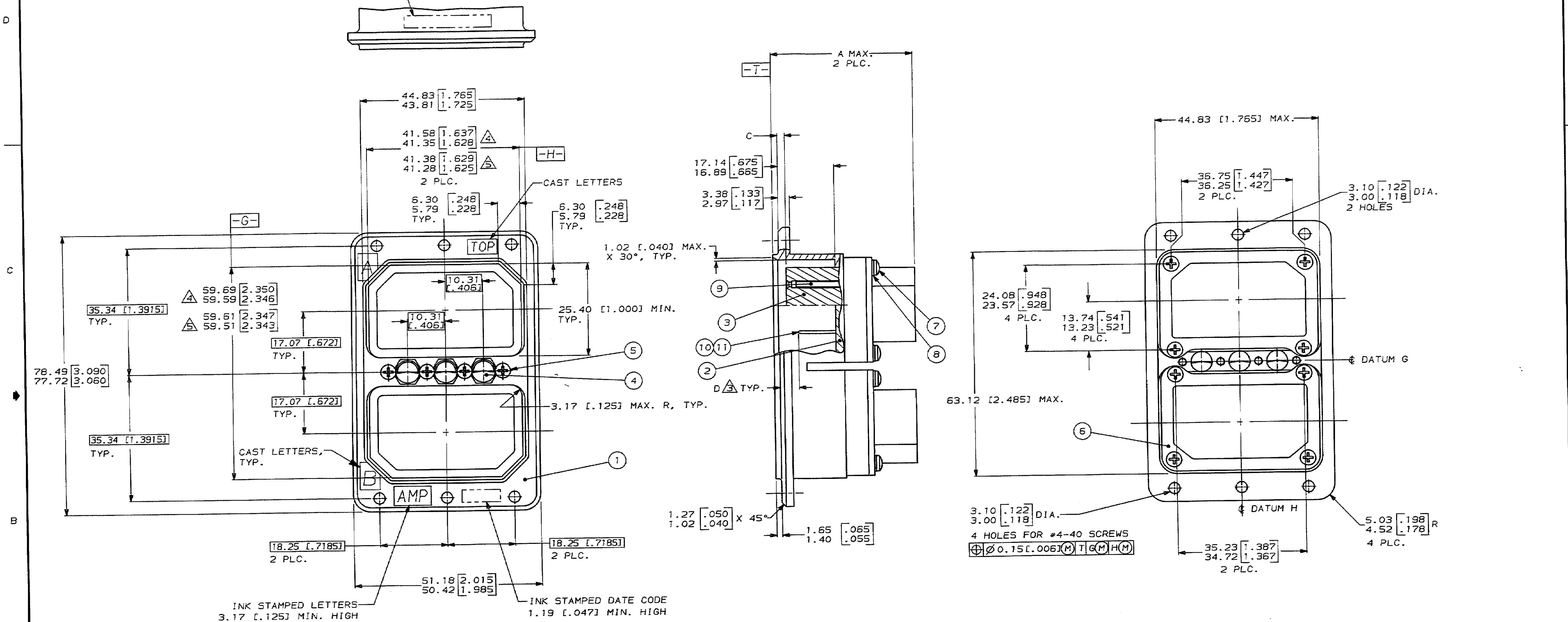
Address: A1208, Overseas Decoration Building, #122 Zhenhua RD., Futian, Shenzhen, China



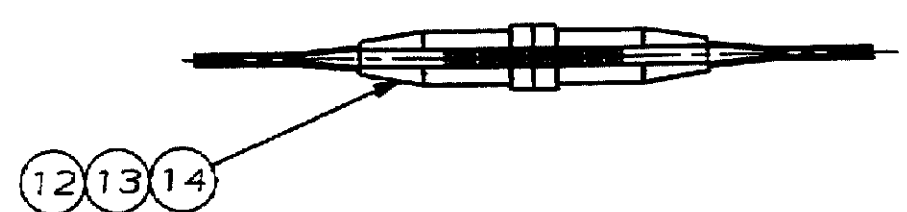
DRAWING MADE IN THIRD ANGLE PROJECTION
 THIS DRAWING IS UNPUBLISHED. RELEASED FOR PUBLICATION .19
 © COPYRIGHT 19 BY AMP INCORPORATED, HARRISBURG, PA. ALL INTERNATIONAL RIGHTS RESERVED. AMP PRODUCTS MAY BE COVERED BY U.S. AND FOREIGN PATENTS AND/OR PATENTS PENDING.

REVISIONS									
LOC	DIST	P	F	ZONE	LTR	DATE	APPD		
5049	DF	AO						0	RELEASED
								A	REV PER ECN DF-0770 TW
						3-89			EJH

BOTH DESCRIPTIVE & NUMERICAL (ORDERING)
 PART NO. INKSTAMPED 1.19 [.047] MIN. HIGH



- CONTACTS SHOWN LOADED FOR ILLUSTRATION ONLY; ARE INCLUDED IN A CONTAINER WITHIN CONNECTOR PACKAGE FOR SHIPMENT.
- FOR INSERT ARRANGEMENTS AND DIMENSIONS, SEE TABLES ON SHEET 2 OF 2.
- FOR CONTACT SIZE 22, D DIMENSION REPRESENTS SOCKET CONTACTS.
- DIMENSION TAKEN AT 7.67/7.57 [.302/.298] FROM TOP EDGE.
- DIMENSION TAKEN AT 1.32/1.22 [.052/.048] FROM BOTTOM OF CAVITY.
- DIMENSIONS IN BRACKETS ARE IN INCHES.



UNLESS OTHERWISE SPECIFIED DIMENSIONS ARE IN MM TOLERANCES ON:		DR 3-11-87 MARK HOFFECKER		PART NO	
2 PL DEC ±		CHK 3-11-87 LARRY LAWNER	AMP INCORPORATED Harrisburg, Pa. 17105		
3 PL DEC ±		APPD 3-11-87 EDWARD HOWARD	NAME		
ANGLES ±	0°30'	APPD 3-11-87 E. SMITH	RECEPTACLE CONN. KIT, ARINC 404, DUAL INSERT, R2R SERIES		
MATERIAL	SEE TABLE SHT. 2 OF 2	PRODUCT SPEC	SIZE	FSCM NO	DRAWING NO
FINISH	SEE TABLE SHT. 2 OF 2	APPLICATION SPEC	D	00779	213434
		WEIGHT	SCALE	2:1	SHEET 1 OF 2

METRIC

CUSTOMER DRAWING

