



Chipsmall Limited consists of a professional team with an average of over 10 year of expertise in the distribution of electronic components. Based in Hongkong, we have already established firm and mutual-benefit business relationships with customers from,Europe,America and south Asia,supplying obsolete and hard-to-find components to meet their specific needs.

With the principle of "Quality Parts,Customers Priority,Honest Operation,and Considerate Service",our business mainly focus on the distribution of electronic components. Line cards we deal with include Microchip,ALPS,ROHM,Xilinx,Pulse,ON,Everlight and Freescale. Main products comprise IC,Modules,Potentiometer,IC Socket,Relay,Connector.Our parts cover such applications as commercial,industrial, and automotives areas.

We are looking forward to setting up business relationship with you and hope to provide you with the best service and solution. Let us make a better world for our industry!



## Contact us

Tel: +86-755-8981 8866 Fax: +86-755-8427 6832

Email & Skype: info@chipsmall.com Web: www.chipsmall.com

Address: A1208, Overseas Decoration Building, #122 Zhenhua RD., Futian, Shenzhen, China

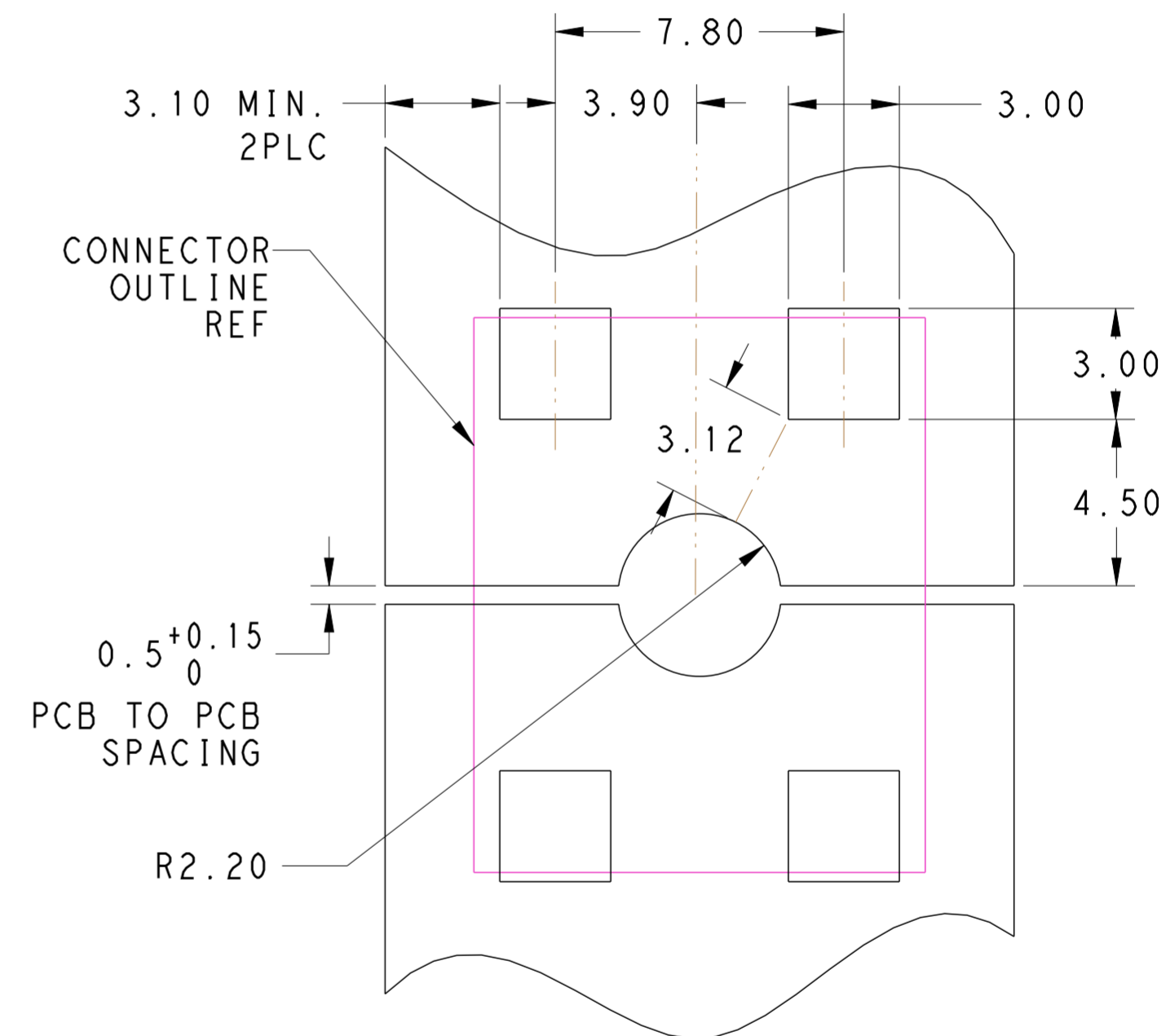
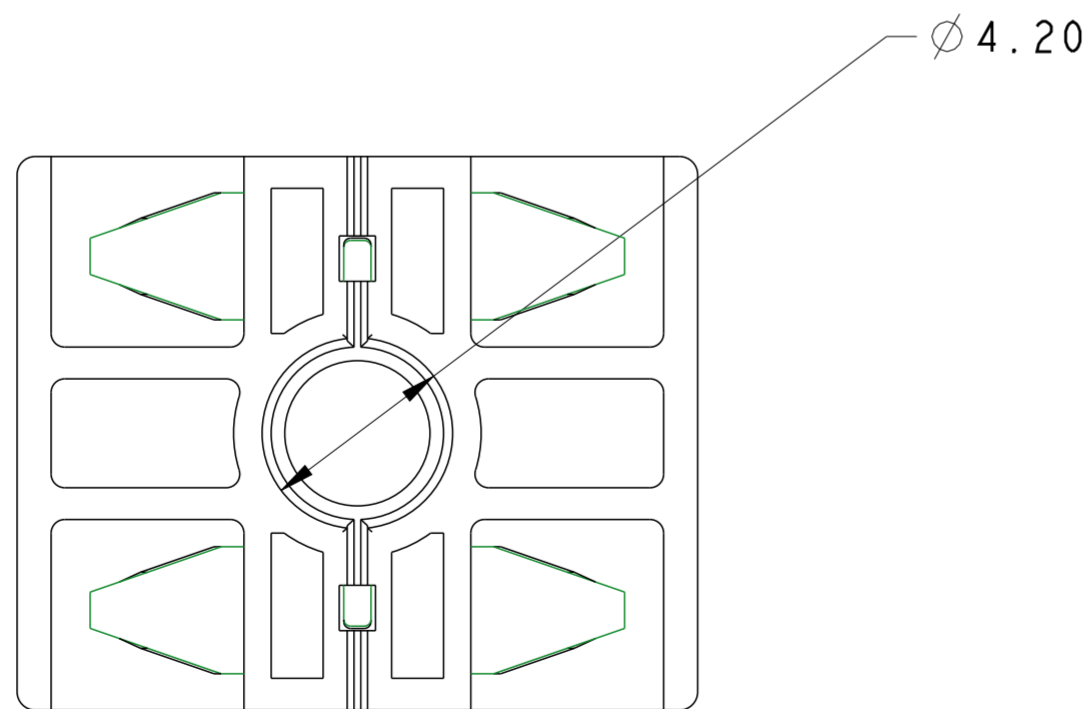
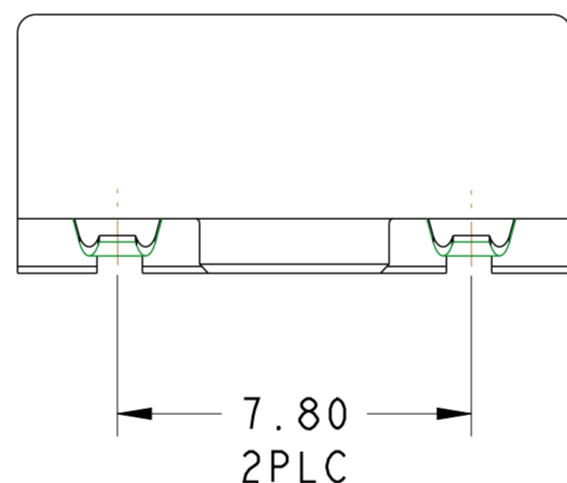
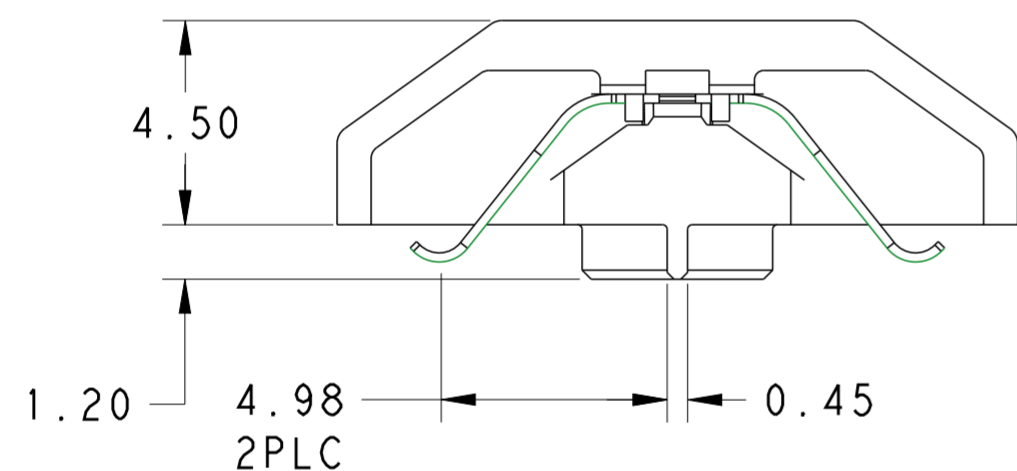
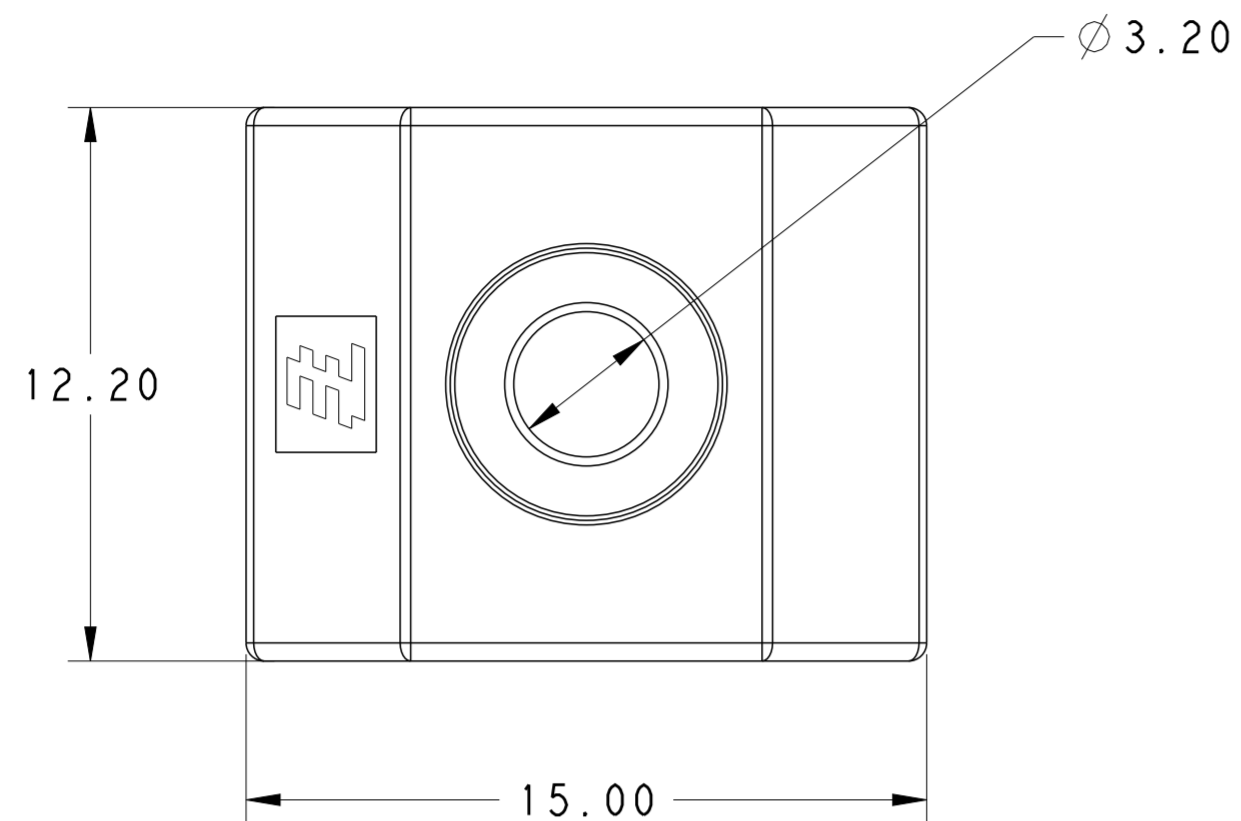


THIS DRAWING IS UNPUBLISHED. RELEASED FOR PUBLICATION 20  
 © COPYRIGHT 20 BY TYCO ELECTRONICS CORPORATION. ALL INTERNATIONAL RIGHTS RESERVED.

LOC		DIST		REVISIONS			
P	LTR	DESCRIPTION		DATE	DWN	APVD	
	A	RELEASED DRAWING		20DEC2010	K. J	X. X	

NOTES:

1. MATERIALS AND FINISH:  
 -HOUSING; THERMAL PLASTIC, COLOR: WHITE  
 -CONTACT: COPPER ALLOY, FINISH: TIN OVER NICKEL
2. MUST COMPLY WITH DIRECTIVE 2002/95/EC (ROHS)
3. RECOMMENDED SCREW SIZE: M3  
 MAX SCREW DOWN TORQUE: 0.63 N.m
4. SCREWS FROM FERROUS METALS (OTHER THAN STAINLESS STEEL)  
 SHOULD BE ZINC PLATED OR HAVE AN EQUIVALENT PROTECTIVE COATING
5. PACKAGING: SOFT TRAY



RECOMMENDED PCB LAYOUT  
 SCALE 6:1

PART NO	2134347-1
---------	-----------

<small>THIS DRAWING IS A CONTROLLED DOCUMENT FOR TYCO ELECTRONICS CORPORATION. IT IS SUBJECT TO CHANGE AND THE CONTROLLING ENGINEERING ORGANIZATION SHOULD BE CONTACTED FOR THE LATEST REVISION.</small>		DWN	20DEC2010	 Tyco Electronics Corporation Shanghai, China
		CHK	20DEC2010	
		APVD	20DEC2010	
		NAME	XIANG XU	
DIMENSIONS: mm		TOLERANCES UNLESS OTHERWISE SPECIFIED: 0 PLC ±- 1 PLC ±0.2 2 PLC ±0.13 3 PLC ±0.013 4 PLC ±0.0001 ANGLES ±- FINISH		PRODUCT SPEC - APPLICATION SPEC - WEIGHT -
MATERIAL -		CUSTOMER DRAWING		NAME MINI SCREW DOWN JUMPER B-B CONNECTOR SIZE A200779 CAGE CODE C-2134347 DRAWING NO C-2134347 RESTRICTED TO -
		SCALE 3:1		SHEET 1 OF 1 REV A