



Chipsmall Limited consists of a professional team with an average of over 10 year of expertise in the distribution of electronic components. Based in Hongkong, we have already established firm and mutual-benefit business relationships with customers from,Europe,America and south Asia,supplying obsolete and hard-to-find components to meet their specific needs.

With the principle of “Quality Parts,Customers Priority,Honest Operation,and Considerate Service”,our business mainly focus on the distribution of electronic components. Line cards we deal with include Microchip,ALPS,ROHM,Xilinx,Pulse,ON,Everlight and Freescale. Main products comprise IC,Modules,Potentiometer,IC Socket,Relay,Connector.Our parts cover such applications as commercial,industrial, and automotives areas.

We are looking forward to setting up business relationship with you and hope to provide you with the best service and solution. Let us make a better world for our industry!



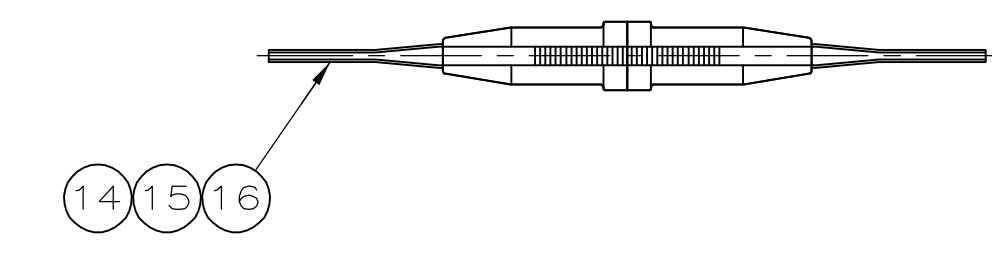
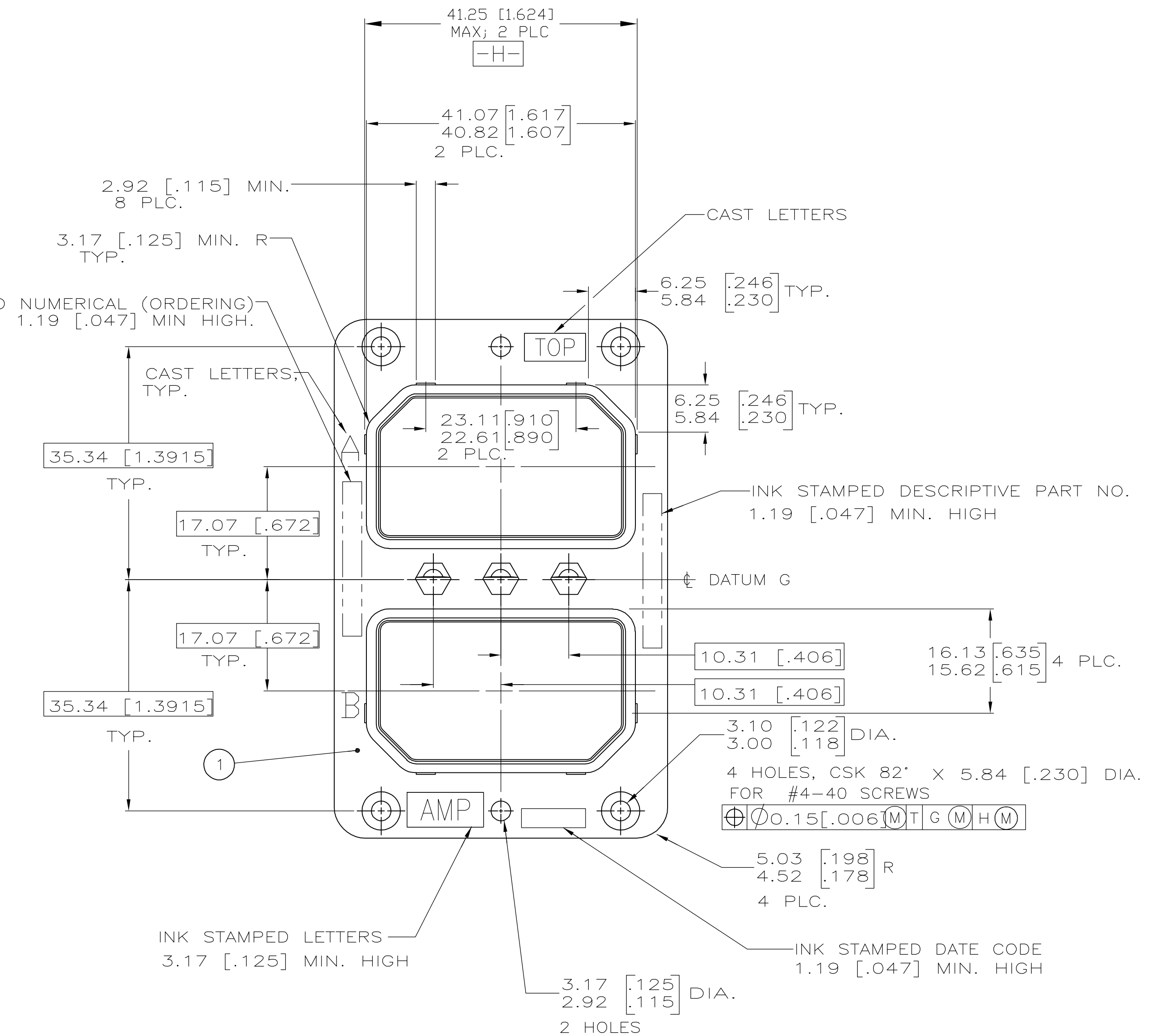
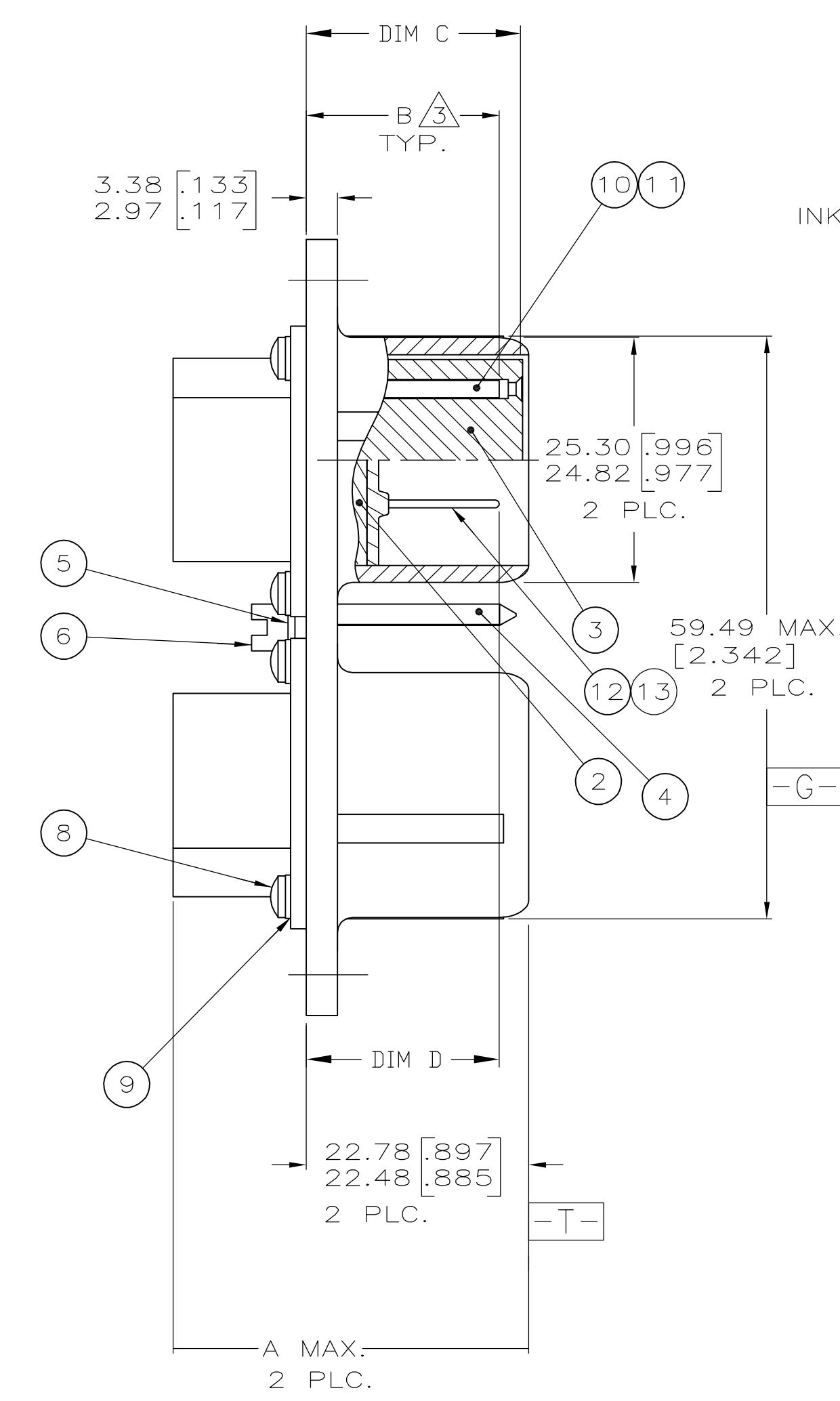
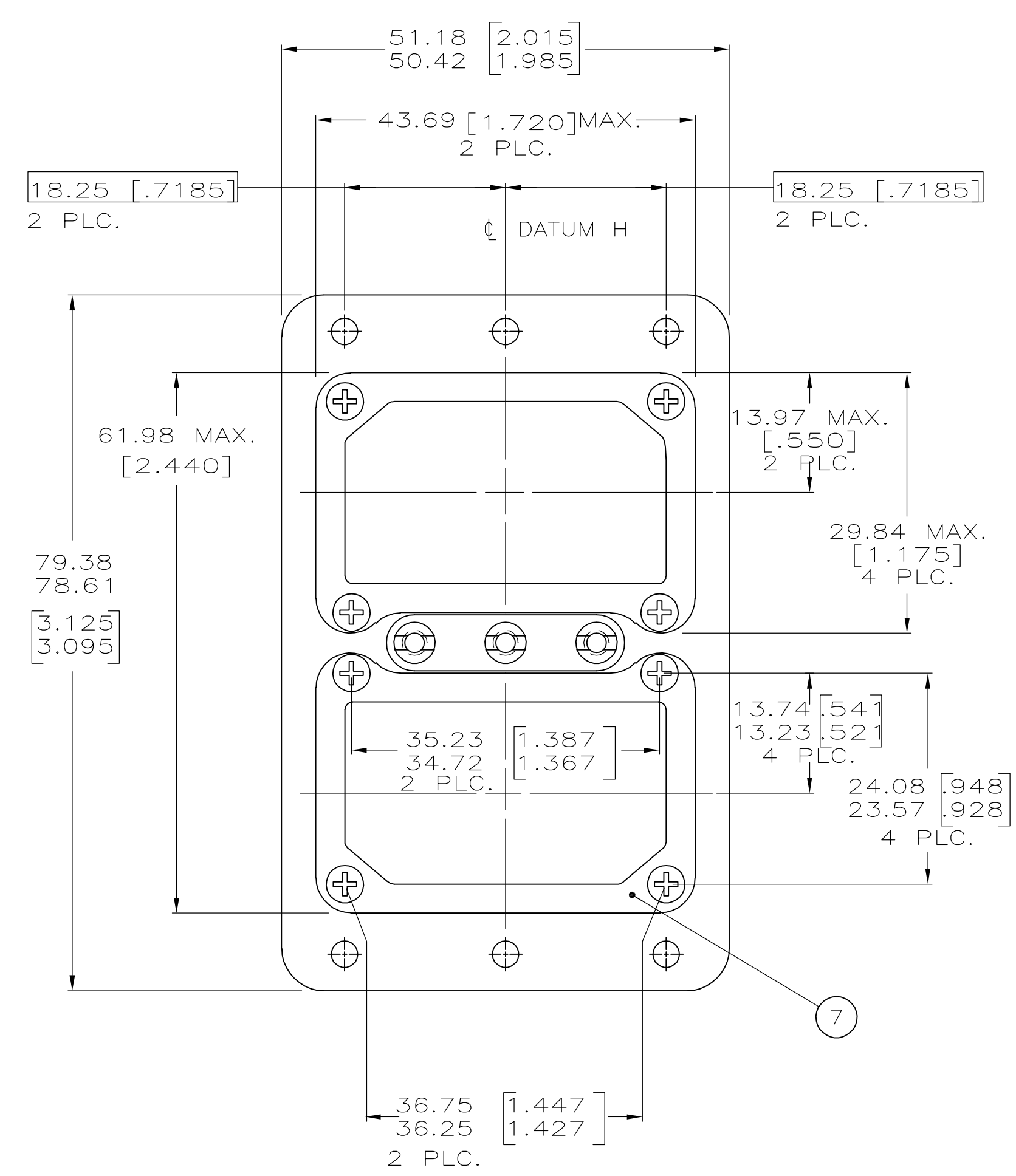
## Contact us

Tel: +86-755-8981 8866 Fax: +86-755-8427 6832

Email & Skype: info@chipsmall.com Web: www.chipsmall.com

Address: A1208, Overseas Decoration Building, #122 Zhenhua RD., Futian, Shenzhen, China





- CONTACTS SHOWN LOADED FOR ILLUSTRATION ONLY; ARE INCLUDED IN A CONTAINER WITHIN CONNECTOR PACKAGE FOR SHIPMENT.
- FOR INSERT ARRANGEMENTS AND DIMENSIONS, SEE TABLES ON SHEET 2 OF 2.
- FOR CONTACT SIZE 22, B DIMENSION REPRESENTS PIN CONTACTS.
- DIMENSIONS IN BRACKETS ARE IN INCHES.

THIS DRAWING IS A CONTROLLED DOCUMENT.		DWN MARK HOFFECKER 3-11-87		Tyco Electronics Corporation Harrisburg, PA 17105-3608	
DIMENSIONS: mm [INCHES]		TOLERANCES UNLESS OTHERWISE SPECIFIED:		NAME LARRY LAWNER 3-11-87	
0 PLC ±		1 PLC ±		PRODUCT SPEC	
2 PLC ±		3 PLC ±		APPLICATION SPEC	
4 PLC ±		ANGLES ± 0°30'		SIZE CASE CODE DRAWING NO	
MATERIAL SEE TABLE		FINISH SEE TABLE		WEIGHT	
		CUSTOMER DRAWING		A1 00779 C=213437	
		SCALE 2:1		SHEET 1 OF 2	

QTY	67S	106P	106P	106P	67S	67S	67S	57S	33C4S	33C4S	26S	26P	DESCRIPTION	ITEM NO	
(200)													CUSTOMER ORDERING CODE, SEE DRAWING 205102		
91		00	00										KEYING CODE, SEE DRAWING 204014		
03		00	00										MODIFICATION CODE, SEE DRAWING 205100		
67S	106P	106P	106P	67S	67S	67S	57S	33C4S	33C4S	26S	26P		INSERT B		
67S	106P	106P	106P	67S	67S	67S	57S	33C4S	33C4S	26S	26P		INSERT A		
16	---	---	---	---	1	---	1	1	1	---	---	---	91066-4	INSERT/EXTRACT TOOL, SIZE 20 - ACETAL/BE CU; PL NICKEL	16
15	---	---	---	---	1	---	1	---	1	---	1	---	91066-3	INSERT/EXTRACT TOOL, SIZE 16 - ACETAL/BE CU; PL NICKEL	15
14	---	---	---	1	---	---	---	---	---	---	---	---	91066-1	INSERT/EXTRACT TOOL, SIZE 22 - ACETAL/BE CU; PL NICKEL	14
13	---	---	---	212	---	---	---	---	---	---	---	---	204873-4	PIN CONT, SIZE 22 - LEADED COPPER; PL GOLD OVER NICKEL	13
12	---	---	---	---	---	---	---	---	---	---	---	26	204978-3	PIN CONT, SIZE 16 - LEADED COPPER; PL GOLD OVER NICKEL	12
11	128	---	---	---	128	---	94	114	50	---	---	---	205116-1	SKT CONT ASSY, SIZE 20 - LEADED COPPER; PL GOLD OVER NICKEL	11
10	6	---	---	---	6	---	3	---	8	---	52	---	205117-1	SKT CONT ASSY, SIZE 16 - LEADED COPPER; PL GOLD OVER NICKEL	10
9	8	8	8	8	8	8	8	8	8	8	8	8	---	LOCKWASHER - STAINLESS STEEL; PASSIVATED	9
8	8	8	8	8	8	8	8	8	8	8	8	8	---	MACHINE SCREW - STAINLESS STEEL; PASSIVATED	8
7	2	2	2	2	2	2	2	2	2	2	2	2	---	RETAINER PLATE - ALUMINUM; ANODIZED BLUE	7
6	3	---	3	3	3	3	3	3	3	3	3	3	---	POLARIZING POST NUT - BRASS; PL CADMIUM, YELLOW CHROMATE	6
5	3	---	3	3	3	3	3	3	3	3	3	3	---	LOCKWASHER - STAINLESS STEEL; PASSIVATED	5
4	3	---	3	3	3	3	3	3	3	3	3	3	---	POLARIZING POST - STAINLESS STEEL; PASSIVATED	4
3	2	---	---	---	2	---	2	---	2	---	2	---	---	SOCKET INSERT ASSEMBLY - EPOXY; BLACK	3
2	---	2	---	---	---	---	---	---	---	---	2	---	---	PIN INSERT ASSEMBLY - EPOXY; BLACK	2
1	1	1	1	1	1	1	1	1	1	1	1	1	---	SHELL - ALUMINUM; PL CADMIUM, YELLOW CHROMATE	1
1--2	1--1	1--0	-9	-8	-7	-6	-5	-4	-3	-2	-1		PART NO	DESCRIPTION	ITEM NO

B DIM. (A)				C DIM.				D DIM.			
CONTACT SIZE				CONTACT SIZE				CONTACT SIZE			
22	20	16	12	22	20	16	12	22	20	16	12
18.69	21.00	19.86		20.24	22.68	22.68	22.68			20.93	
17.48	19.53	18.67		19.53	21.97	21.97	21.97			18.95	
[.736]	[.827]	[.782]		[.797]	[.893]	[.893]	[.893]			[.824]	
[.688]	[.769]	[.735]		[.769]	[.865]	[.865]	[.865]			[.746]	

A DIM.	INSERT ARRANGEMENT													
	C2	C3	8	C8	D8	26	32C2	33C4	40	40C1	45	57	67	106
				36.07		30.61	36.07	36.07				30.61	30.61	24.54
				[1.420]		[1.205]	[1.420]	[1.420]				[1.205]	[1.205]	[.966]

THIS DRAWING IS A CONTROLLED DOCUMENT.

DWY MARK HOFFECKER 3-11-87	Tyco Electronics Corporation
CHK LARRY LAWNER 3-11-87	Harrisburg, PA 17105-3608
NAME LARRY LAYNER 3-11-87	PLUG CONNECTOR KIT, ARINC 404, DUAL INSERT, RM2P SERIES
PRODUCT SPEC	
APPLICATION SPEC	
SIZE	A1
CAGE CODE	00779
DRAWING NO	213437
RESTRICTED TO	
WEIGHT	
CUSTOMER DRAWING	
SCALE	NTS
SHEET	2 OF 2
REV	D