



Chipsmall Limited consists of a professional team with an average of over 10 year of expertise in the distribution of electronic components. Based in Hongkong, we have already established firm and mutual-benefit business relationships with customers from,Europe,America and south Asia,supplying obsolete and hard-to-find components to meet their specific needs.

With the principle of “Quality Parts,Customers Priority,Honest Operation,and Considerate Service”,our business mainly focus on the distribution of electronic components. Line cards we deal with include Microchip,ALPS,ROHM,Xilinx,Pulse,ON,Everlight and Freescale. Main products comprise IC,Modules,Potentiometer,IC Socket,Relay,Connector.Our parts cover such applications as commercial,industrial, and automotives areas.

We are looking forward to setting up business relationship with you and hope to provide you with the best service and solution. Let us make a better world for our industry!



Contact us

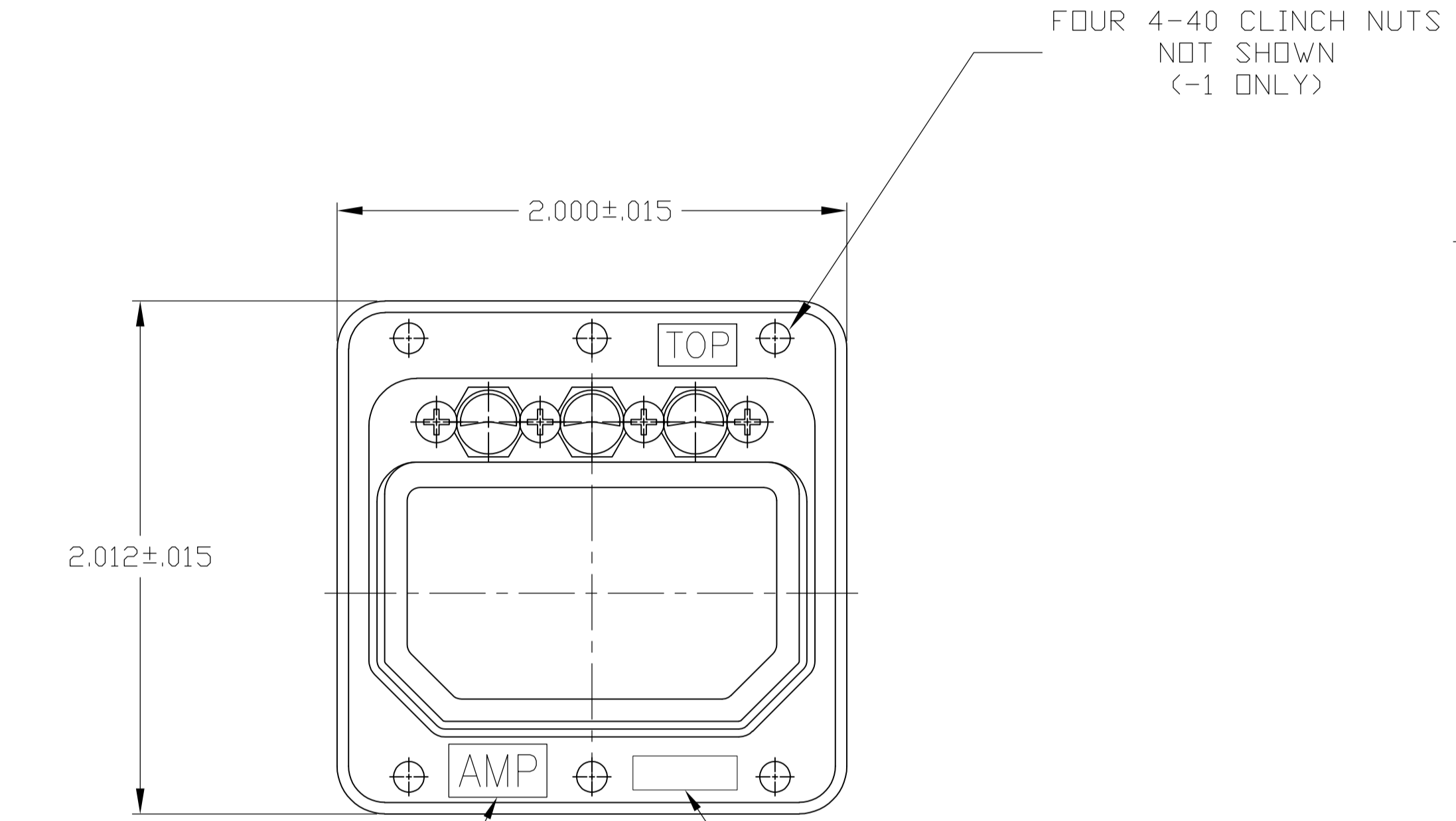
Tel: +86-755-8981 8866 Fax: +86-755-8427 6832

Email & Skype: info@chipsmall.com Web: www.chipsmall.com

Address: A1208, Overseas Decoration Building, #122 Zhenhua RD., Futian, Shenzhen, China



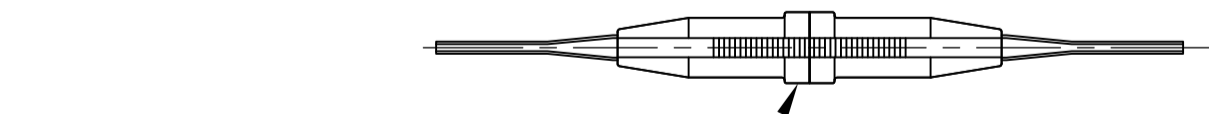
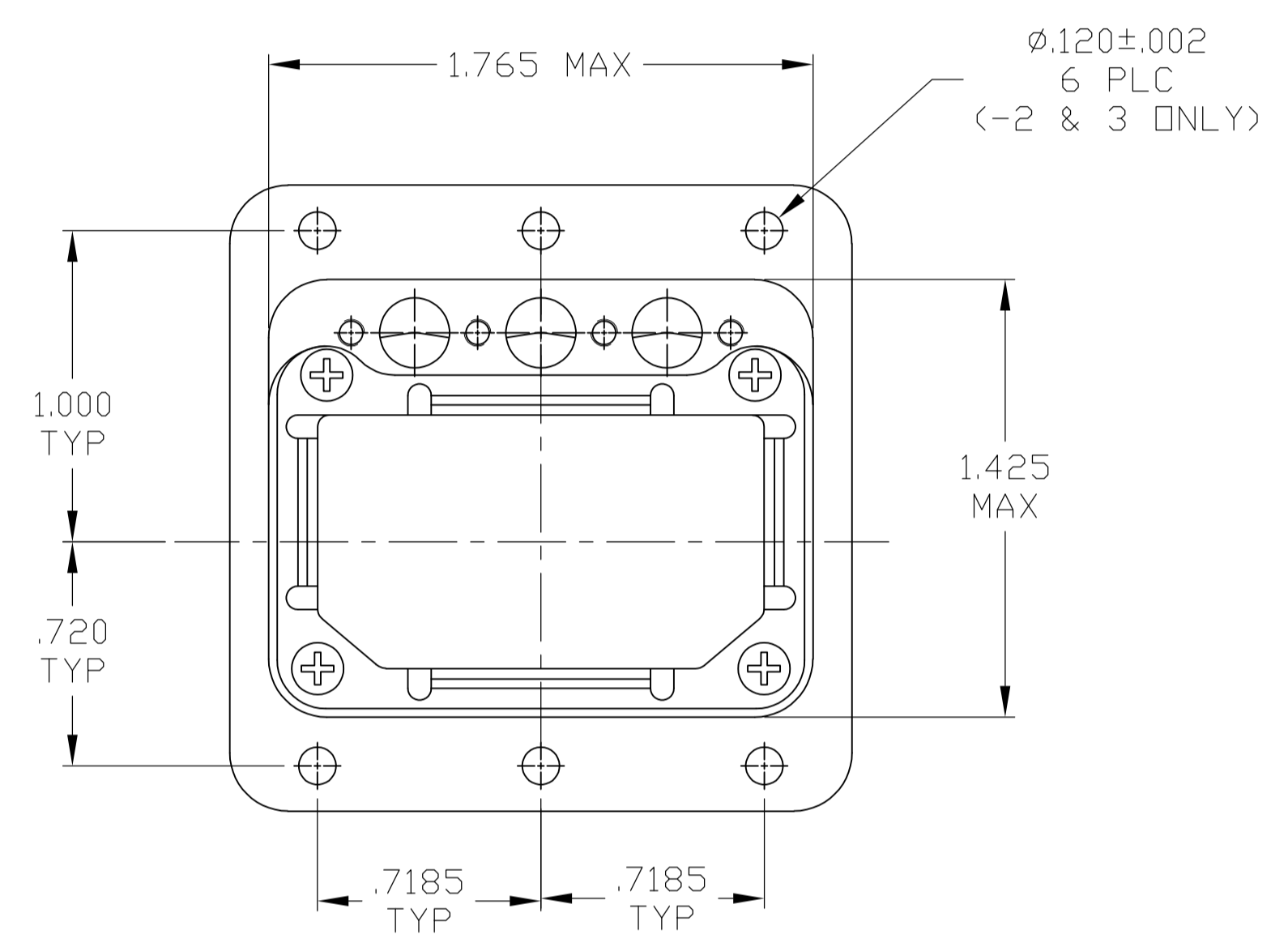
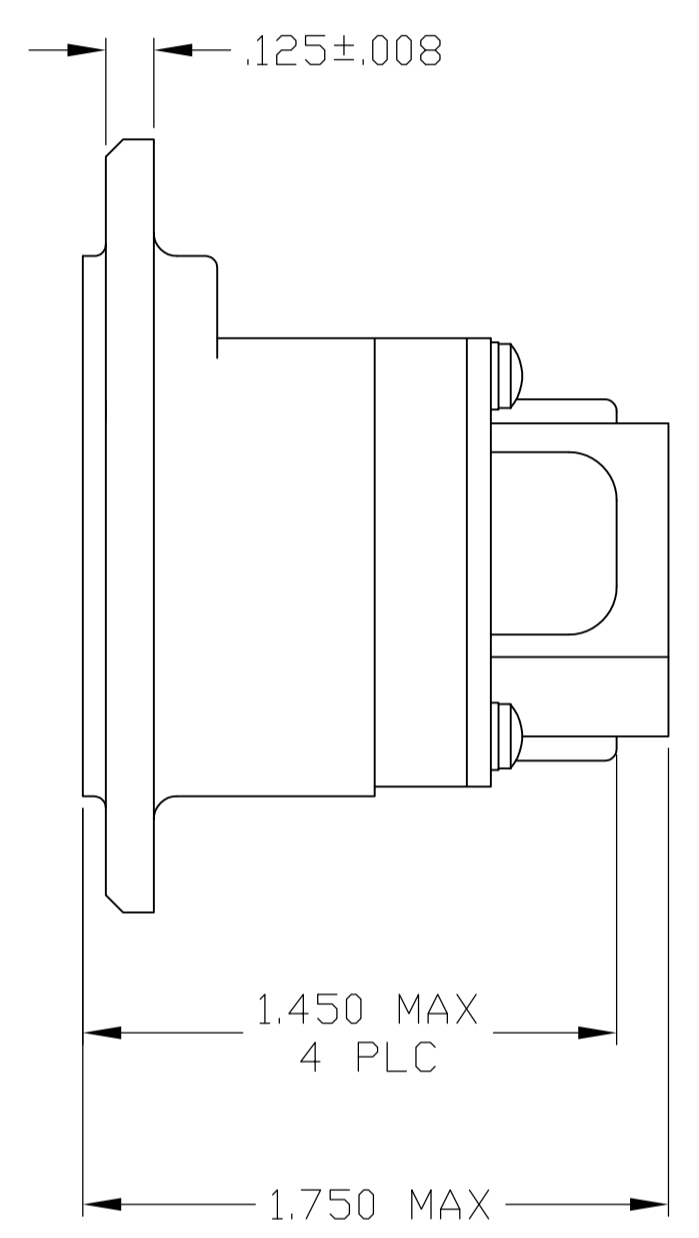
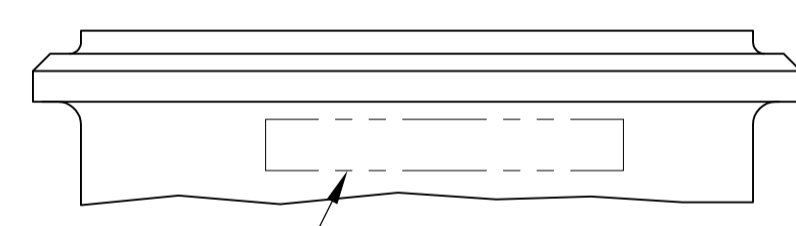
LOC		DIST		REVISIONS			
P	LTR	DESCRIPTION	DATE	DMN	APVD		
C		REV PER ECO 10-010829	6-28-10	CT	DE		



INK STAMPED LETTERS .047 MIN HIGH

DATE CODE CHARACTERS .047 MIN HIGH

TE PART NO. & DESCRIPTIVE NUMBER. MARKED IN THIS AREA



INS/EXT TOOL SUPPLIED WITH -2 & -3 ONLY

RME1R 40P - 00 01 (200)	213440-3
RME1R 33C4P - 00 01 (200)	213440-2
RME1R 8P - 01 01 (200)	213440-1
DESCRIPTIVE PART NO.	PART NO.

THIS DRAWING IS A CONTROLLED DOCUMENT.		DIN C.C.THOMAS 6-28-10		Tyco Electronics Corporation Harrisburg, PA 17105-3608																																	
DIMENSIONS: INCHES		TOLERANCES UNLESS OTHERWISE SPECIFIED:		APVD D.FABY 6-28-10																																	
<table border="1"> <tr><td>0 PLC</td><td>±</td><td>-</td></tr> <tr><td>1 PLC</td><td>±</td><td>-</td></tr> <tr><td>2 PLC</td><td>±</td><td>-</td></tr> <tr><td>3 PLC</td><td>±</td><td>.005</td></tr> <tr><td>4 PLC</td><td>±</td><td>.0005</td></tr> <tr><td>ANGLES</td><td>±</td><td>0°30'</td></tr> </table>		0 PLC	±	-	1 PLC	±	-	2 PLC	±	-	3 PLC	±	.005	4 PLC	±	.0005	ANGLES	±	0°30'	<table border="1"> <tr><td>NAME</td><td>RECEPTACLE CONNECTOR KIT SINGLE INSERT, ARINC 404 RME1R SERIES</td></tr> <tr><td>APPLICATION SPEC</td><td></td></tr> <tr><td>WEIGHT</td><td></td></tr> </table>		NAME	RECEPTACLE CONNECTOR KIT SINGLE INSERT, ARINC 404 RME1R SERIES	APPLICATION SPEC		WEIGHT		<table border="1"> <tr><td>SIZE</td><td>A1</td></tr> <tr><td>CAGE CODE</td><td>00779</td></tr> <tr><td>DRAWING NO.</td><td>213440</td></tr> <tr><td>RESTRICTED TO</td><td></td></tr> </table>		SIZE	A1	CAGE CODE	00779	DRAWING NO.	213440	RESTRICTED TO	
0 PLC	±	-																																			
1 PLC	±	-																																			
2 PLC	±	-																																			
3 PLC	±	.005																																			
4 PLC	±	.0005																																			
ANGLES	±	0°30'																																			
NAME	RECEPTACLE CONNECTOR KIT SINGLE INSERT, ARINC 404 RME1R SERIES																																				
APPLICATION SPEC																																					
WEIGHT																																					
SIZE	A1																																				
CAGE CODE	00779																																				
DRAWING NO.	213440																																				
RESTRICTED TO																																					
MATERIAL SEE TABLE		FINISH SEE TABLE		CUSTOMER DRAWING																																	
				SCALE 2:1 SHEET 1 OF 1 REV C																																	