



Chipsmall Limited consists of a professional team with an average of over 10 year of expertise in the distribution of electronic components. Based in Hongkong, we have already established firm and mutual-benefit business relationships with customers from,Europe,America and south Asia,supplying obsolete and hard-to-find components to meet their specific needs.

With the principle of “Quality Parts,Customers Priority,Honest Operation,and Considerate Service”,our business mainly focus on the distribution of electronic components. Line cards we deal with include Microchip,ALPS,ROHM,Xilinx,Pulse,ON,Everlight and Freescale. Main products comprise IC,Modules,Potentiometer,IC Socket,Relay,Connector.Our parts cover such applications as commercial,industrial, and automotives areas.

We are looking forward to setting up business relationship with you and hope to provide you with the best service and solution. Let us make a better world for our industry!



Contact us

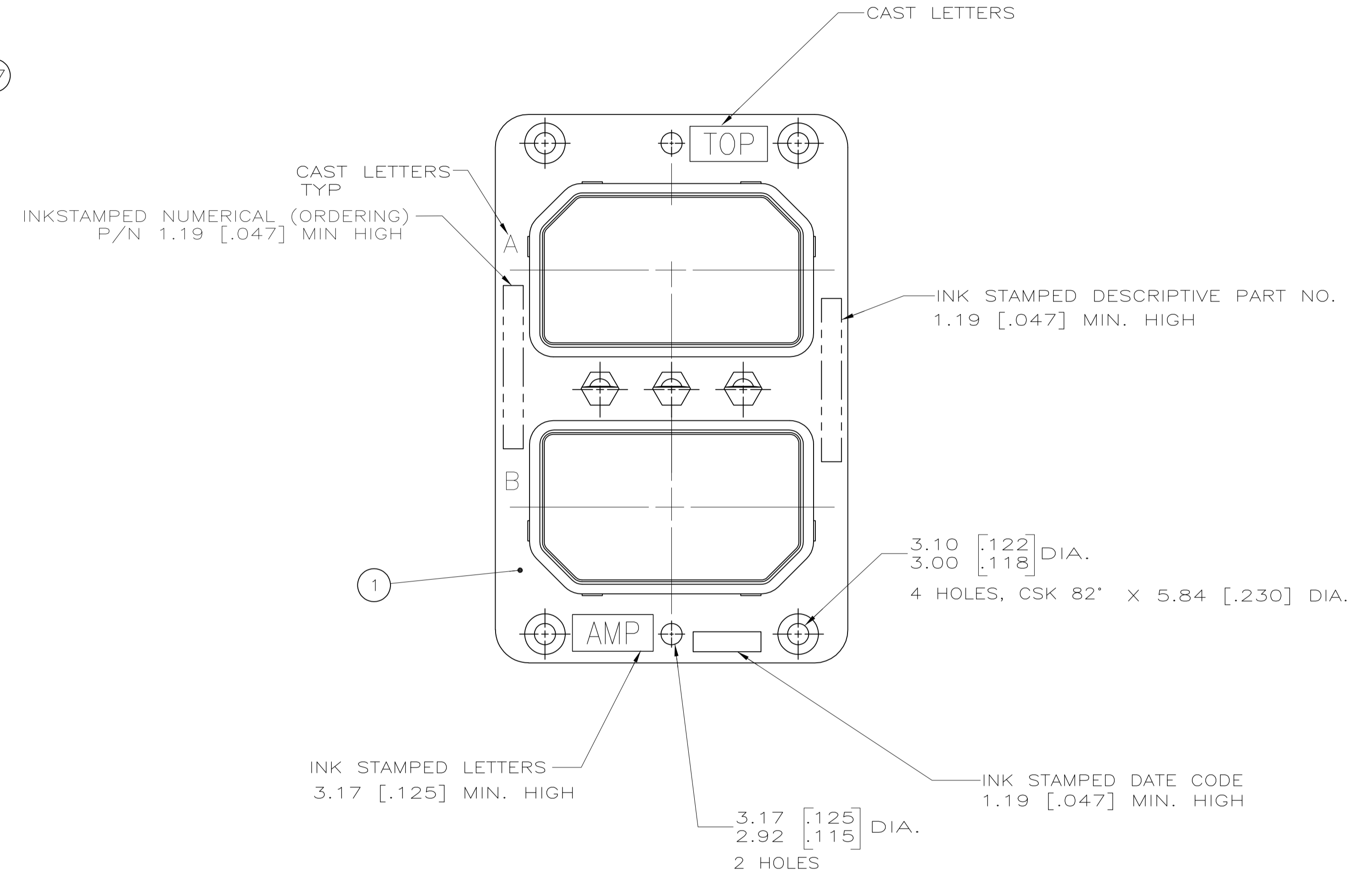
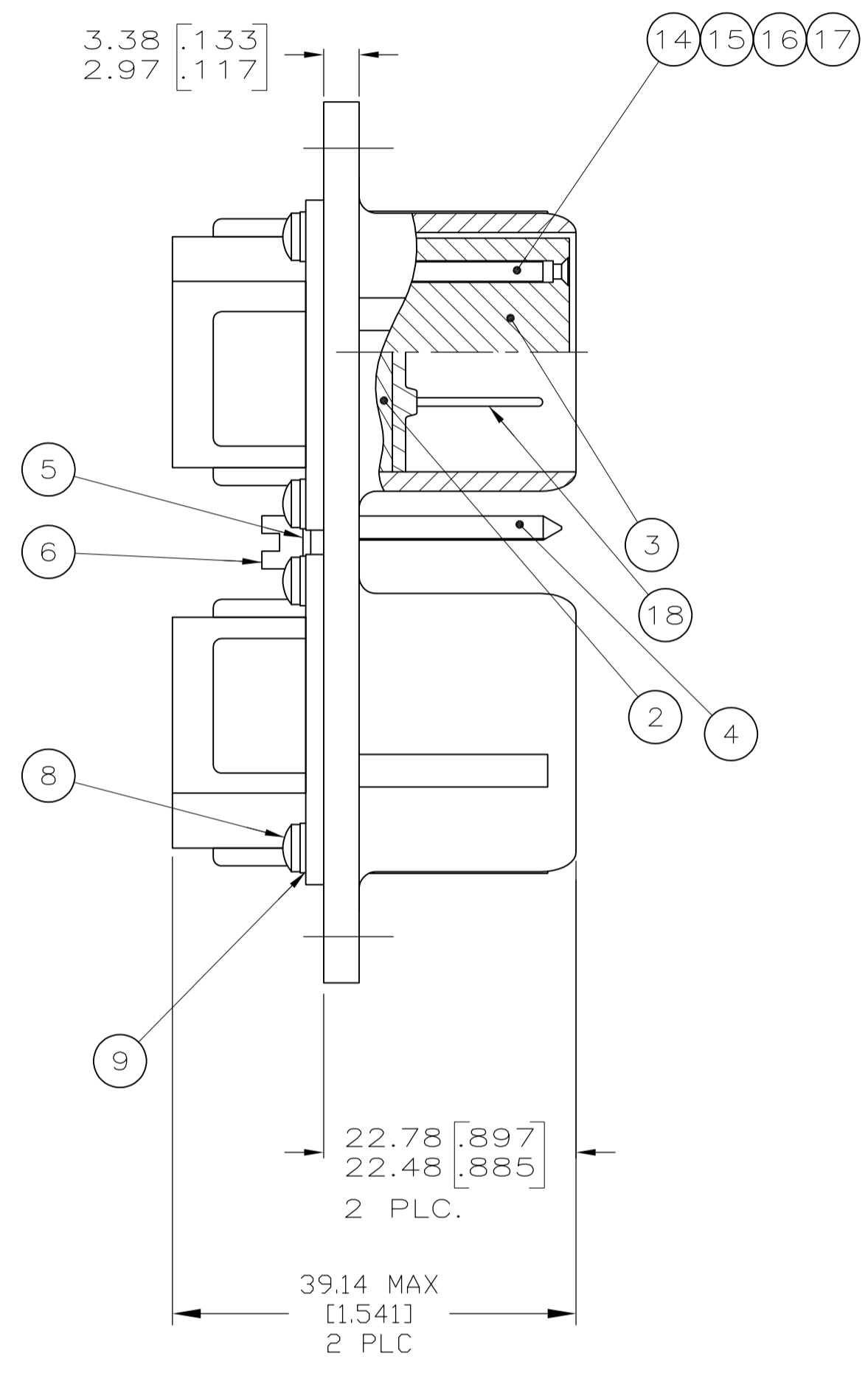
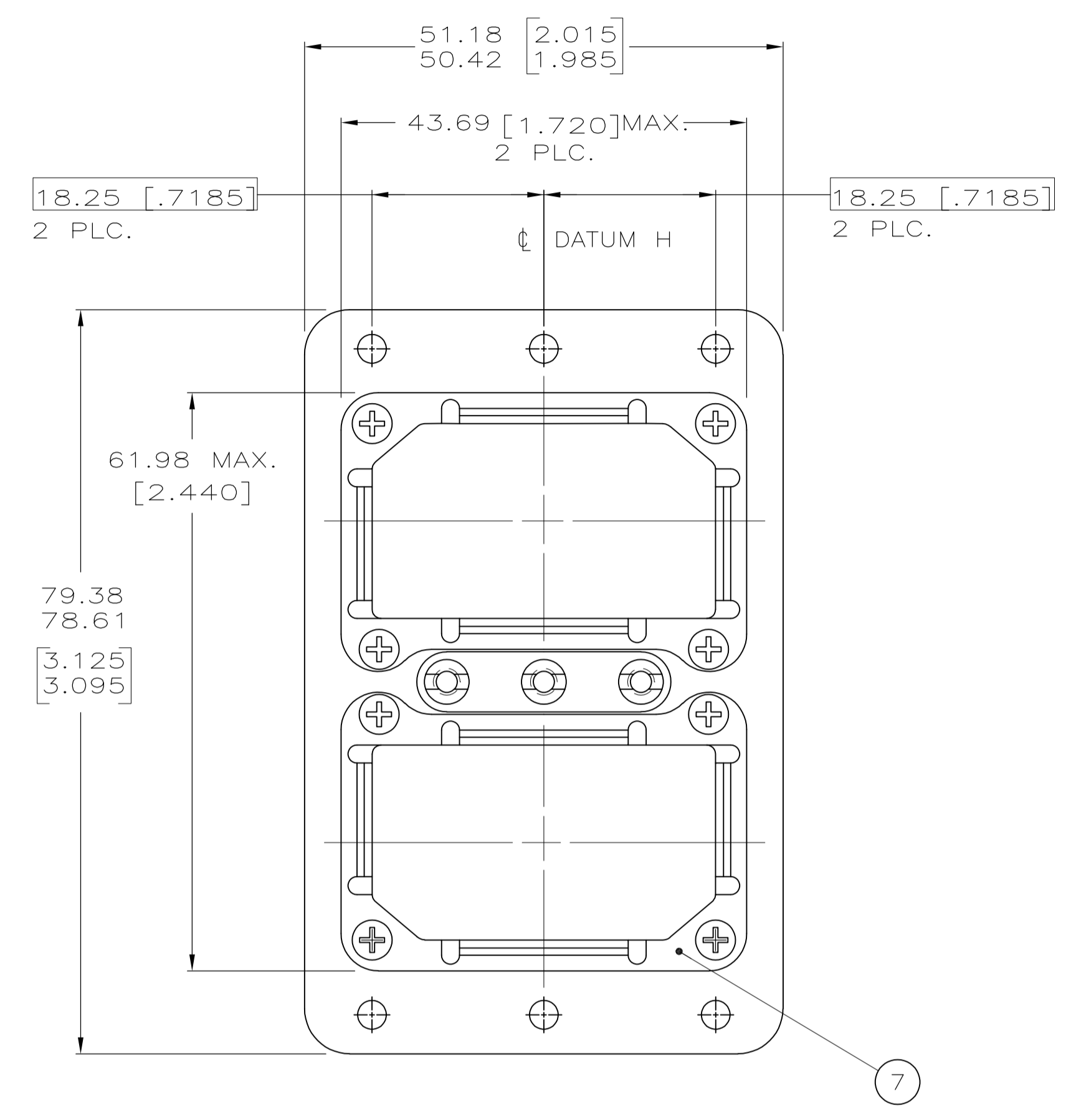
Tel: +86-755-8981 8866 Fax: +86-755-8427 6832

Email & Skype: info@chipsmall.com Web: www.chipsmall.com

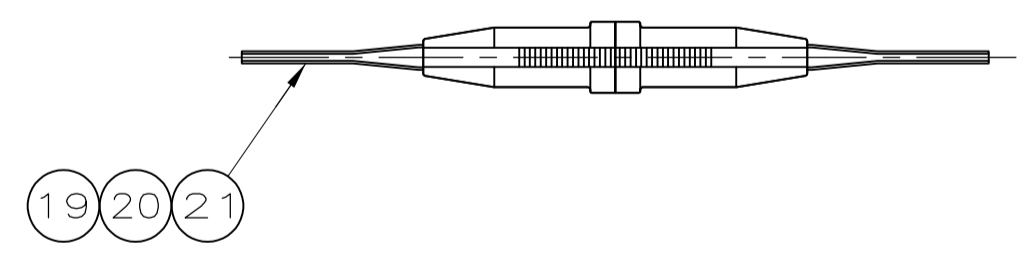
Address: A1208, Overseas Decoration Building, #122 Zhenhua RD., Futian, Shenzhen, China



LOC		DIST		REVISIONS			
P	LTR	DESCRIPTION	DATE	DMN	APVD		
D		REVISED PER ECO-15-011840	17NOV15	RS	CT		



- CONTACTS SHOWN LOADED FOR ILLUSTRATION ONLY; ARE INCLUDED IN A CONTAINER WITHIN CONNECTOR PACKAGE FOR SHIPMENT.
- FOR INSERT ARRANGEMENTS AND DIMENSIONS, SEE TABLES ON SHEET 2 OF 2.
- DIMENSIONS IN BRACKETS ARE IN INCHES.



METRIC

THIS DRAWING IS A CONTROLLED DOCUMENT.		DIN 3-11-87 MARK HOFFECKER		STE TE Connectivity	
DIMENSIONS: mm [INCHES]		TOLERANCES UNLESS OTHERWISE SPECIFIED:		NAME LARRY LAWNER	
0 PLC ± -		1 PLC ± -		PRODUCT SPEC	
2 PLC ± -		3 PLC ± -		APPLICATION SPEC	
4 PLC ± -		ANGLES ± 0°30'		SIZE CAGE CODE DRAWING NO	
MATERIAL SEE TABLE		FINISH SEE TABLE		WEIGHT	
				A1 00779 C=213441	
				CUSTOMER DRAWING	
				SCALE 2:1 SHEET 1 OF 2 REV D	

LOC		DIST		REVISIONS			
P	LTR	DESCRIPTION	DATE	DNW	APVD		
-	-	SEE SHEET #1	-	-	-		

OBSOLETE

QTY	UNIT	DESCRIPTION	ITEM NO
00 01	(204)	CUSTOMER ORDERING CODE, SEE DRAWING 205102	
00 01	(200)	KEYING CODE, SEE DRAWING 204014	
03 01	(200)	MODIFICATION CODE, SEE DRAWING 205100	
106S	106S	INSERT B	
106P	106P	INSERT A	
106S	106S		
106P	106P		
67S	67S		
67S	67S		
67S	67S		
67S	67S		
4		CLINCH NUT - STEEL; PL CADMIUM	22
1	1	91066-1 INSERT/EXTRACT TOOL, SIZE 22 - ACETAL/BE CU; PL NICKEL	21
1	1	91066-4 INSERT/EXTRACT TOOL, SIZE 20 - ACETAL/BE CU; PL NICKEL	20
1	1	91066-3 INSERT/EXTRACT TOOL, SIZE 16 - ACETAL/BE CU; PL NICKEL	19
212	212	204873-4 PIN CONT, SIZE 22 - LEADED COPPER; PL GOLD OVER NICKEL	18
219	212	205103-3 SKT CONT ASSY,SIZE 22 - LEADED COPPER; PL GOLD OVER NICKEL	17
128	128	205116-1 SKT CONT ASSY,SIZE 20 - LEADED COPPER; PL GOLD OVER NICKEL	16
6	6	205117-1 SKT CONT ASSY,SIZE 16 - LEADED COPPER; PL GOLD OVER NICKEL	15
4	4	205851-2 SKT CONT ASSY,SIZE 12 - LEADED COPPER; PL GOLD OVER NICKEL	14
32	32	204760-1 SEALING PLUG, SIZE 22 - FLUOROPOLYMER; WHITE	13
20	20	203839-1 SEALING PLUG, SIZE 20 - FLUOROPOLYMER; RED	12
2	2	203839-2 SEALING PLUG, SIZE 16 - FLUOROPOLYMER; BLUE	11
1	1	205574-1 SEALING PLUG, SIZE 12 - FLUOROPOLYMER; YELLOW	10
8	8	LOCKWASHER - STAINLESS STEEL; PASSIVATED	9
8	8	MACHINE SCREW - STAINLESS STEEL; PASSIVATED	8
2	2	GROMMET PROTECTOR - ALUMINUM; ANODIZED BLUE	7
3	3	POLARIZING POST NUT - BRASS; PL CADMIUM, YELLOW CHROMATE	6
3	3	LOCKWASHER - STAINLESS STEEL; PASSIVATED	5
3	3	POLARIZING POST - STAINLESS STEEL; PASSIVATED	4
2	2	SOCKET INSERT ASSEMBLY - EPOXY; BLACK	3
2	2	PIN INSERT ASSEMBLY - EPOXY; BLACK	2
1	1	SHELL - ALUMINUM; PL CADMIUM, YELLOW CHROMATE	1

THIS DRAWING IS A CONTROLLED DOCUMENT.		DIN 3-11-87 MARK HOFFECKER		TE Connectivity	
DIMENSIONS: mm [INCHES]		TOLERANCES UNLESS OTHERWISE SPECIFIED:		CHK LARRY LAWNER 3-11-87 APVD - NAME	
0 PLC ± - 1 PLC ± - 2 PLC ± - 3 PLC ± - 4 PLC ± - ANGLES ± 0'30"		PRODUCT SPEC APPLICATION SPEC		PLUG CONNECTOR KIT,ARINC 404, DUAL INSERT	
MATERIAL SEE TABLE		FINISH SEE TABLE		SIZE CASE CODE DRAWING NO A1 00779 C=213441	
		WEIGHT -		RESTRICTED TO	
		CUSTOMER DRAWING		SCALE 2:1 SHEET 2 OF 2 REV D	