



Chipsmall Limited consists of a professional team with an average of over 10 year of expertise in the distribution of electronic components. Based in Hongkong, we have already established firm and mutual-benefit business relationships with customers from,Europe,America and south Asia,supplying obsolete and hard-to-find components to meet their specific needs.

With the principle of “Quality Parts,Customers Priority,Honest Operation,and Considerate Service”,our business mainly focus on the distribution of electronic components. Line cards we deal with include Microchip,ALPS,ROHM,Xilinx,Pulse,ON,Everlight and Freescale. Main products comprise IC,Modules,Potentiometer,IC Socket,Relay,Connector.Our parts cover such applications as commercial,industrial, and automotives areas.

We are looking forward to setting up business relationship with you and hope to provide you with the best service and solution. Let us make a better world for our industry!



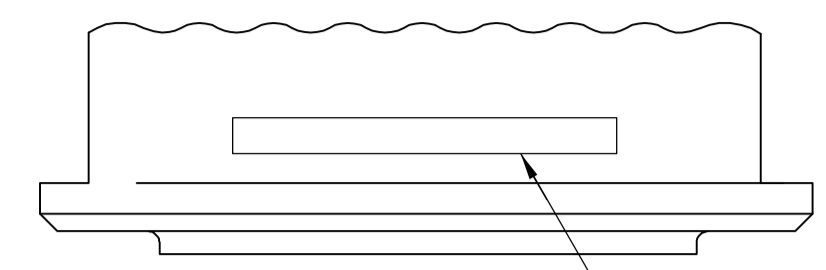
Contact us

Tel: +86-755-8981 8866 Fax: +86-755-8427 6832

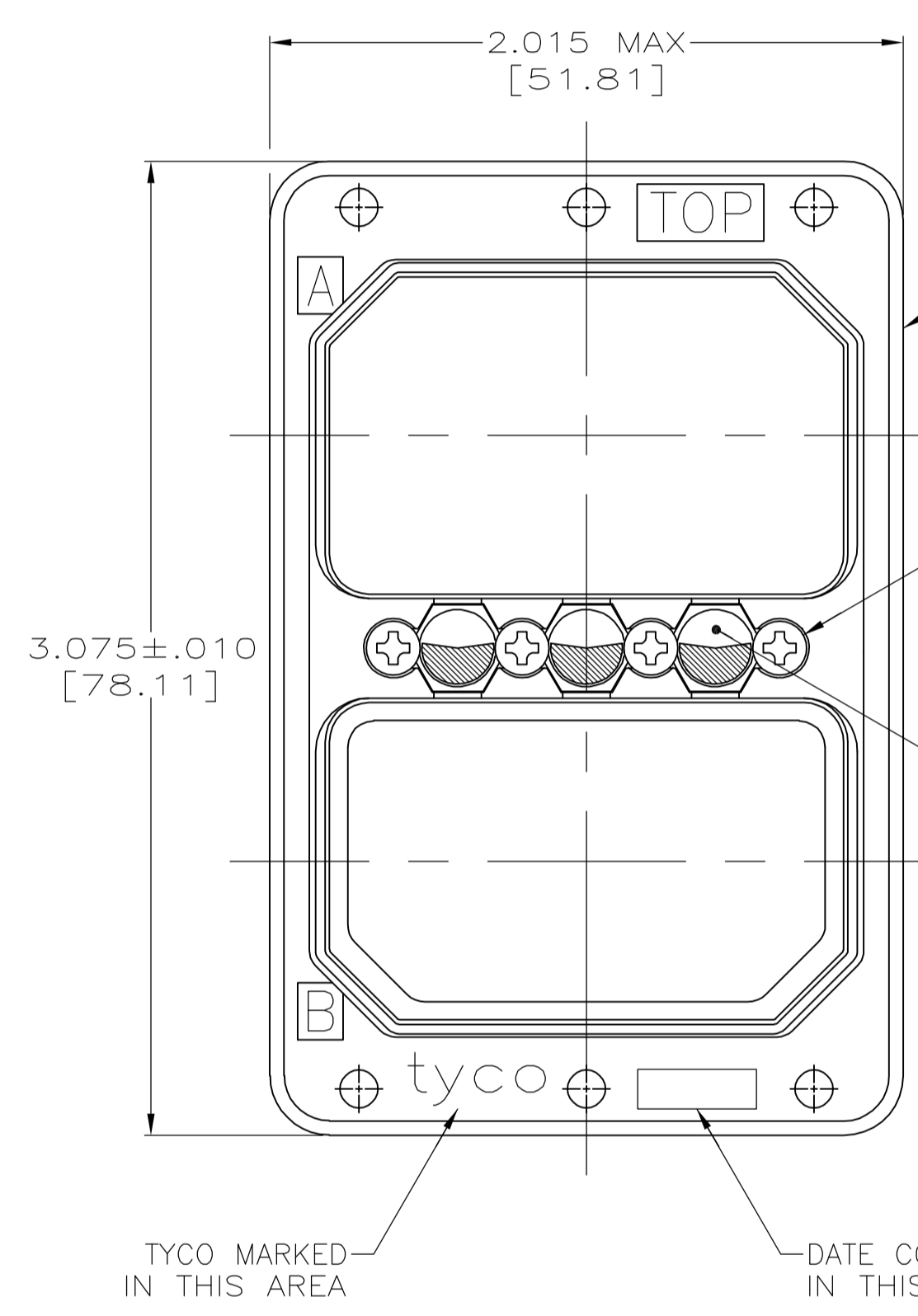
Email & Skype: info@chipsmall.com Web: www.chipsmall.com

Address: A1208, Overseas Decoration Building, #122 Zhenhua RD., Futian, Shenzhen, China





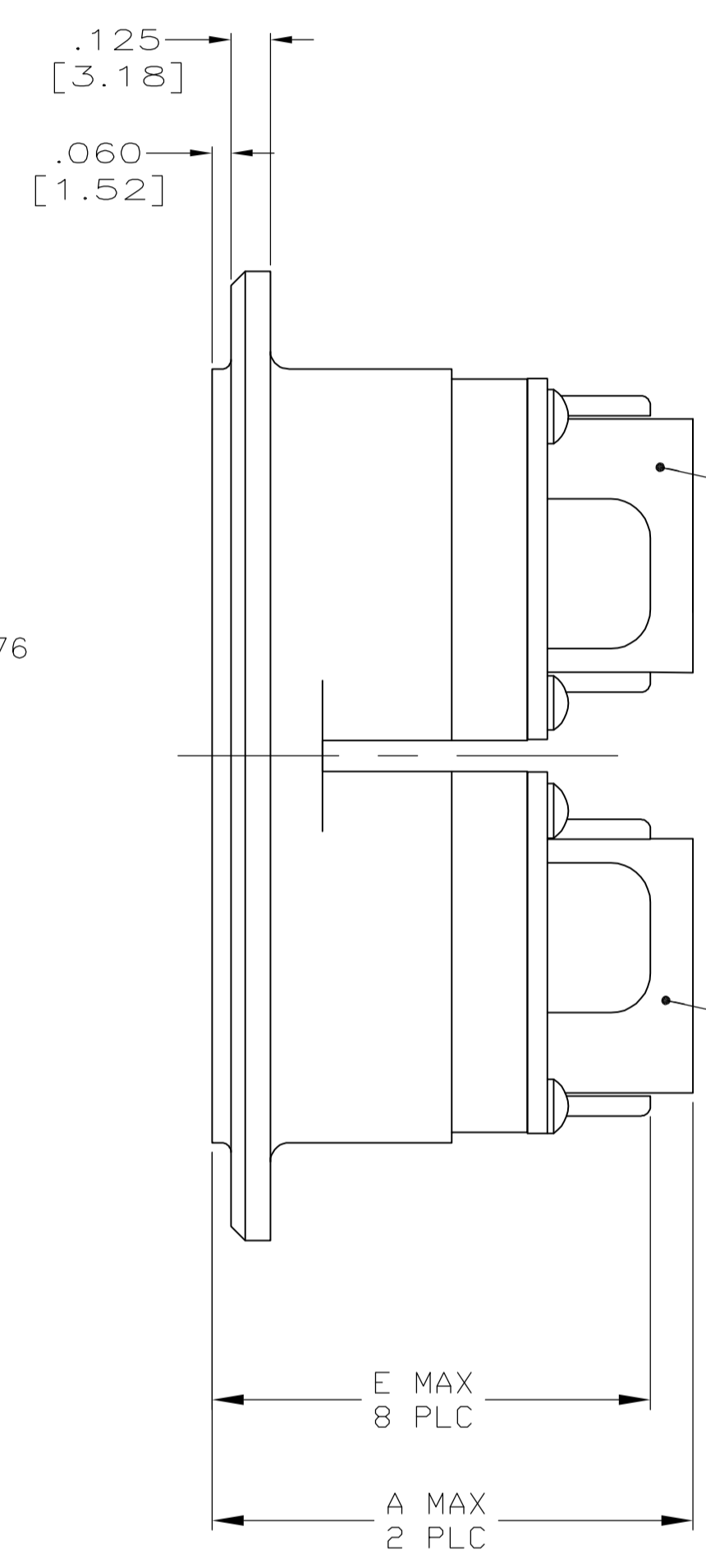
TYCO PART NUMBER & DESCRIPTIVE NO. MARKED IN THIS AREA



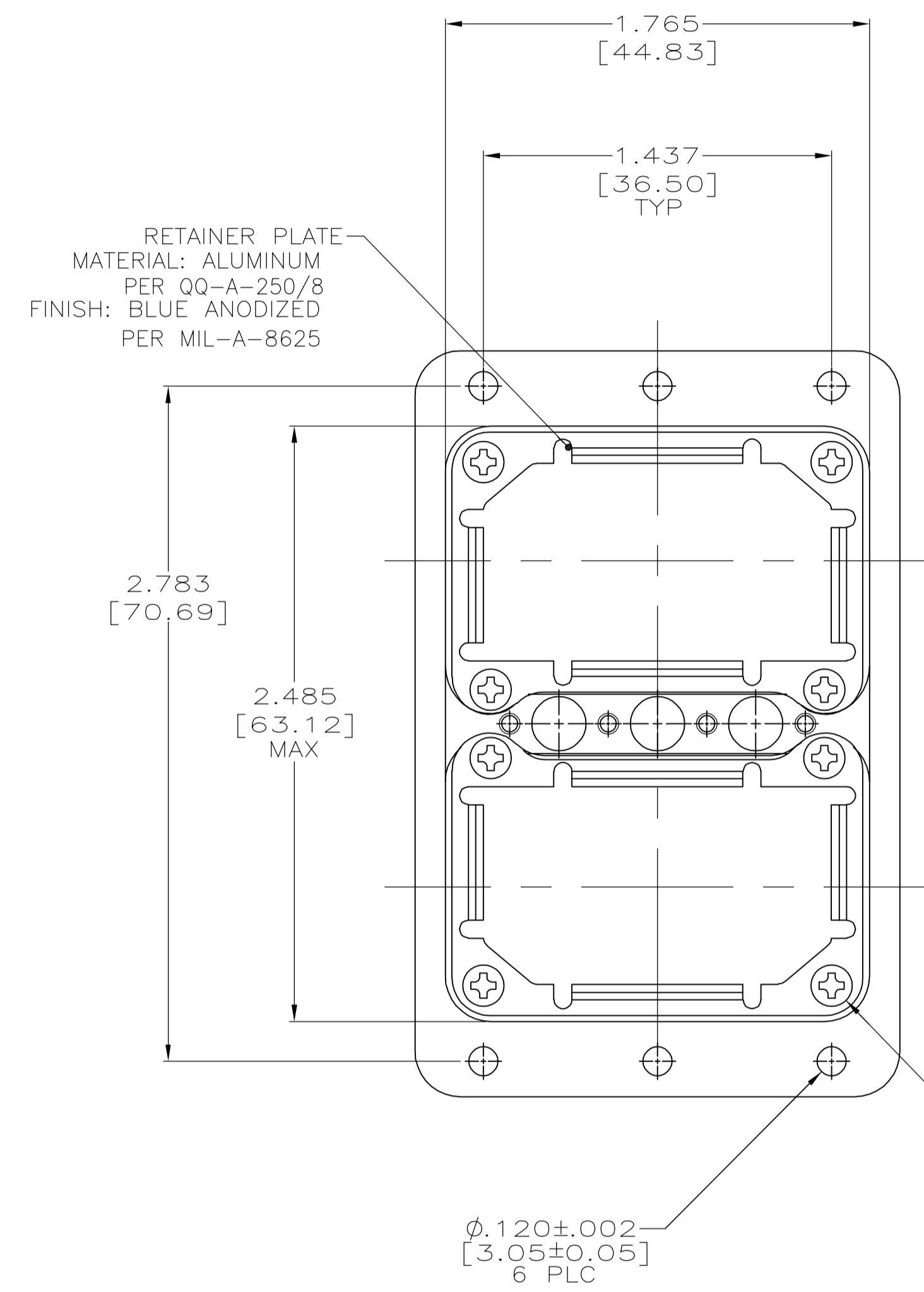
RECEPTACLE SHELL
 MATERIAL: ALUMINUM PER QQ-A-591
 FINISH: CADMIUM PLATED PER QQ-P-416
 COLOR: YELLOW CHROMATE

SCREW, 4 REQUIRED
 MATERIAL: STAINLESS STEEL PER QQ-S-776
 FINISH: PASSIVATED PER QQ-P-358

KEYING INSERT, 3 REQUIRED
 MATERIAL: ALUMINUM PER QQ-A-200
 FINISH: CADMIUM PLATED PER QQ-P-416
 YELLOW CHROMATE

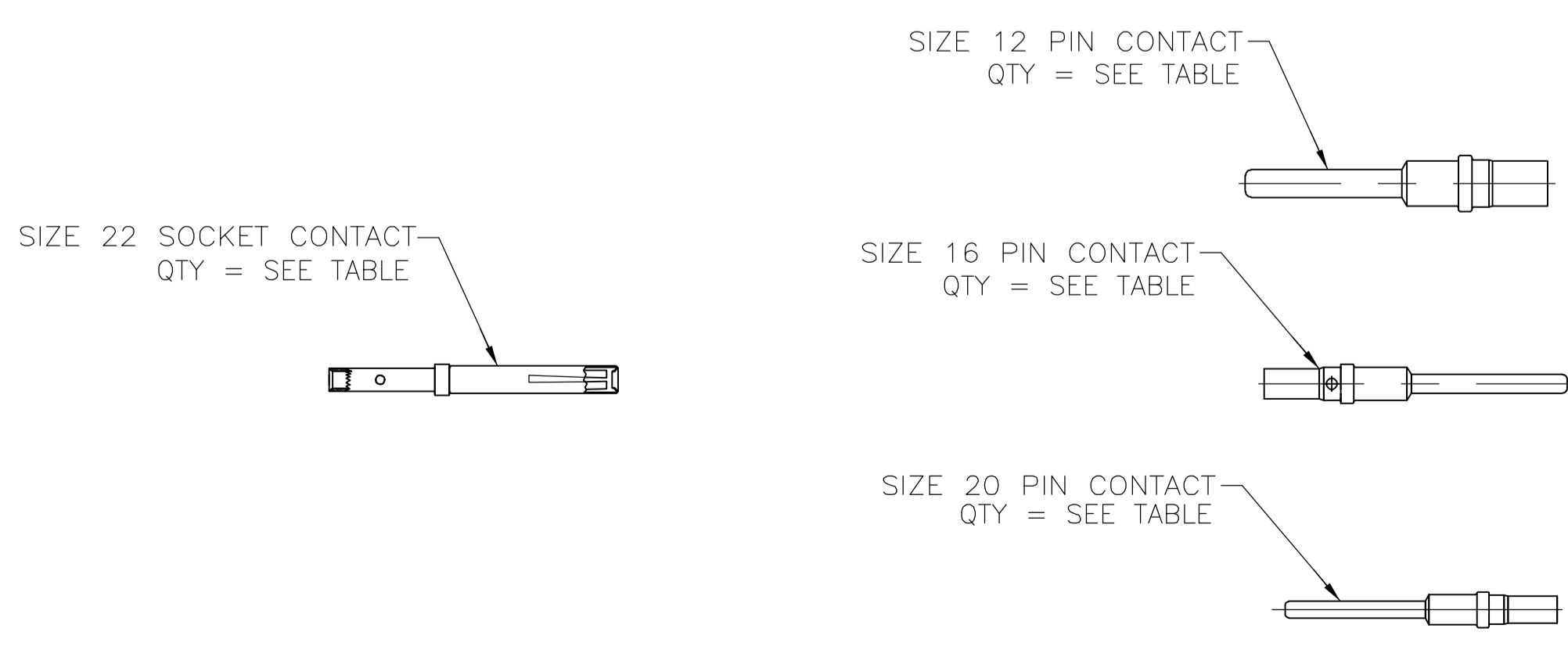
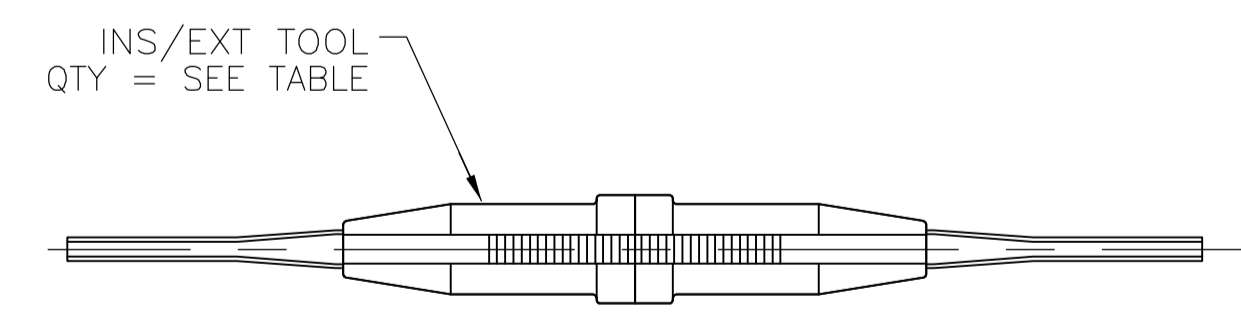


INSERT ASSY
 SEE TABLE FOR MATERIAL & SIZE



RETAINER PLATE
 MATERIAL: ALUMINUM
 PER QQ-A-250/8
 FINISH: BLUE ANODIZED
 PER MIL-A-8625

SCREW & LOCKWASHER (QTY=8)
 MATERIAL: STAINLESS STEEL
 PER QQ-S-766
 FINISH: PASSIVATED
 PER QQ-P-358



KEYING IS SET IN POSITION "01".
 2. CONTACTS ARE PACKAGED SEPARATELY AND SHIPPED WITH CONNECTOR. 213442-2 ONLY

THIS DRAWING IS A CONTROLLED DOCUMENT.		DW	C.C.THOMAS	8-22-05	Tyco Electronics Corporation Harrisburg, Pa 17105-3608
DIMENSIONS: INCHES		CHK	D.FABY	8-22-05	
TOLERANCES UNLESS OTHERWISE SPECIFIED:		APVD	D.FABY	8-22-05	NAME
0 PLC ± -	1 PLC ± -	PRODUCT SPEC		ASSEMBLY, ARINC 404 RECEPTACLE	
2 PLC ± -	3 PLC ± .005 [0.13]	APPLICATION SPEC		-	
4 PLC ± -	ANGLES ± -	SIZE	A1	CAGE CODE	00779
MATERIAL SEE CALLOUTS		FINISH	SEE CALLOUTS	DRAWING NO	213442
		WEIGHT	-	RESTRICTED TO	-
		CUSTOMER DRAWING		SCALE	2:1
				SHEET	1 OF 2
				REV	D

57P	106S	106S	106S	106S	67P	40P	INSERT A
57P	106S	106S	106S	33C4P	D8P	8P	INSERT B
00	01	23	01	00	01	01	MODIFICATION CODE, SEE DRAWING 205100
00	01	01	01	00	01	01	KEYING CODE, SEE DRAWING 204014
00	01	01	01	00	01	01	CUSTOMER ORDERING CODE, SEE DRAWING 205102
114					64		204938-3 PIN CONT, SIZE 20 - LEADED COPPER; PL GOLD OVER NICKEL
					7		204978-3 PIN CONT, SIZE 16 - LEADED COPPER; PL GOLD OVER NICKEL
					4		205763-3 PIN CONT, SIZE 12 - LEADED COPPER; PL GOLD OVER NICKEL
					10		203839-1 SEALING PLUG, SIZE 20 - FLUDROPOLYMER; RED
					2		203839-2 SEALING PLUG, SIZE 16 - FLUDROPOLYMER; BLUE
					1		205574-1 SEALING PLUG, SIZE 12 - FLUDROPOLYMER; YELLOW
8	8	8	8	8	8	8	LOCKWASHER - STAINLESS STEEL; PASSIVATED
8	8	8	8	8	8	8	MACHINE SCREW - STAINLESS STEEL; PASSIVATED
2	2	2	2	2	2	2	GROMMET PROTECTOR - ALUMINUM; ANODIZED BLUE
4	4	4	4	4	4	4	FLATHEAD SCREW - STAINLESS STEEL; PASSIVATED
3	3	3	3	3	3	3	KEYING INSERT - ALUMINUM; PL CADMIUM, YELLOW CHROMATE
	2		2	1			SOCKET INSERT ASSEMBLY - EPOXY; BLACK
2		2		1	2	2	PIN INSERT ASSEMBLY - EPOXY; BLACK
1	1	1	1	1	1	1	SHELL - ALUMINUM; PL CADMIUM, YELLOW CHROMATE
-7	-6	-5	-4	-3	-2	-1	PART NO
							DESCRIPTION
							205103-3 SOCKET CONTACT (SIZE 22)
							WASHER - STAINLESS STEEL; PASSIVATED
							ALIGNMENT BUSHING - STAINLESS STEEL; PASSIVATED
						4	CLINCH NUT - STEEL; PL CADMIUM
					1		91066-4 INSERT/EXTRACT TOOL, SIZE 20 - ACETAL/BE CU; PL NICKEL
					1		91066-3 INSERT/EXTRACT TOOL, SIZE 16 - ACETAL/BE CU; PL NICKEL

		INSERT ARRANGEMENT													
		C2	C3	8	C8	D8	26	32C2	33C4	40	40C1	45	57	67	106
A DIM.				38.74 [1.525]		38.74 [1.525]			38.74 [1.525]	38.74 [1.525]				38.74 [1.525]	32.49 [1.279]
E DIM.				36.83 [1.450]		36.83 [1.450]			36.83 [1.450]	36.83 [1.450]				36.83 [1.450]	31.24 [1.230]

THIS DRAWING IS A CONTROLLED DOCUMENT.

DIMENSIONS: INCHES	TOLERANCES UNLESS OTHERWISE SPECIFIED:	DWN: MARK HOFFECKER 3-11-87	CK: LARRY LAWNER 3-11-87	tyco Electronics Tyco Electronics Corporation Harrisburg, Pa 17105-3608
	0 PLC ± - 1 PLC ± - 2 PLC ± - 3 PLC ± - 4 PLC ± - ANGLES ± -	APVD: E. HOWARD 3-11-87	NAME: E. HOWARD	RECEPTACLE CONNECTOR KIT, ARINC 404, DUAL INSERT RME2R SERIES
MATERIAL: SEE TABLE	FINISH: SEE TABLE	WEIGHT: -	SIZE: A1	CAGE CODE: 00779
			DRAWING NO: 213442	RESTRICTED TO: -
			CUSTOMER DRAWING	SCALE: 1:1 SHEET 2 OF 2 REV D