



Chipsmall Limited consists of a professional team with an average of over 10 year of expertise in the distribution of electronic components. Based in Hongkong, we have already established firm and mutual-benefit business relationships with customers from,Europe,America and south Asia,supplying obsolete and hard-to-find components to meet their specific needs.

With the principle of “Quality Parts,Customers Priority,Honest Operation,and Considerate Service”,our business mainly focus on the distribution of electronic components. Line cards we deal with include Microchip,ALPS,ROHM,Xilinx,Pulse,ON,Everlight and Freescale. Main products comprise IC,Modules,Potentiometer,IC Socket,Relay,Connector.Our parts cover such applications as commercial,industrial, and automotives areas.

We are looking forward to setting up business relationship with you and hope to provide you with the best service and solution. Let us make a better world for our industry!



Contact us

Tel: +86-755-8981 8866 Fax: +86-755-8427 6832

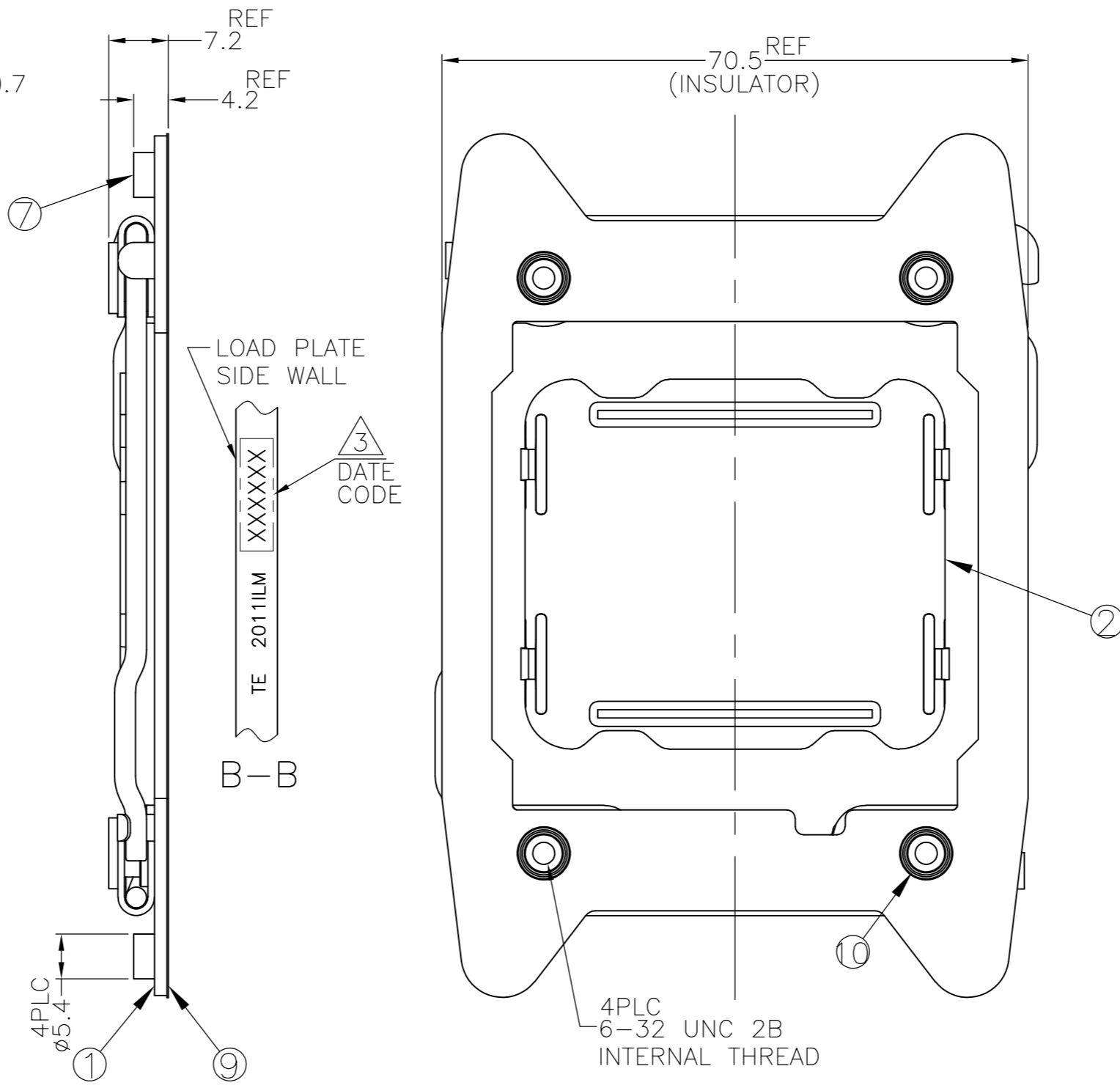
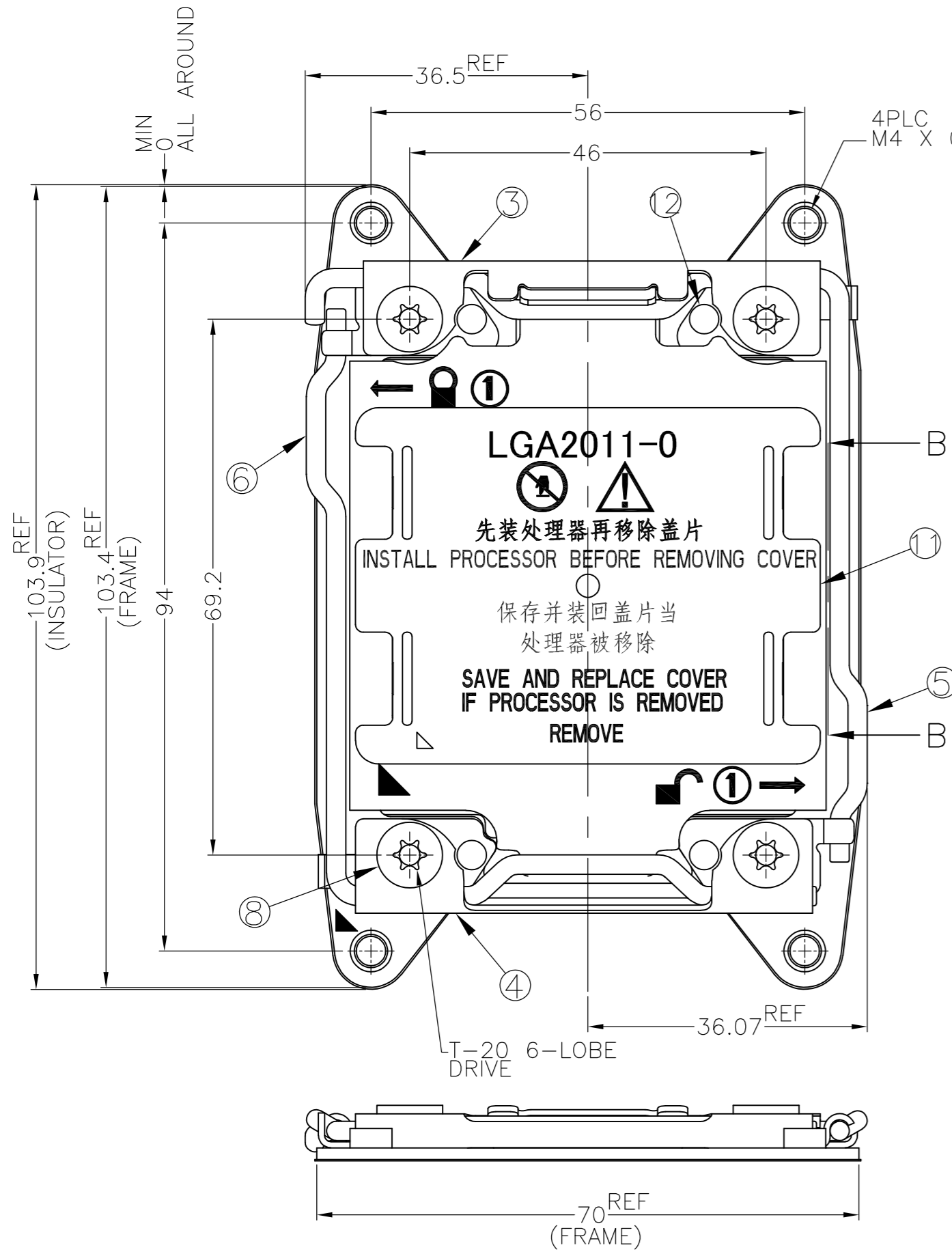
Email & Skype: info@chipsmall.com Web: www.chipsmall.com

Address: A1208, Overseas Decoration Building, #122 Zhenhua RD., Futian, Shenzhen, China



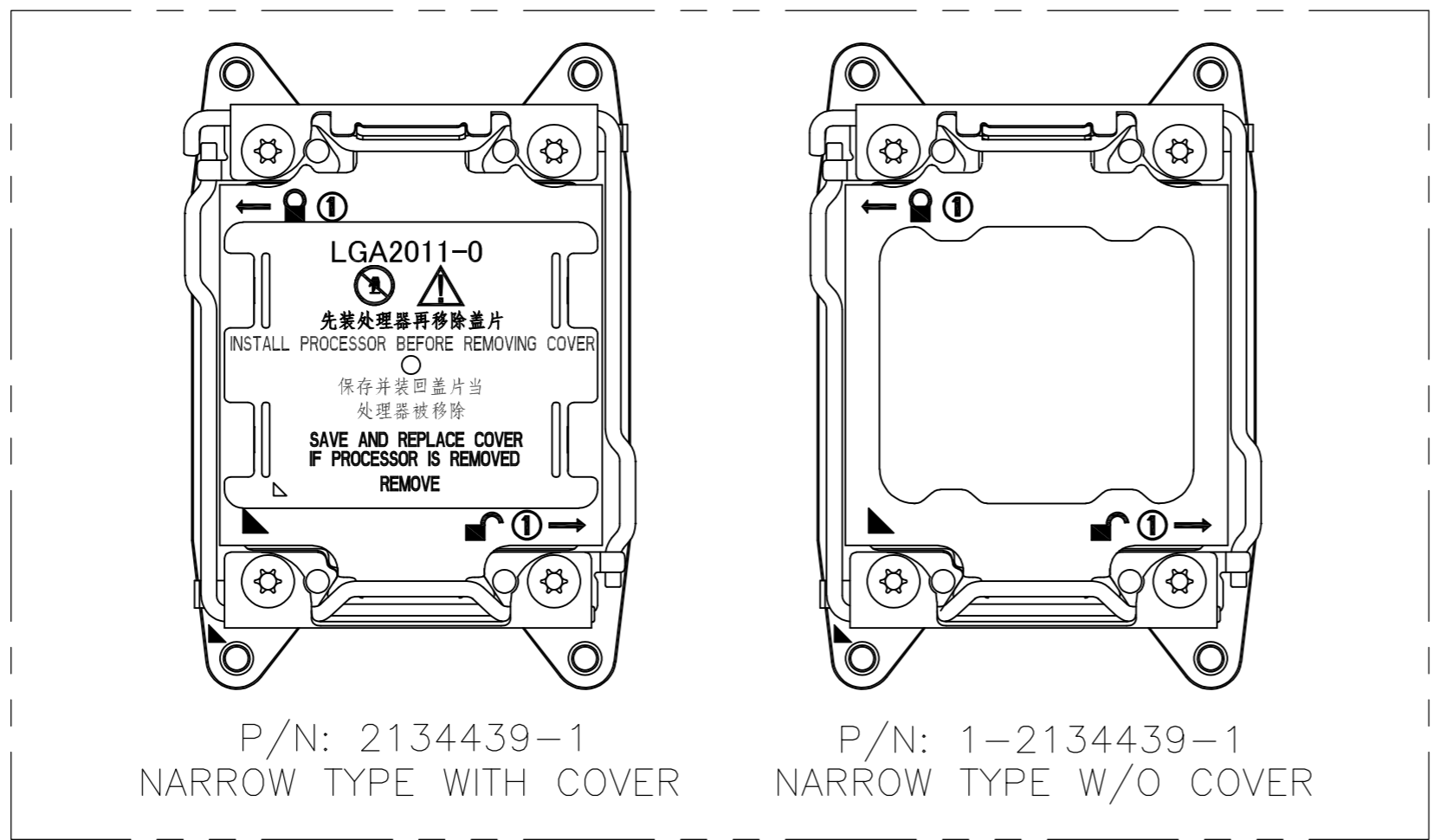
THIS DRAWING IS UNPUBLISHED. RELEASED FOR PUBLICATION APR , 2011.
 © COPYRIGHT 2011 By Tyco Electronics Japan G.K. ALL RIGHTS RESERVED.

| LOC | DIST | REVISONS | | | | |
|-----|------|----------|---------|----------|-----|------|
| | | P | LTR | DATE | DWN | APVD |
| J | - | E | REVISED | 28JUN'12 | J.C | T.N |



- MATERIAL
 - ① FRAME: STAINLESS STEEL
 - ② LOAD PLATE: STAINLESS STEEL
 - ③ HINGE CLEVIS: STAINLESS STEEL
 - ④ ACTIVE CLEVIS: STAINLESS STEEL
 - ⑤ HINGE LEVER: STAINLESS STEEL, 2.5 DIA
 - ⑥ ACTIVE LEVER: STAINLESS STEEL, 2.5 DIA
 - ⑦ HS STUD: STAINLESS STEEL
 - ⑧ CAPTIVE NUT: CARBON STEEL, FINISH: NI PLATING
 - ⑨ INSULATOR: POLYCARBONATE FILM PLUS ACRYLIC ADHESIVE LAYER
 - ⑩ CAPTIVE NUT COLLAR: CARBON STEEL, FINISH: NI PLATING
 - ⑪ DUST COVER: THERMO-PLASTIC, UL94V-0, BLACK
 - ⑫ RIVET: STAINLESS STEEL
2. APPLICABLE SOCKET P/N: 1554653 SERIES
 - ③ INDICATED DATE CODE ON THE LOAD PLATE
 - ④ DO NOT OPEN WITH FORCE FROM OPEN END

P/N: 2134439-1 AS SHOWN
(NARROW TYPE WITH COVER)



| WEIGHT(g) | DESCRIPTION | PART NO. |
|-----------|---|-------------|
| 82.9 | WIDE TYPE WITH COVER AND LABEL, W/O HS STUD | 2134439-4 |
| 84.4 | WIDE TYPE WITH COVER AND LABEL | 2134439-3 |
| 80.5 | WIDE TYPE W/O COVER | 1-2134439-2 |
| 84.0 | WIDE TYPE WITH COVER | 2134439-2 |
| 78.5 | NARROW TYPE W/O COVER | 1-2134439-1 |
| 82.0 | NARROW TYPE WITH COVER | 2134439-1 |

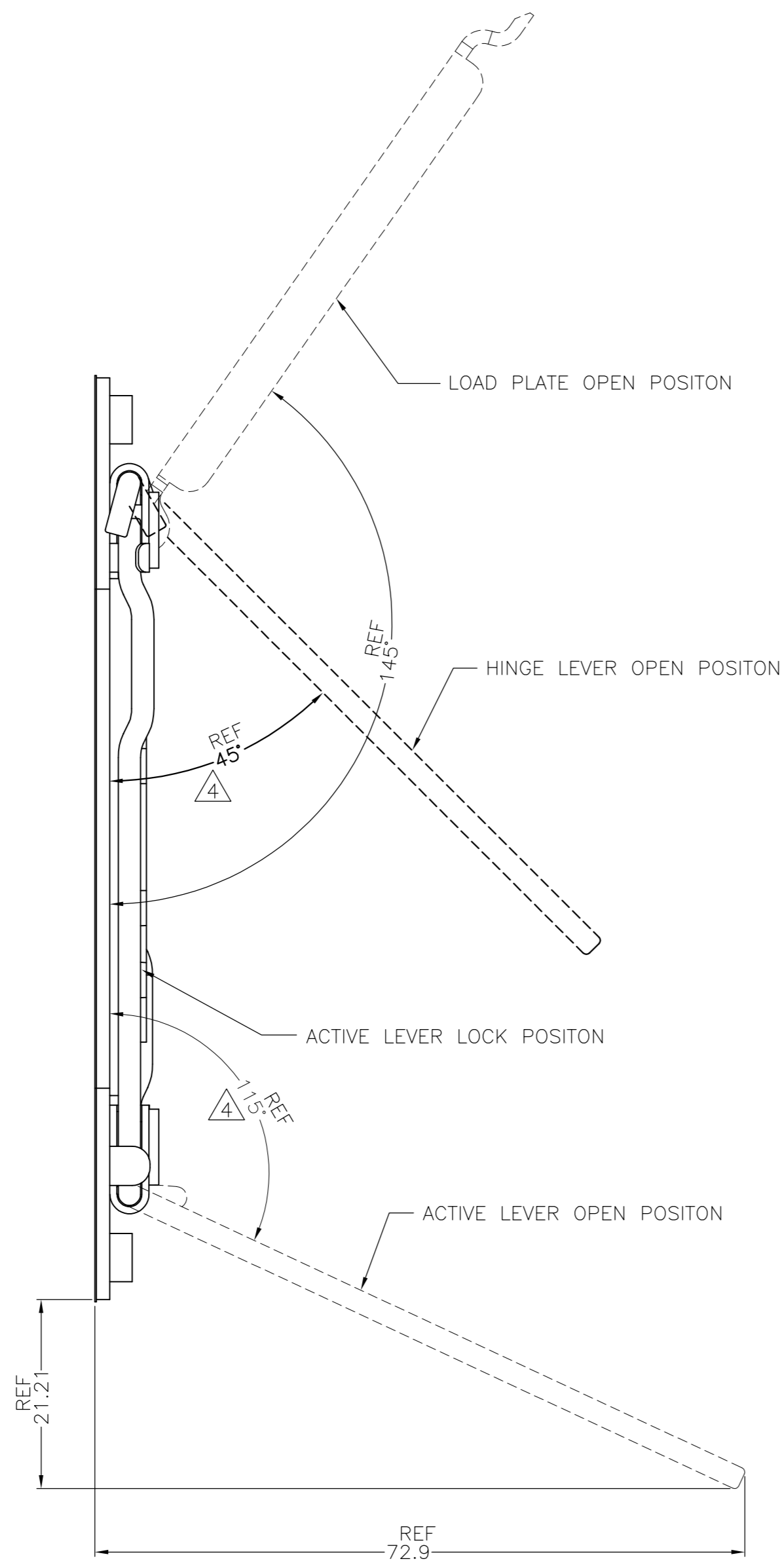
THIS DRAWING IS A CONTROLLED DOCUMENT.

| | | | | |
|-----------------------------|--|------------------|-----------------------|------------------|
| DWN: J.CHEN 16NOV2010 | TE Connectivity NAME: ILM ASSY LGA2011 | | | |
| CHK: H.TAGUCHI 16NOV2010 | | | | |
| APVD: T.NAKASHIMA 16NOV2010 | | | | |
| PRODUCT SPEC: 108-78750 | | | | |
| APPLICATION SPEC: 114-5474 | SIZE: A2 | CAGE CODE: 00779 | DRAWING NO: C=2134439 | RESTRICTED TO: - |
| MATERIAL: 材料 | WEIGHT: SEE TABLE | SCALE: NTS | SHEET: 1 OF 3 | REV: E |

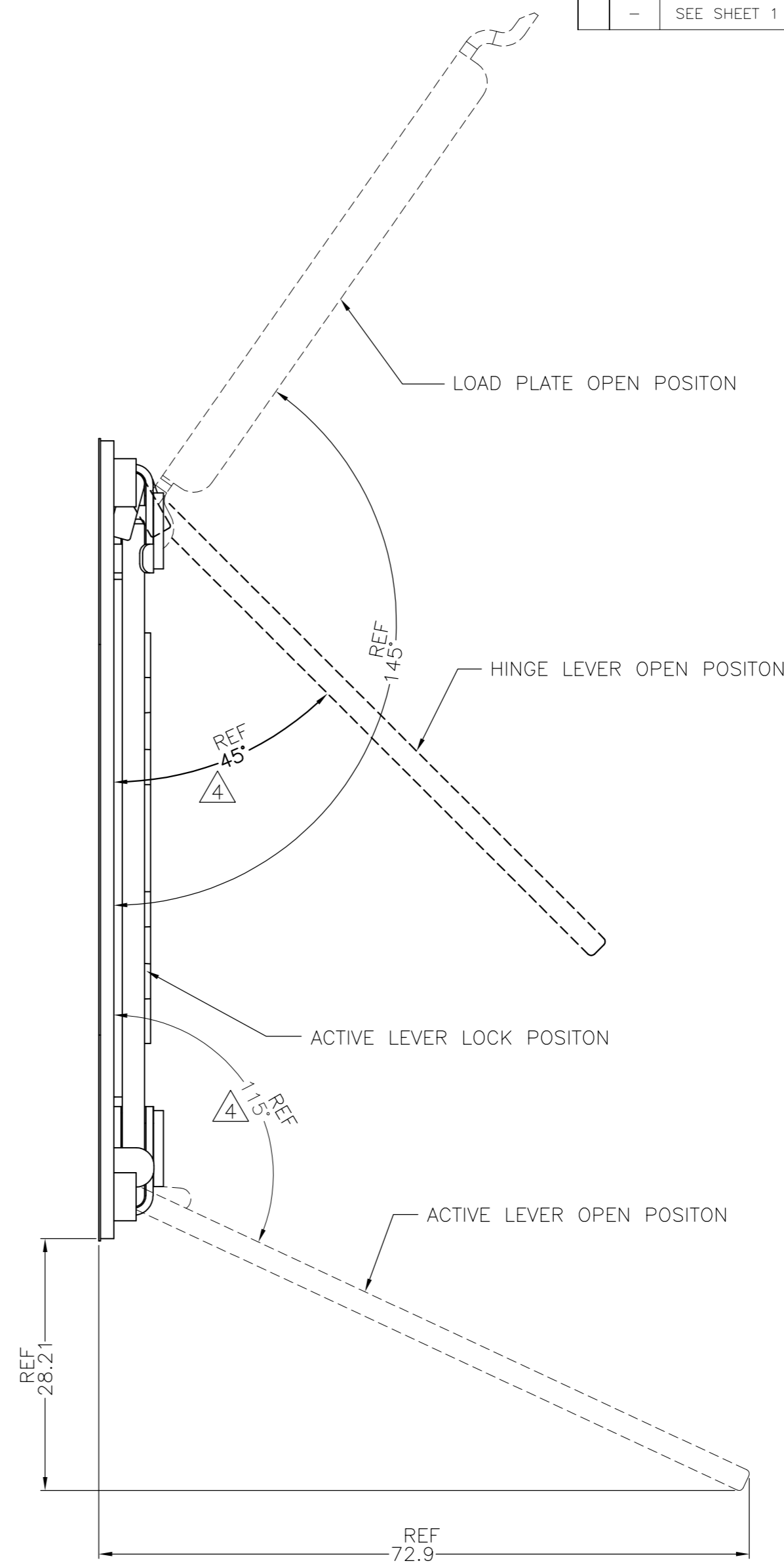
TOLERANCES UNLESS OTHERWISE SPECIFIED: 一般公差
 6-PLC ± ± ±0.3
 1-PLC ± ± ±3'
 2-PLC ± ± ±3'
 3-PLC ± ± ±3'
 4-PLC ± ± ±3'
 ANGLES: 加工

THIS DRAWING IS UNPUBLISHED. RELEASED FOR PUBLICATION APR , 2011.
 © COPYRIGHT 2011 By Tyco Electronics Japan G.K. ALL RIGHTS RESERVED.

| LOC | | DIST | | REVISIONS | | | | |
|-----|---|------|-----|-------------|-------------|------|-----|------|
| J | - | P | LTR | 変更 | DESCRIPTION | DATE | DWN | APVD |
| - | - | - | - | SEE SHEET 1 | - | - | - | - |



2134439-1, 1-2134439-1 AS SHOWN



2134439-2, -3, -4 1-2134439-2 AS SHOWN

| | | | | | | | |
|---|--|------------------|--------|--|--------|------------|-----------|
| THIS DRAWING IS A CONTROLLED DOCUMENT. | | DWN | - | TE Connectivity NAME ILM ASSY LGA2011 | | | |
| DIMENSIONS: 単位: 特 mm | | CHK | - | | | | |
| TOLERANCES UNLESS OTHERWISE SPECIFIED: 一般公差 | | APVD | - | PRODUCT SPEC | 製品規格 | SIZE | A2 |
| 0-PLC ± ± ± 0.3 1-PLC ± ± ± 3° 2-PLC ± ± ± 3° 3-PLC ± ± ± 4-PLC ± ± ± ANGLES ± ± ± | | APPLICATION SPEC | 取付適用規格 | CAGE CODE | 00779 | DRAWING NO | C=2134439 |
| MATERIAL 材料 | | WEIGHT | - | RESTRICTED TO | - | SCALE | NTS |
| FINISH 仕上 | | CUSTOMER DRAWING | | SHEET | 3 OF 3 | REV | E |