



Chipsmall Limited consists of a professional team with an average of over 10 year of expertise in the distribution of electronic components. Based in Hongkong, we have already established firm and mutual-benefit business relationships with customers from,Europe,America and south Asia,supplying obsolete and hard-to-find components to meet their specific needs.

With the principle of "Quality Parts,Customers Priority,Honest Operation,and Considerate Service",our business mainly focus on the distribution of electronic components. Line cards we deal with include Microchip,ALPS,ROHM,Xilinx,Pulse,ON,Everlight and Freescale. Main products comprise IC,Modules,Potentiometer,IC Socket,Relay,Connector.Our parts cover such applications as commercial,industrial, and automotives areas.

We are looking forward to setting up business relationship with you and hope to provide you with the best service and solution. Let us make a better world for our industry!



Contact us

Tel: +86-755-8981 8866 Fax: +86-755-8427 6832

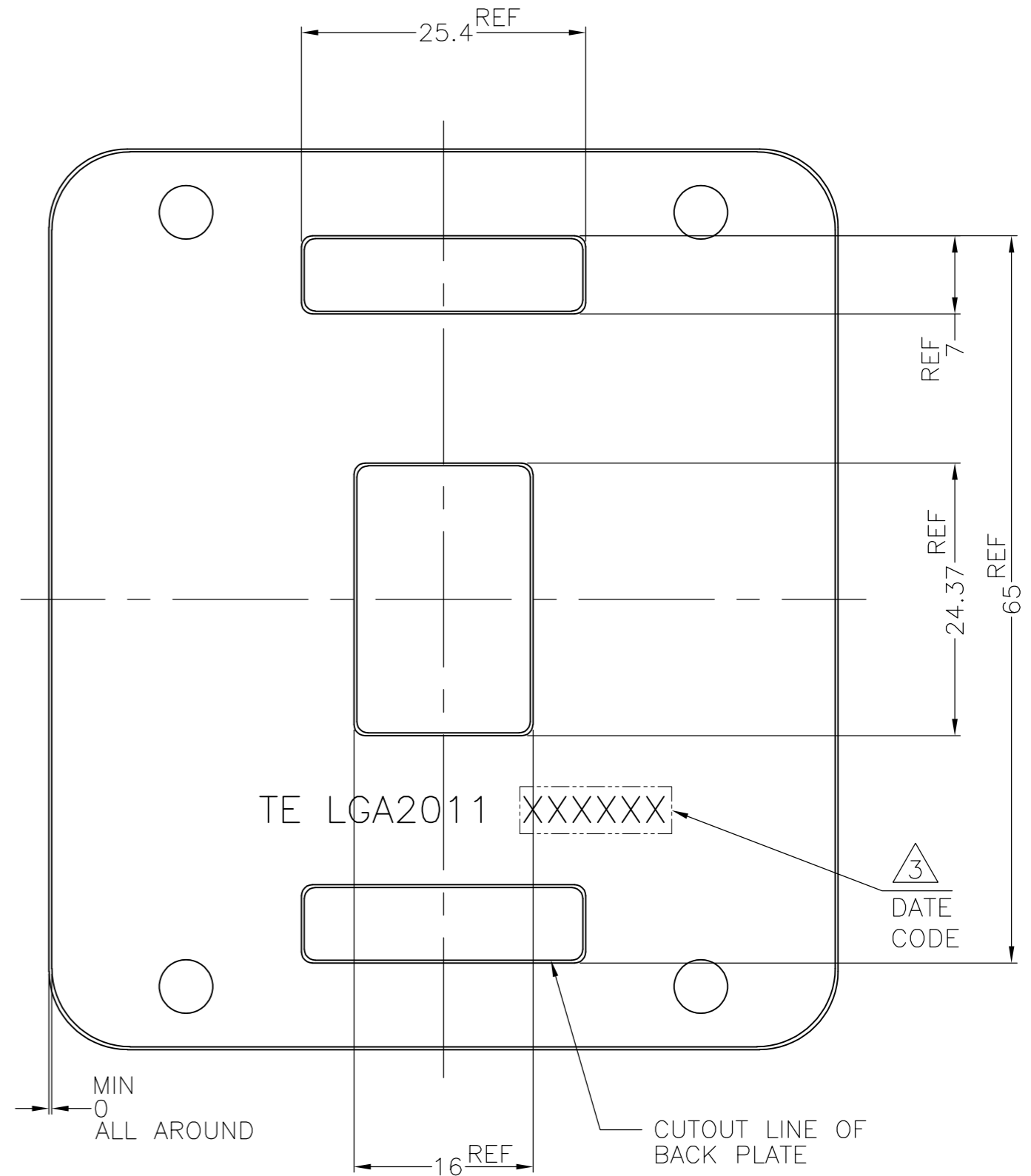
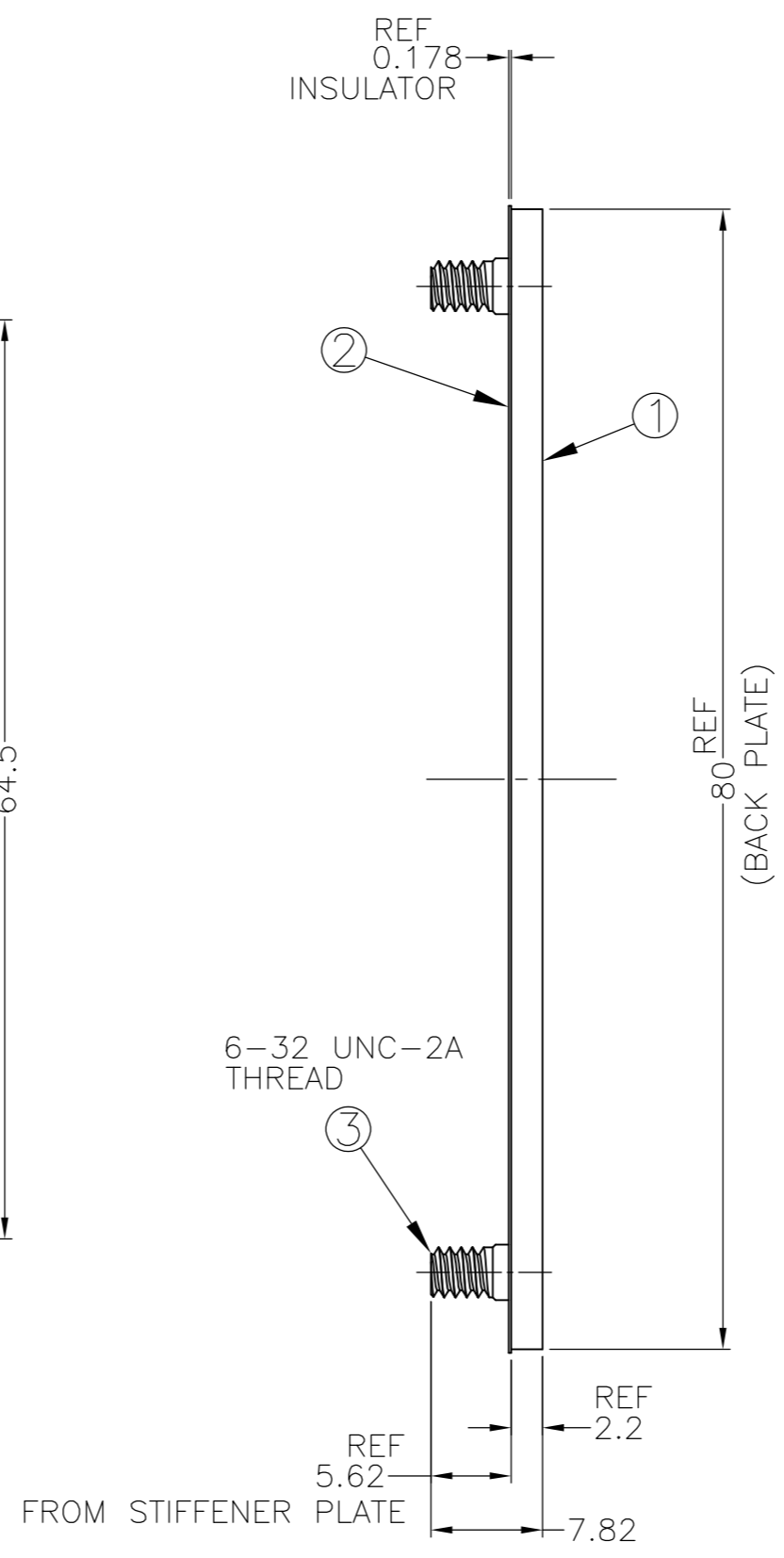
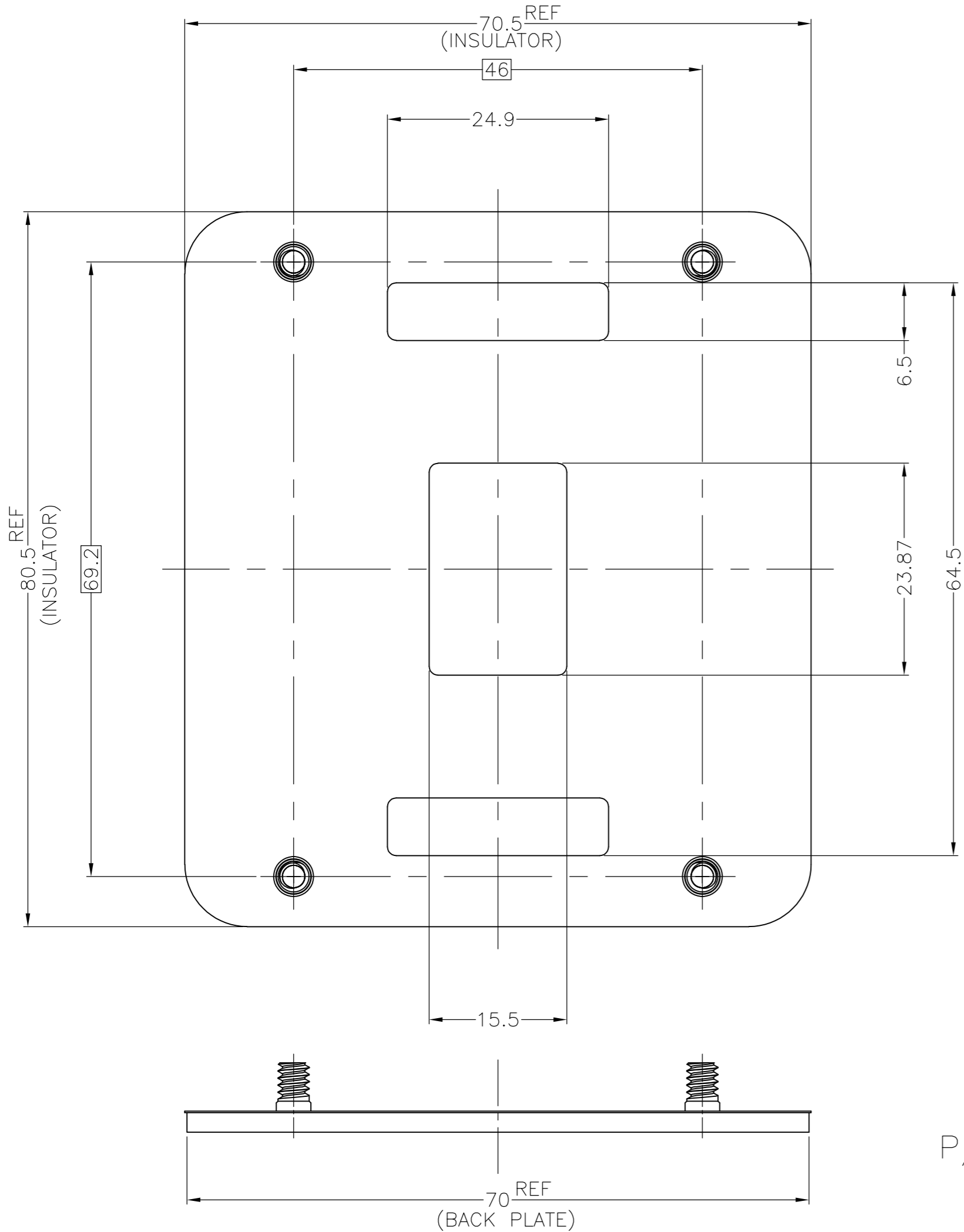
Email & Skype: info@chipsmall.com Web: www.chipsmall.com

Address: A1208, Overseas Decoration Building, #122 Zhenhua RD., Futian, Shenzhen, China



THIS DRAWING IS UNPUBLISHED. RELEASED FOR PUBLICATION APR , 2011.
 © COPYRIGHT 2011 By Tyco Electronics Japan G.K. ALL RIGHTS RESERVED.

LOC	DIST	REVISIONS			DATE	DWN	APVD
J	-	P	LTR	DESCRIPTION			
		E		REVISED	12APR'16	J.W	C.W



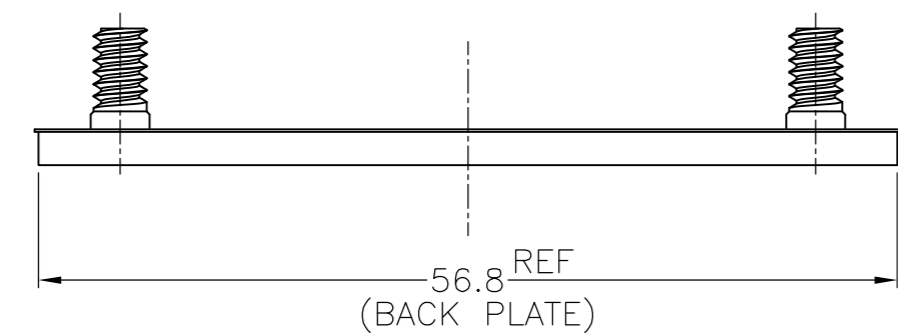
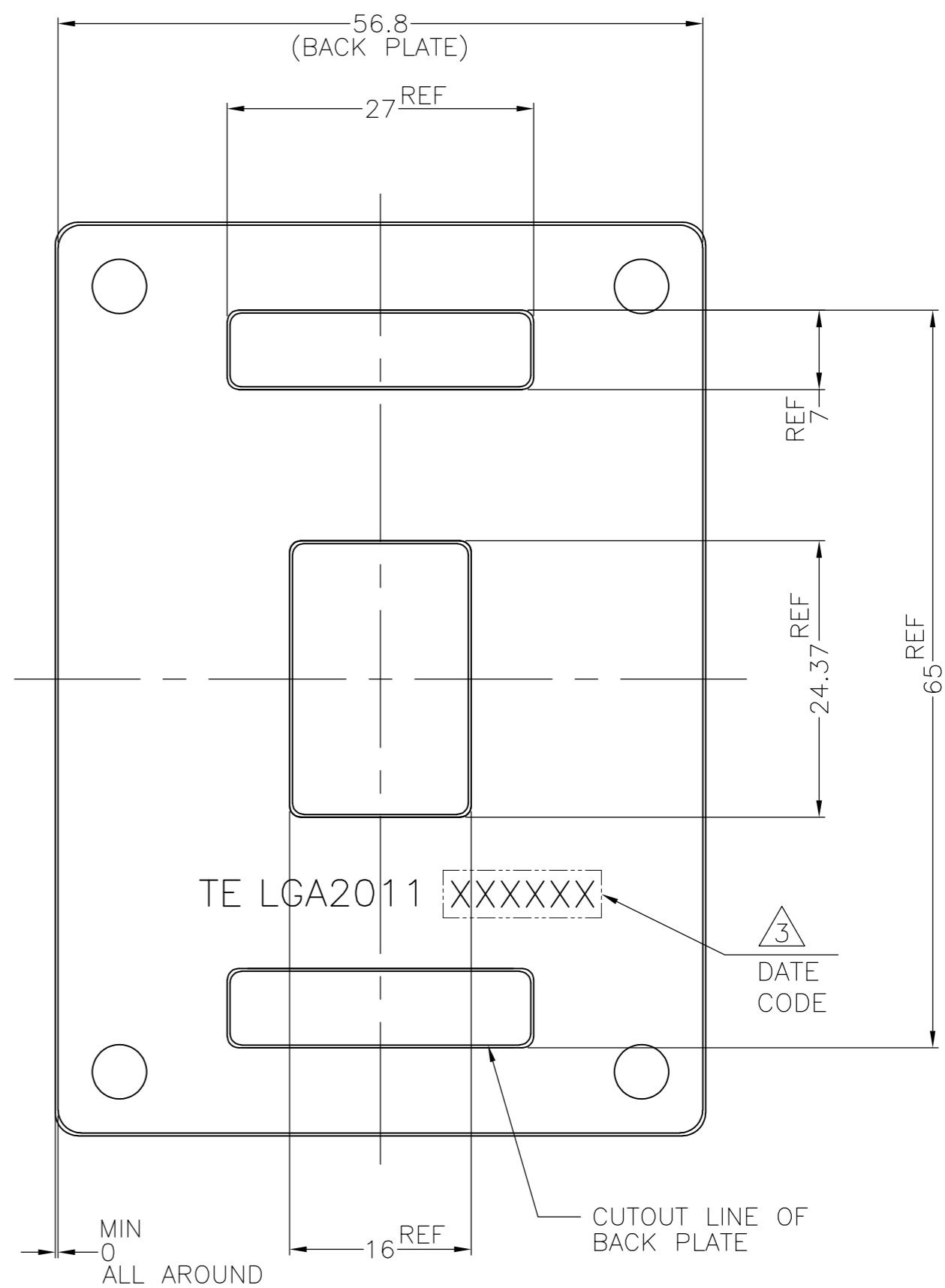
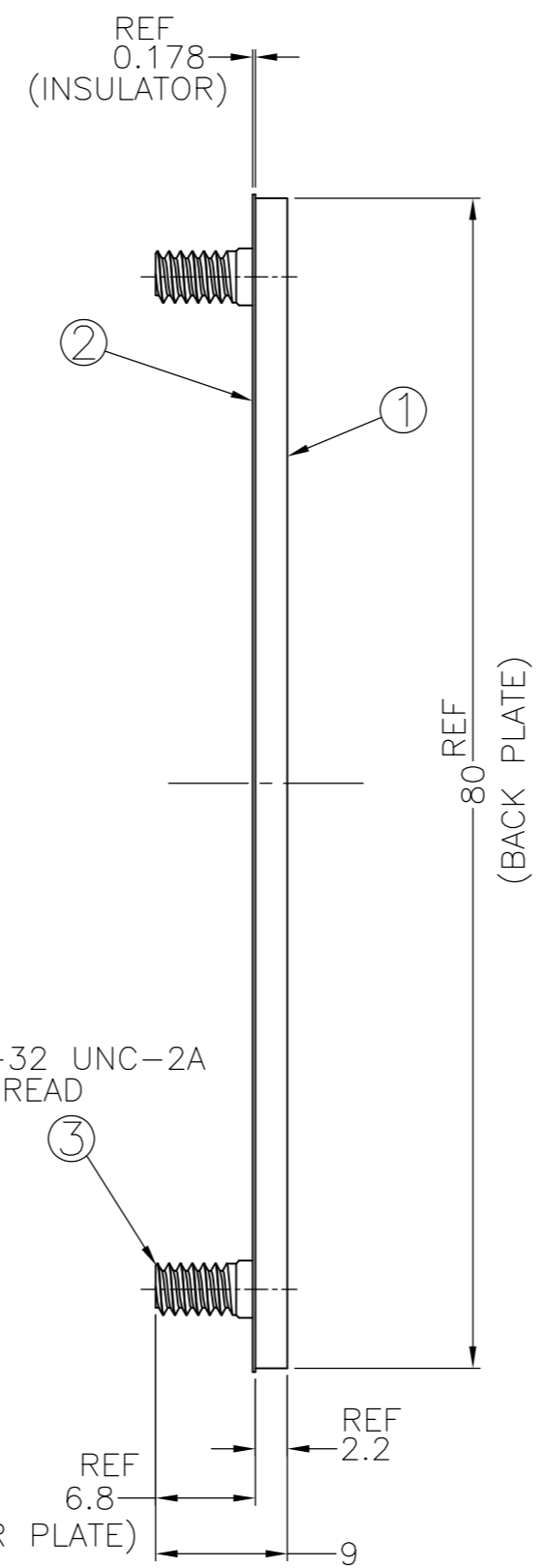
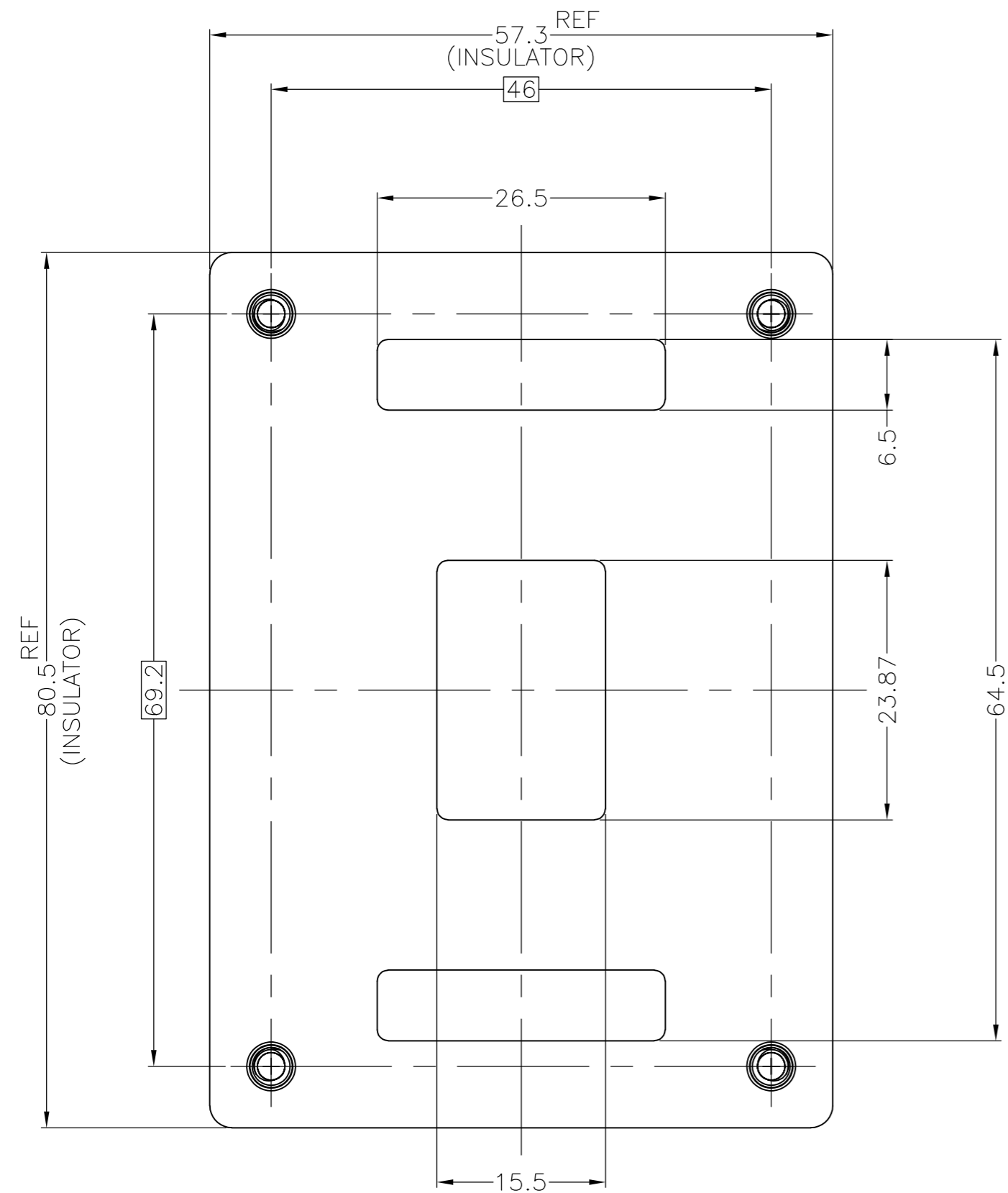
P/N: 2134440-1 AS SHOWN

- NOTE(APPLIED TO SHEET 1 OF 5, 3~5 OF 5):
- MATERIAL:
 - ① BACK PLATE: STEEL, FINISH: NI PLATING
 - ② INSULATOR: POLYCARBONATE FILM PLUS ACRYLIC ADHESIVE LAYER
 - ③ STUD: STEEL, FINISH: NI PLATING
 - ASSEMBLED WITH ILM ASSEMBLY P/N: 2134439 SERIES
 - INDICATED DATE CODE ON THE BACK PLATE

85.1	Ni PLATING	2134440-7
84.9	Ni PLATING	2134440-5
84.7	Ni PLATING	2134440-4
67.5	Ni PLATING	2134440-3
84.7	Ni PLATING	2134440-1
WEIGHT(g)	FINISH	PART NO.

THIS DRAWING IS A CONTROLLED DOCUMENT.		DWN	J.CHEN	16NOV2010	 TE Connectivity						
DIMENSIONS: 単位: 寸 mm		CHK	H.TAGUCHI	16NOV2010							
TOLERANCES UNLESS OTHERWISE SPECIFIED: 一般公差		APVD	T.NAKASHIMA	16NOV2010							
0-PLC ± ± ± 0.3 1-PLC ± ± ± 0.3 2-PLC ± ± ± 0.3 3-PLC ± ± ± 0.3 4-PLC ± ± ± 0.3 ANGLES ± ± ± 0.3 FINISH 仕上		NAME 名称 PRODUCT SPEC 製品規格 APPLICATION SPEC 取付適用規格 108-78750 114-5474		BACK PLATE ASSY LGA2011							
MATERIAL 材料	FINISH 仕上	WEIGHT	SEE TABLE	SIZE	A2	CAGE CODE	00779	DRAWING NO 番号	C=2134440	RESTRICTED TO	-
CUSTOMER DRAWING		SCALE 尺度		2:1	SHEET	1 OF 5	REV	E			

LOC		DIST		REVISIONS			
J		-		変更	DATE	DWN	APVD
P		LTR		DESCRIPTION			
				SEE SHEET 1	-	-	-



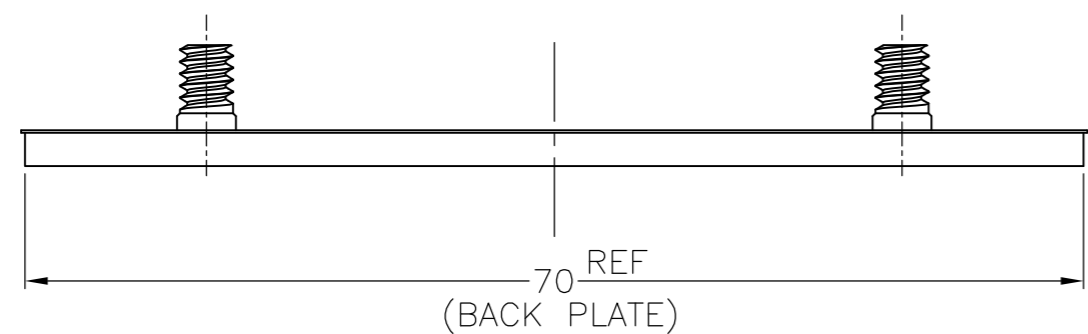
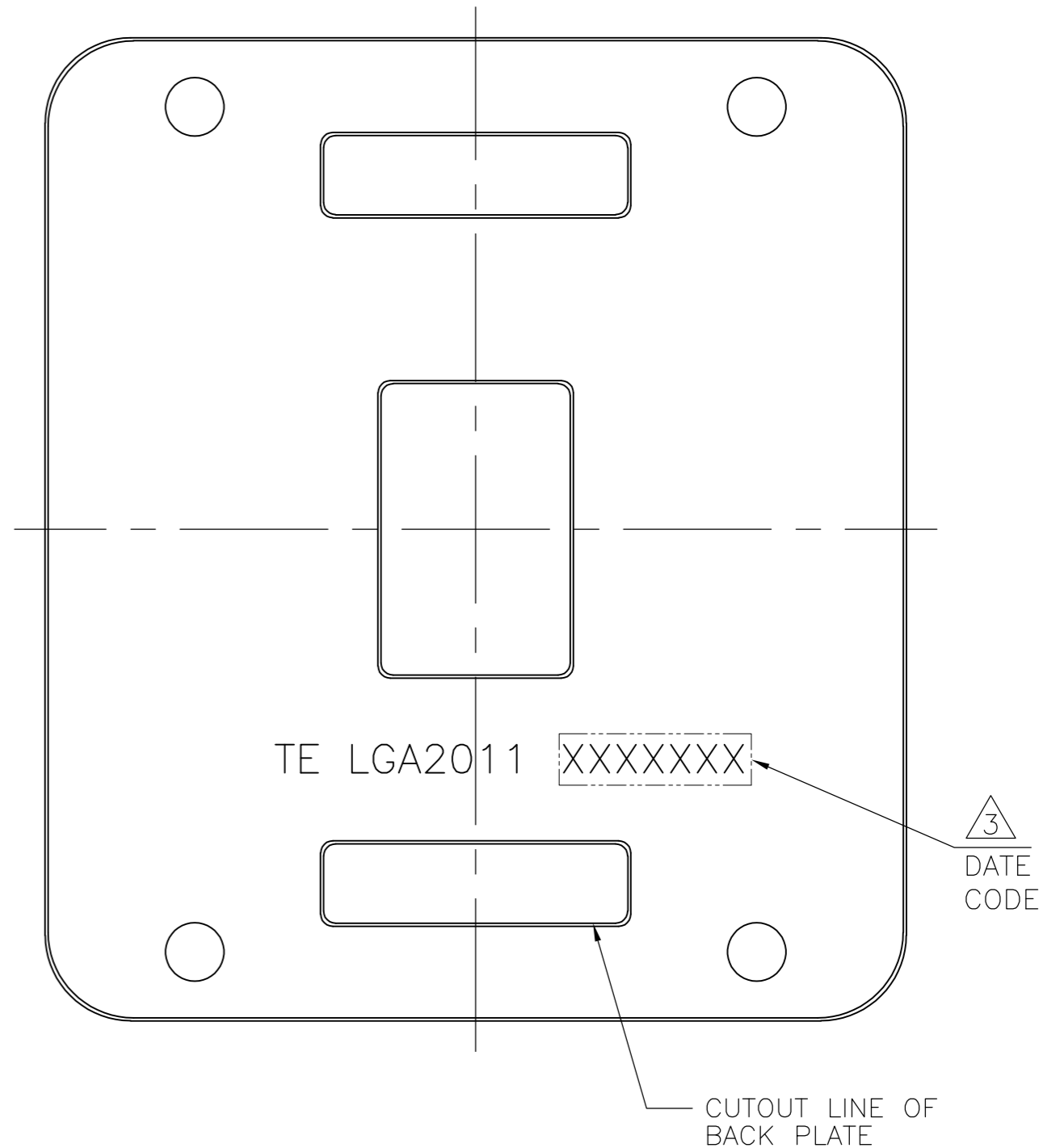
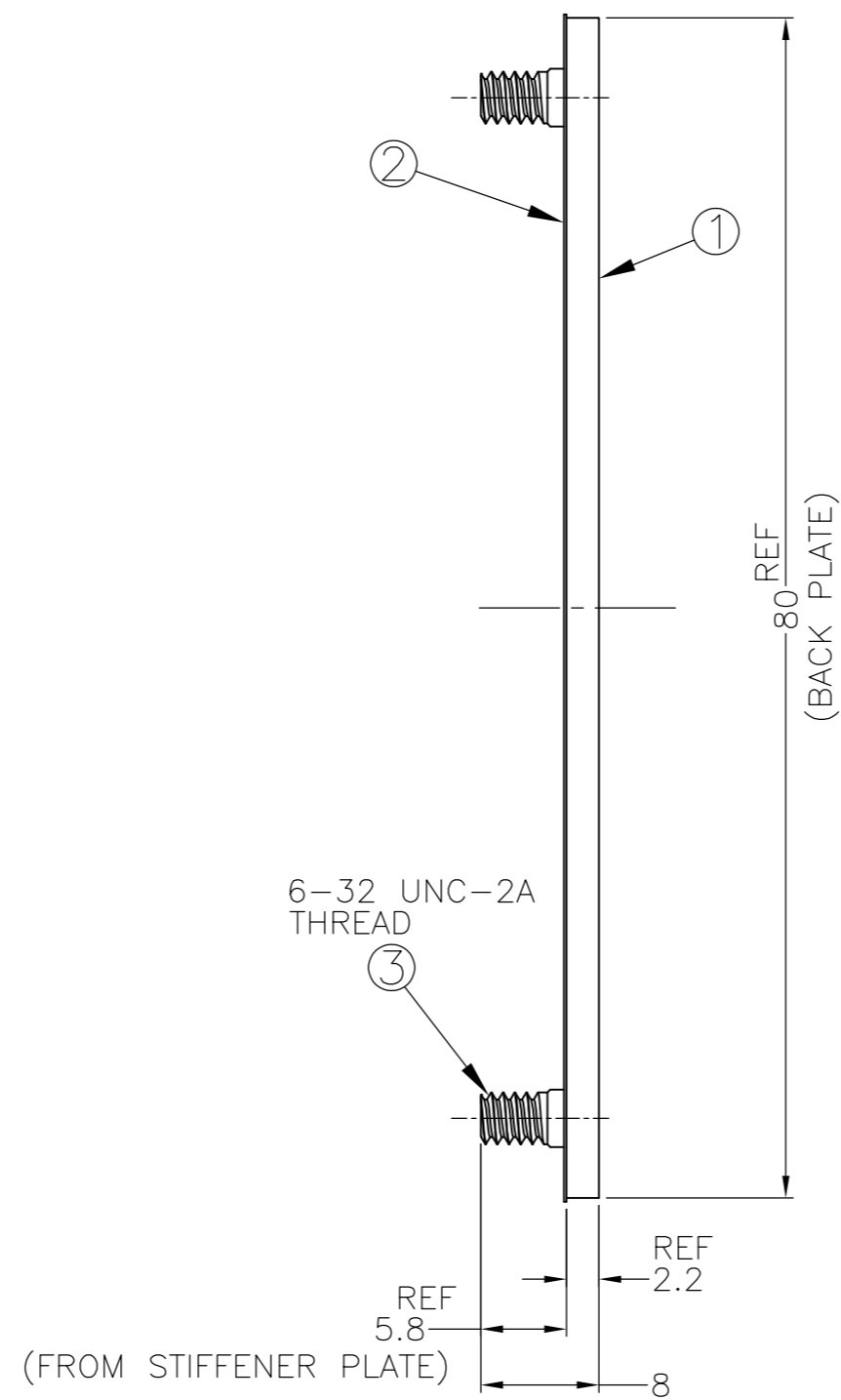
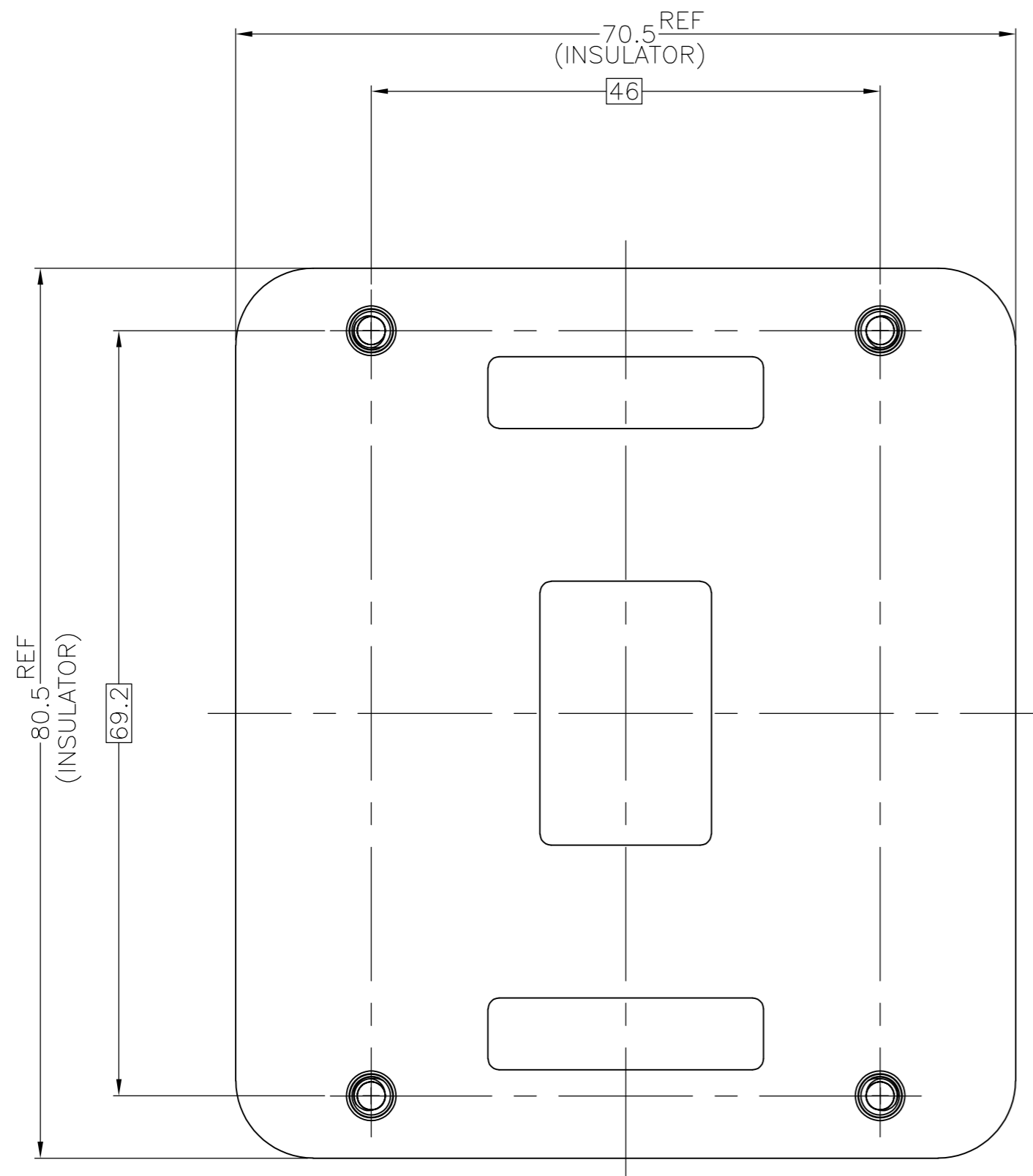
P/N: 2134440-3 AS SHOWN

- NOTE(APPLIED TO SHEET 2 OF 5):
- MATERIAL:
 - ① BACK PLATE: STEEL, FINISH: NI PLATING
 - ② INSULATOR: POLYCARBONATE FILM PLUS ACRYLIC ADHESIVE LAYER
 - ③ STUD: STEEL, FINISH: NI PLATING
 - ASSEMBLED WITH ILM ASSEMBLY P/N: 2134439 SERIES
 - INDICATED DATE CODE ON THE BACK PLATE
 - APPLICABLE PCB THICKNESS: 2.86~3.58mm

THIS DRAWING IS A CONTROLLED DOCUMENT.		DWN	TE Connectivity	
DIMENSIONS: 単位: 寸 mm		CHK	BACK PLATE ASSY LGA2011	
TOLERANCES UNLESS OTHERWISE SPECIFIED: 一般公差		APVD	NAME 名称	
0-PLC ± ± ± 0.3 1-PLC ± ± ± 3° 2-PLC ± ± ± 3-PLC ± ± ± 4-PLC ± ± ± ANGLES 仕上		PRODUCT SPEC	SIZE CAGE CODE DRAWING NO 番号	
MATERIAL 材料		APPLICATION SPEC	RESTRICTED TO	
FINISH 仕上		WEIGHT	A2 00779 C=2134440	
		CUSTOMER DRAWING	SCALE 2:1 SHEET 2 OF 5 REV E	

THIS DRAWING IS UNPUBLISHED. RELEASED FOR PUBLICATION APR , 2011.
 © COPYRIGHT 2011 By Tyco Electronics Japan G.K. ALL RIGHTS RESERVED.

LOC	DIST	REVISIONS					
J	-	P	LTR	DESCRIPTION	DATE	DWN	APVD
		-	-	SEE SHEET 1	-	-	-

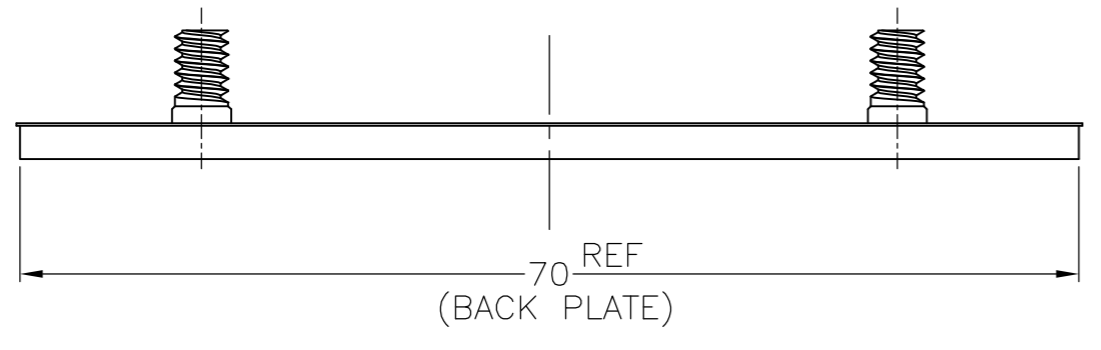
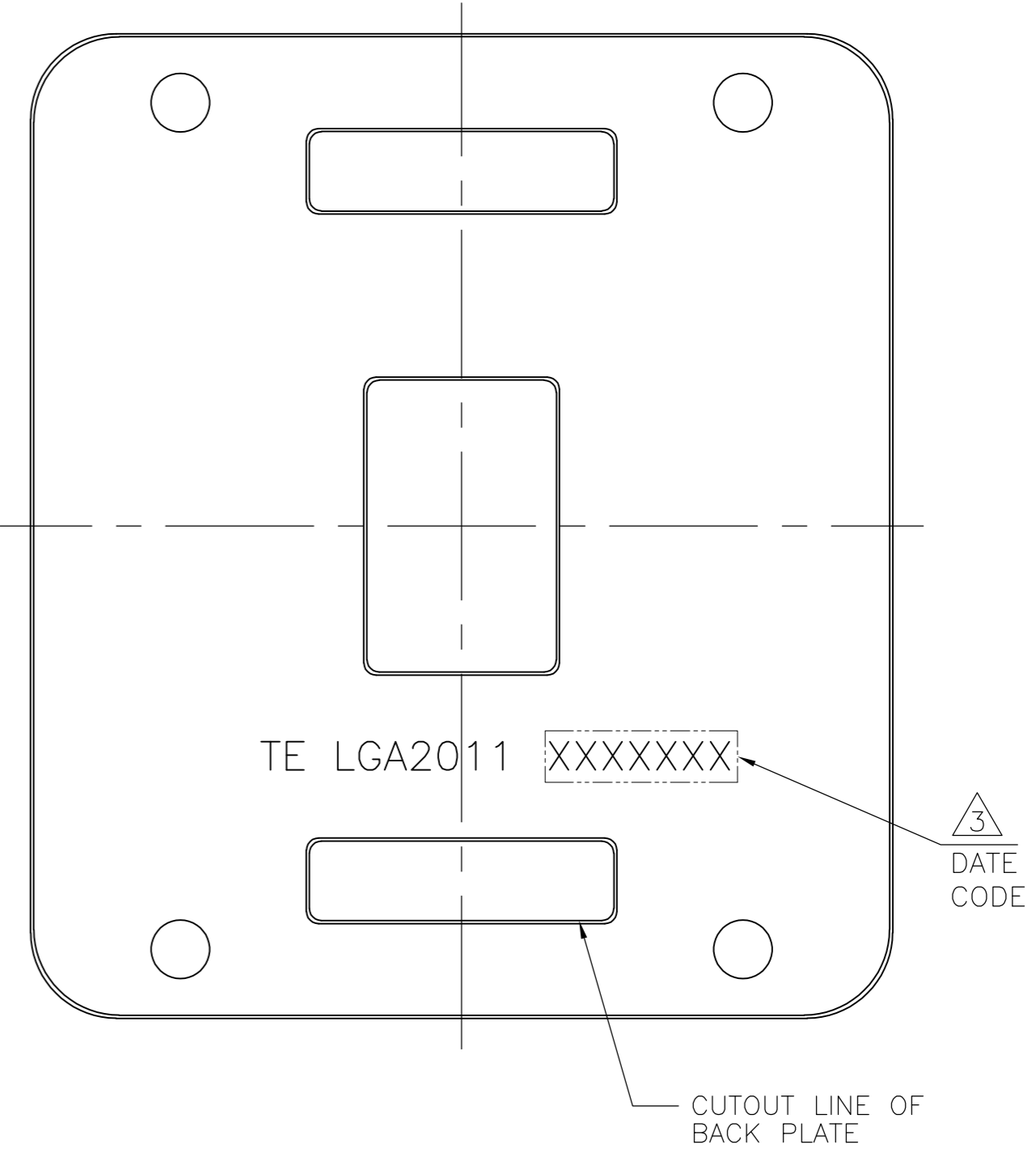
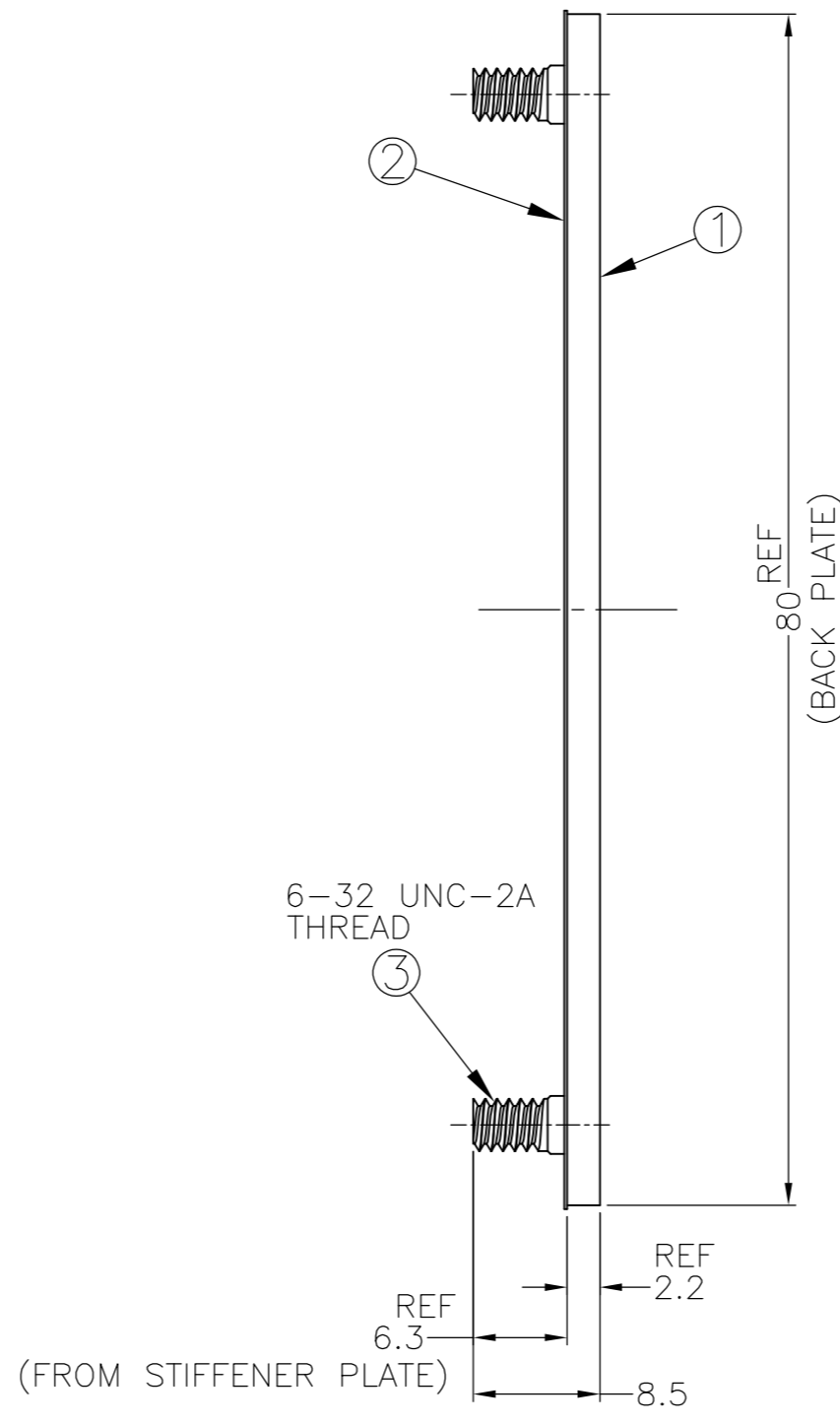
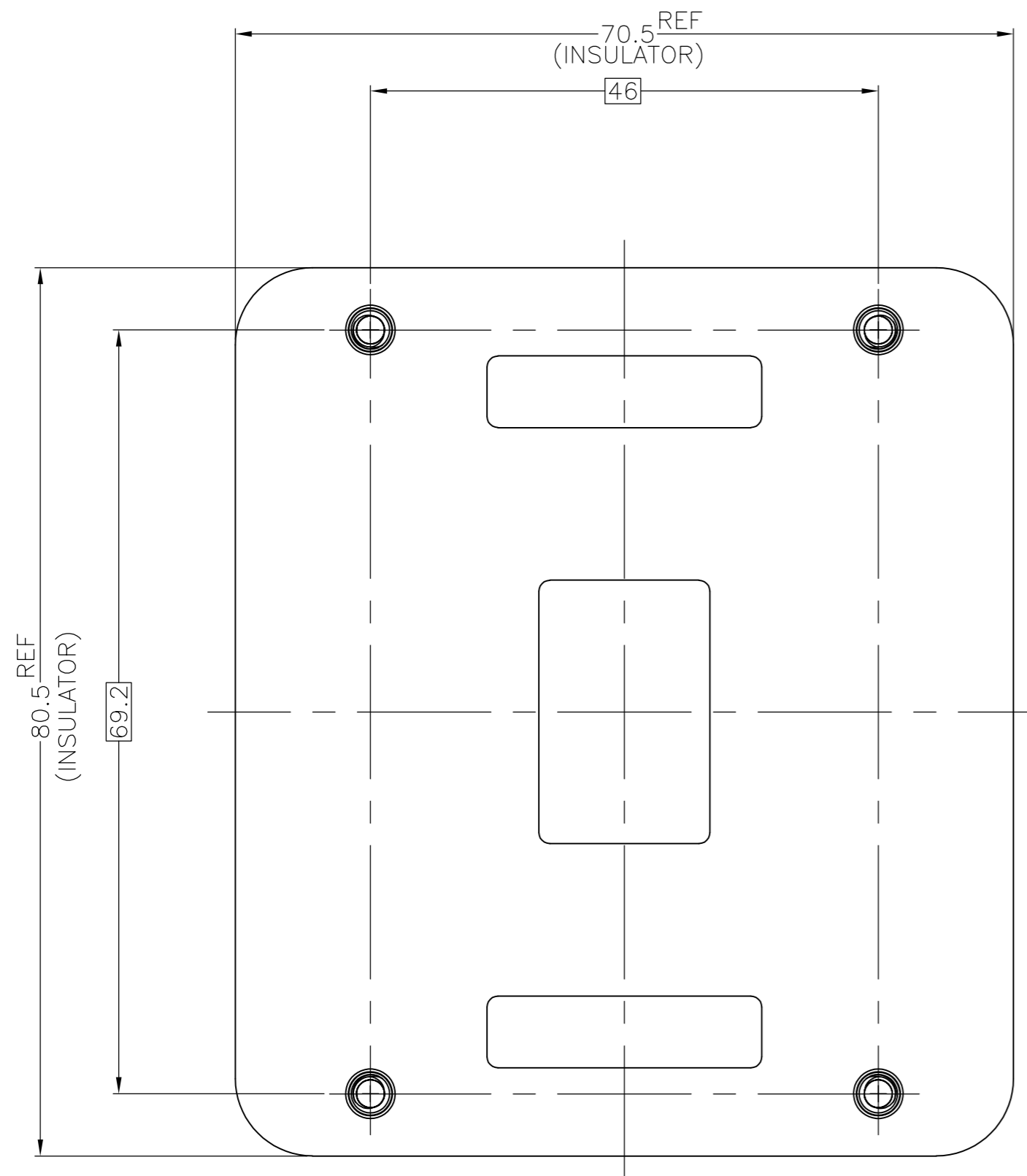


2134440-4 AS SHOWN
 UNLESS SPECIFIED
 DIMENSION ARE SAME WITH -1

THIS DRAWING IS A CONTROLLED DOCUMENT.		DWN	-	STE TE Connectivity	
DIMENSIONS: 単位: 種 mm		CHK	-		
TOLERANCES UNLESS OTHERWISE SPECIFIED: 一般公差		APVD	-	NAME 名称	
6-PLC ± ± ± 0.3		PRODUCT SPEC 製品規格		BACK PLATE ASSY	
1-PLC ± ± ± 3°		APPLICATION SPEC 取付適用規格		LGA2011	
2-PLC ± ± ±		WEIGHT SEE TABLE		SIZE	CAGE CODE
3-PLC ± ± ±		CUSTOMER DRAWING		A2	00779
4-PLC ± ± ±		SCALE 尺度 2:1		DRAWING NO 番号	RESTRICTED TO
FINISH 仕上		SHEET 3 OF 5		C=2134440	-
MATERIAL 材料		REV E			

THIS DRAWING IS UNPUBLISHED. RELEASED FOR PUBLICATION APR , 2011.
 © COPYRIGHT 2011 By Tyco Electronics Japan G.K. ALL RIGHTS RESERVED.

LOC		DIST		REVISIONS			
P	LTR	DESCRIPTION		DATE	DWN	APVD	
J	-	-	-	SEE SHEET 1	-	-	

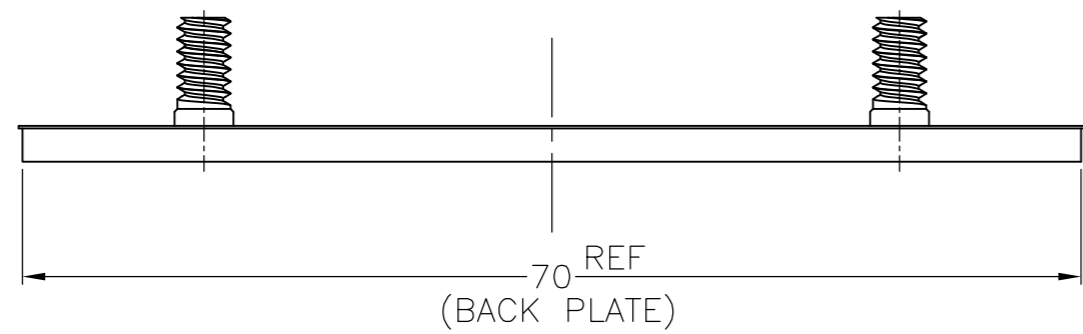
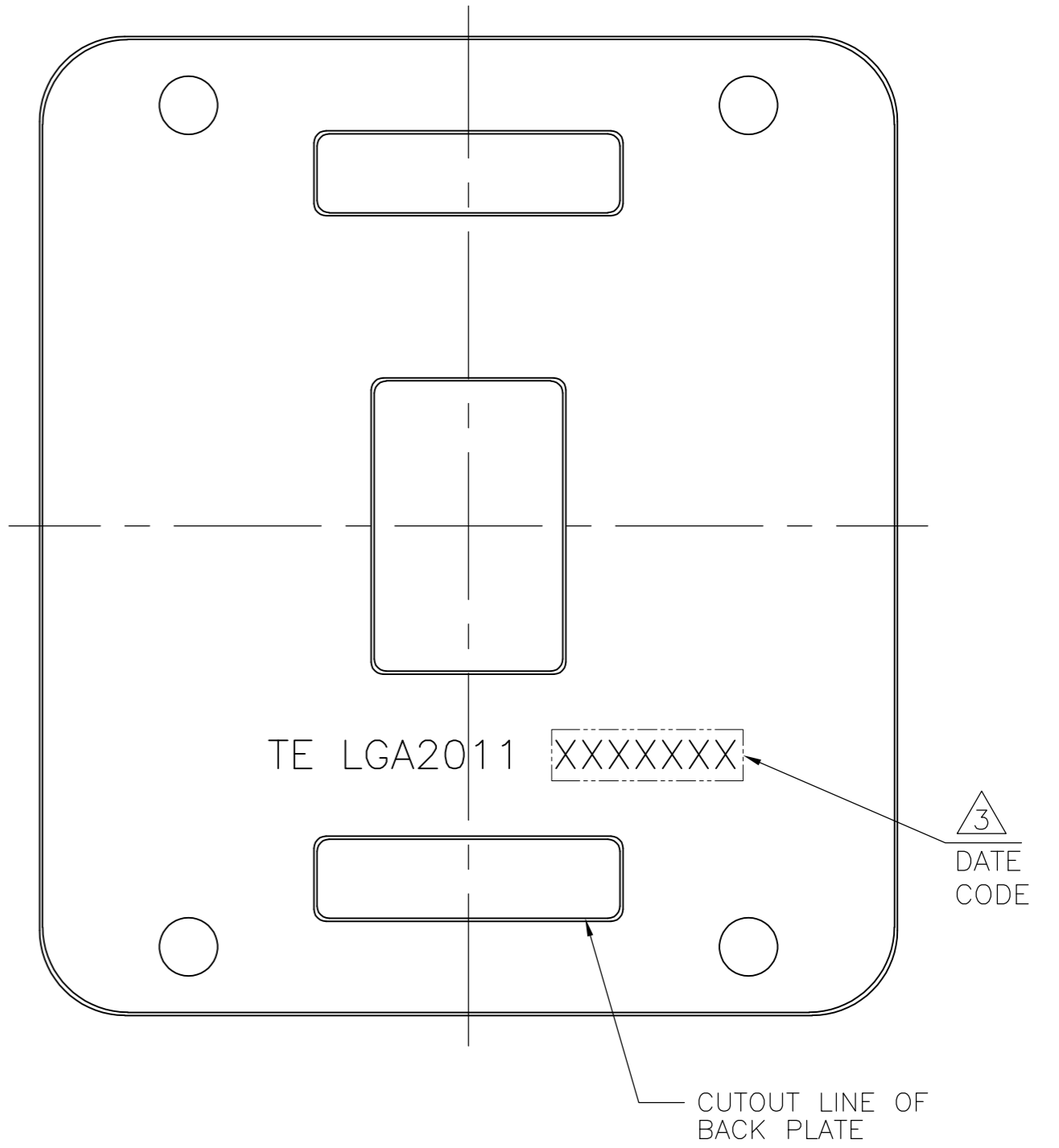
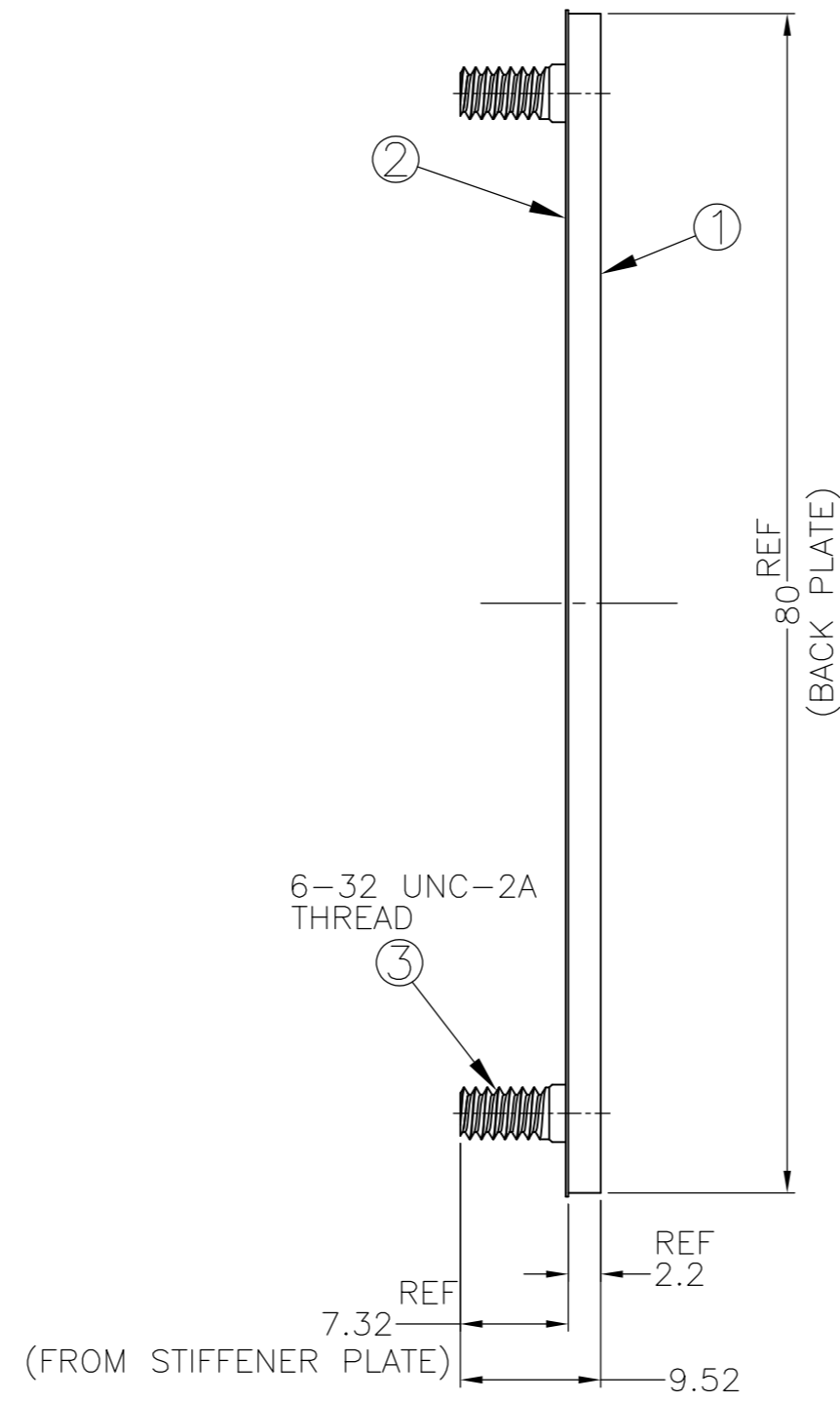
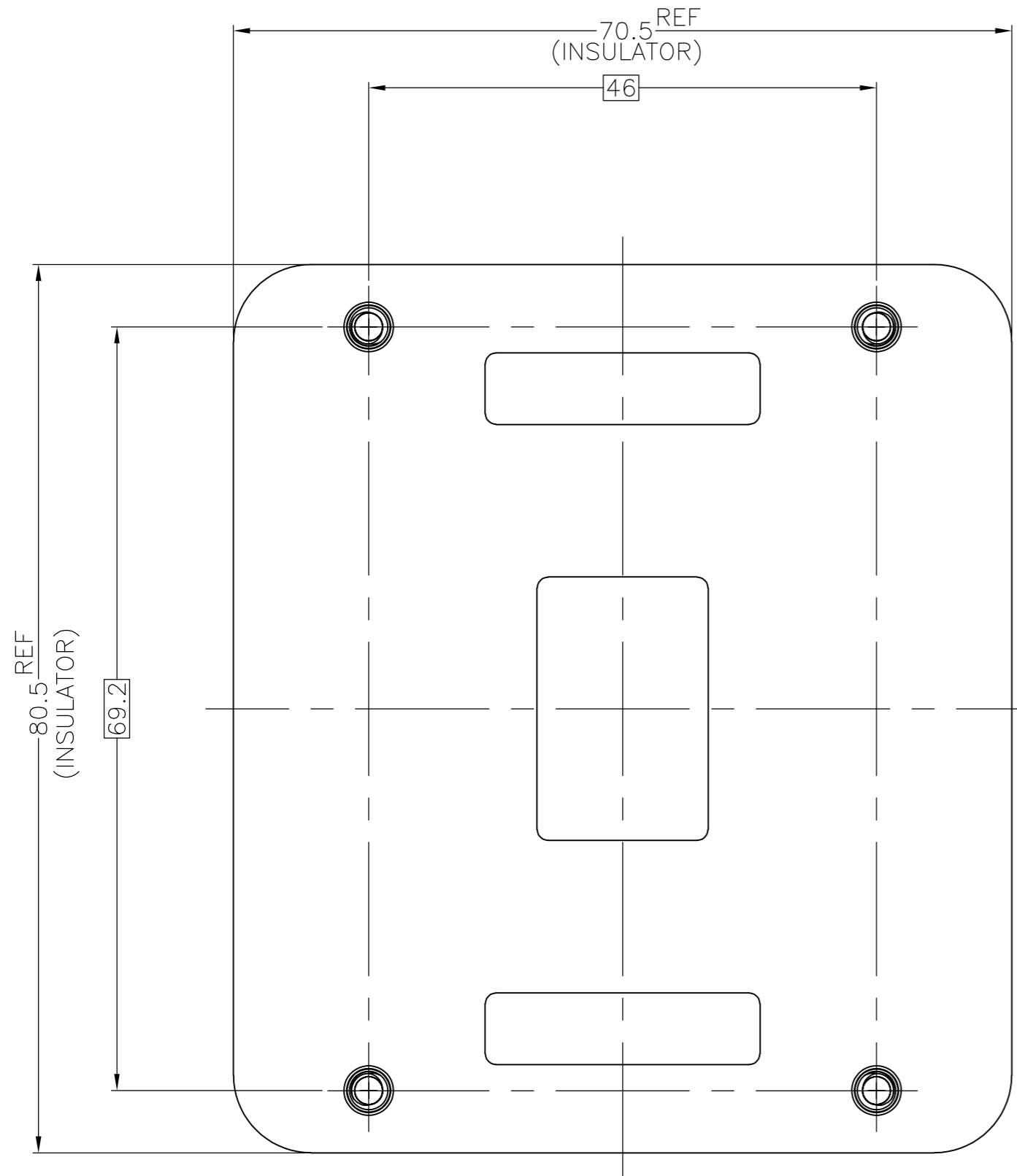


2134440-5 AS SHOWN
 UNLESS SPECIFIED
 DIMENSION ARE SAME WITH -1

THIS DRAWING IS A CONTROLLED DOCUMENT.		DWN	TE Connectivity	
DIMENSIONS: 単位: 種 mm		CHK	BACK PLATE ASSY LGA2011	
TOLERANCES UNLESS OTHERWISE SPECIFIED: 一般公差		APVD	SIZE	CAGE CODE
0-PLC ± ± ± 0.3	PRODUCT SPEC 製品規格	-	A2	00779
1-PLC ± ± ± 3°	APPLICATION SPEC 取付適用規格	-	DRAWING NO 番号	C=2134440
2-PLC ± ± ±	FINISH 仕上	WEIGHT	RESTRICTED TO	-
3-PLC ± ± ±	MATERIAL 材料	SEE TABLE	SCALE 尺度	2:1
4-PLC ± ± ±	FINISH 仕上	CUSTOMER DRAWING	SHEET	4 OF 5
ANGLES ± ± ±			REV	E

THIS DRAWING IS UNPUBLISHED. RELEASED FOR PUBLICATION APR , 2011.
 © COPYRIGHT 2011 By Tyco Electronics Japan G.K. ALL RIGHTS RESERVED.

LOC	DIST	REVISIONS					
J	-	P	LTR	DESCRIPTION	DATE	DWN	APVD
		-	-	SEE SHEET 1	-	-	-



2134440-7 AS SHOWN
 UNLESS SPECIFIED
 DIMENSION ARE SAME WITH -1

THIS DRAWING IS A CONTROLLED DOCUMENT.		DWN	-	STE TE Connectivity	
DIMENSIONS: 単位: 寸 mm		CHK	-		
TOLERANCES UNLESS OTHERWISE SPECIFIED: 一般公差		APVD	-	NAME 名称	
6-PLC ± ± 0.3		PRODUCT SPEC 製品規格		BACK PLATE ASSY	
1-PLC ± ±		APPLICATION SPEC 取付適用規格		LGA2011	
2-PLC ± ± 3°		SIZE	A2	CAGE CODE	00779
3-PLC ± ±		WEIGHT	SEE TABLE	DRAWING NO 番号	C=2134440
4-PLC ± ±		CUSTOMER DRAWING		RESTRICTED TO	-
ANGLES ± ±		SCALE	2:1	SHEET	5 OF 5
FINISH 仕上				REV	E