



Chipsmall Limited consists of a professional team with an average of over 10 year of expertise in the distribution of electronic components. Based in Hongkong, we have already established firm and mutual-benefit business relationships with customers from,Europe,America and south Asia,supplying obsolete and hard-to-find components to meet their specific needs.

With the principle of “Quality Parts,Customers Priority,Honest Operation,and Considerate Service”,our business mainly focus on the distribution of electronic components. Line cards we deal with include Microchip,ALPS,ROHM,Xilinx,Pulse,ON,Everlight and Freescale. Main products comprise IC,Modules,Potentiometer,IC Socket,Relay,Connector.Our parts cover such applications as commercial,industrial, and automotives areas.

We are looking forward to setting up business relationship with you and hope to provide you with the best service and solution. Let us make a better world for our industry!



Contact us

Tel: +86-755-8981 8866 Fax: +86-755-8427 6832

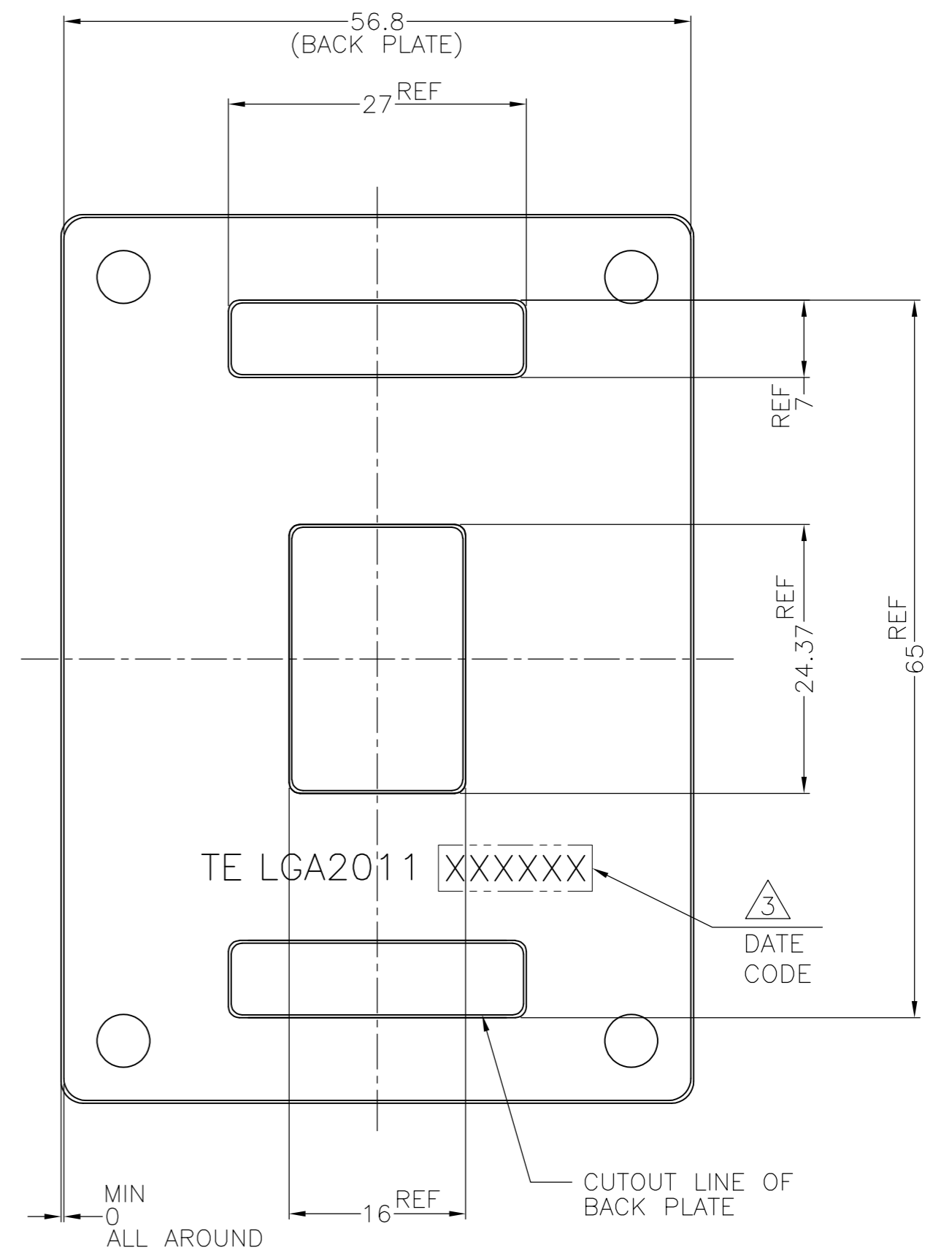
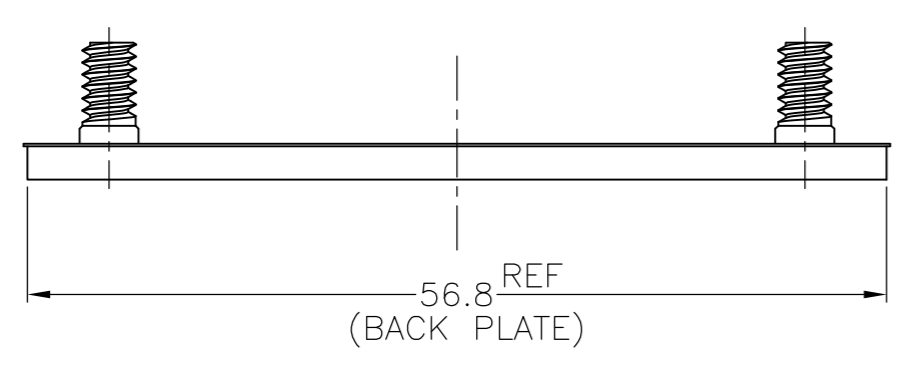
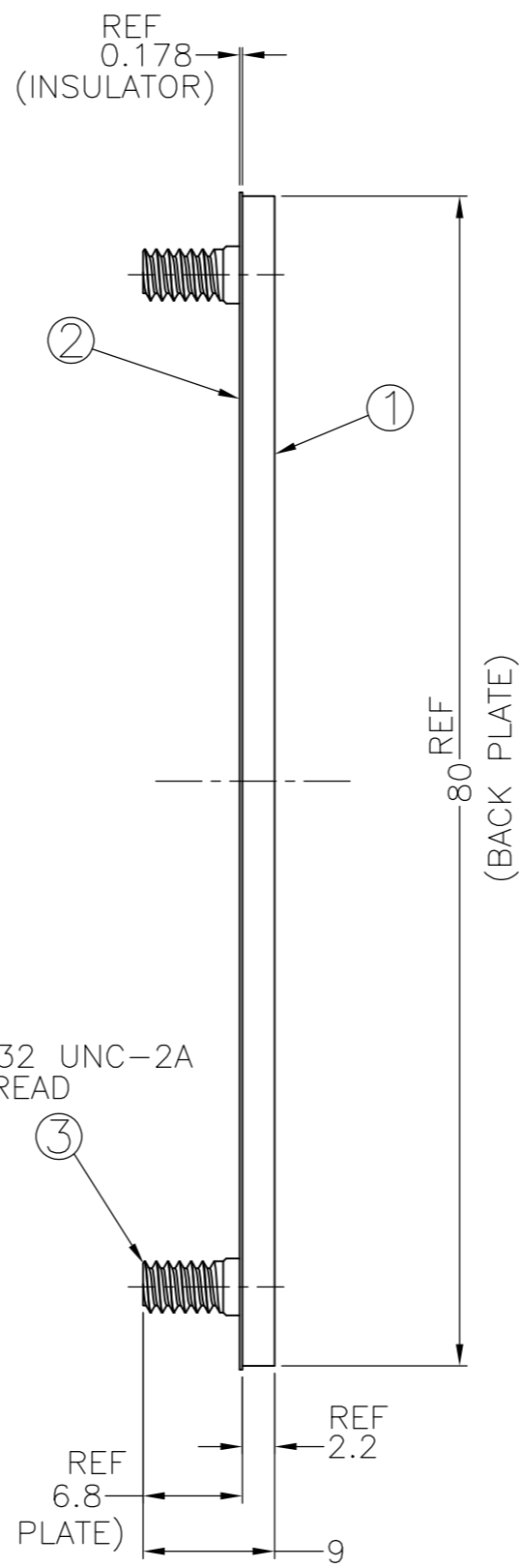
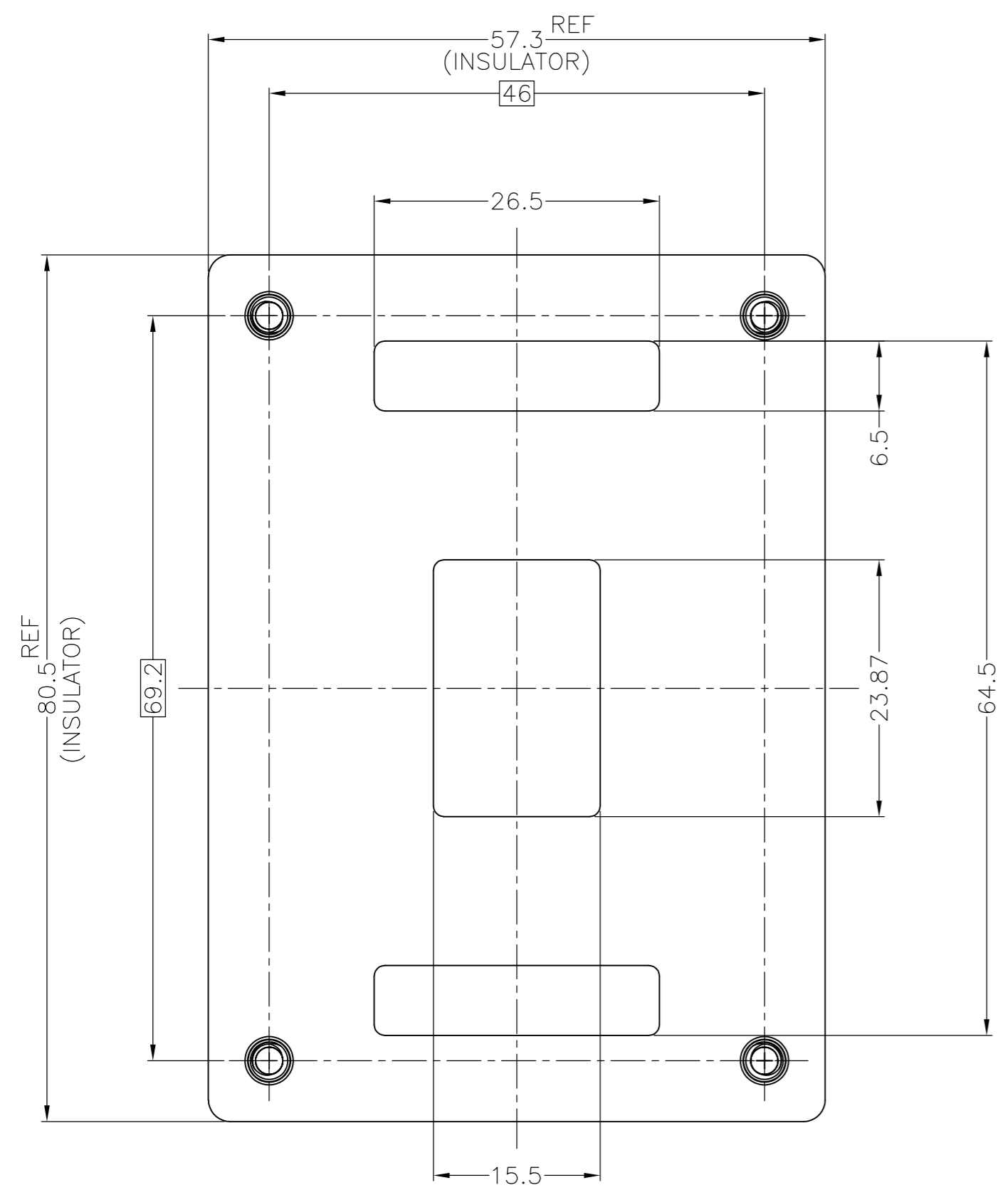
Email & Skype: info@chipsmall.com Web: www.chipsmall.com

Address: A1208, Overseas Decoration Building, #122 Zhenhua RD., Futian, Shenzhen, China



THIS DRAWING IS UNPUBLISHED. RELEASED FOR PUBLICATION
 © COPYRIGHT - By Tyco Electronics Japan G.K. ALL RIGHTS RESERVED.

LOC	DIST	REVISIONS			DATE	DWN	APVD
J	-	P	LTR	DESCRIPTION			
		A		RELEASE	04SEP'11	J.C	T.N



- MATERIAL:
 - BACK PLATE: STEEL, FINISH: Ni PLATING
 - INSULATOR: POLYCARBONATE FILM PLUS ACRYLIC ADHESIVE LAYER
 - STUD: STEEL, FINISH: Ni PLATING
- ASSEMBLED WITH ILM ASSEMBLY P/N: 2134439 SERIES
- INDICATED DATE CODE ON THE BACK PLATE
- APPLICABLE PCB THICKNESS: 2.86~3.58mm

P/N: 2134440-3 AS SHOWN

THIS DRAWING IS A CONTROLLED DOCUMENT.		DWN J.CHEN 04SEP2011	TE Connectivity	
DIMENSIONS: 单位: 毫米 mm		CHK H.TAGUCHI 04SEP2011		
TOLERANCES UNLESS OTHERWISE SPECIFIED: 一般公差		APVD T.NAKASHIMA 04SEP2011	NAME 名称	
0-PLC ± ±0.3 1-PLC ± ±0.3 2-PLC ± ±0.3 3-PLC ± ±0.3 4-PLC ± ±0.3 ANGLES ± ±		PRODUCT SPEC 108-78750	BACK PLATE ASSY LGA2011	
MATERIAL 材料		APPLICATION SPEC 114-5474	SIZE A2	CAGE CODE 00779
FINISH 仕上		WEIGHT 68g	DRAWING NO 番号 C=2134440-3	RESTRICTED TO -
		CUSTOMER DRAWING	SCALE 2:1	SHEET 1 OF 1