



Chipsmall Limited consists of a professional team with an average of over 10 year of expertise in the distribution of electronic components. Based in Hongkong, we have already established firm and mutual-benefit business relationships with customers from,Europe,America and south Asia,supplying obsolete and hard-to-find components to meet their specific needs.

With the principle of "Quality Parts,Customers Priority,Honest Operation,and Considerate Service",our business mainly focus on the distribution of electronic components. Line cards we deal with include Microchip,ALPS,ROHM,Xilinx,Pulse,ON,Everlight and Freescale. Main products comprise IC,Modules,Potentiometer,IC Socket,Relay,Connector.Our parts cover such applications as commercial,industrial, and automotives areas.

We are looking forward to setting up business relationship with you and hope to provide you with the best service and solution. Let us make a better world for our industry!



Contact us

Tel: +86-755-8981 8866 Fax: +86-755-8427 6832

Email & Skype: info@chipsmall.com Web: www.chipsmall.com

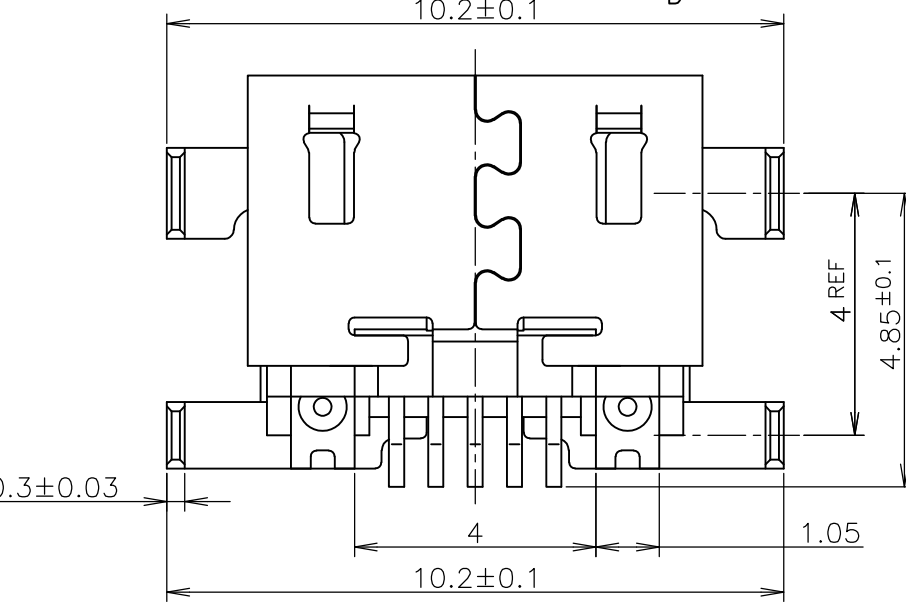
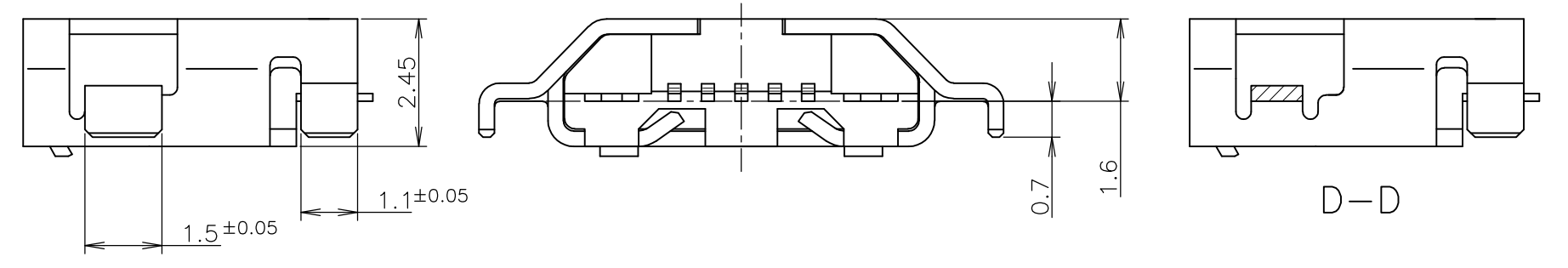
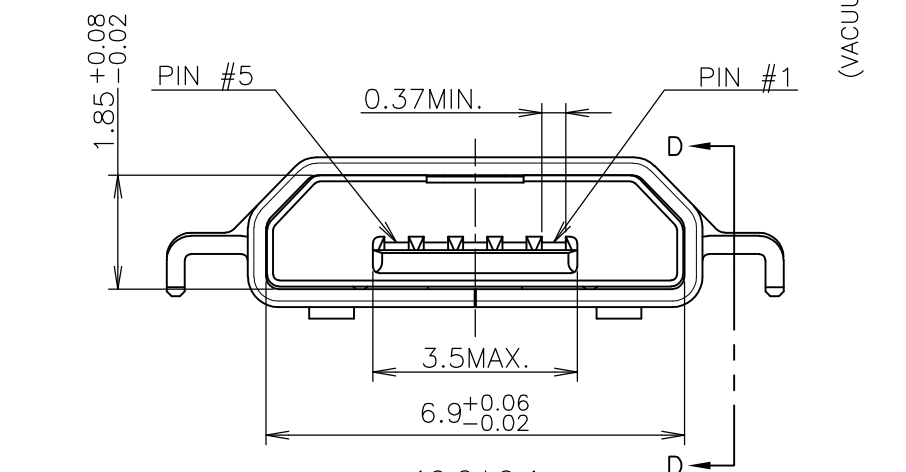
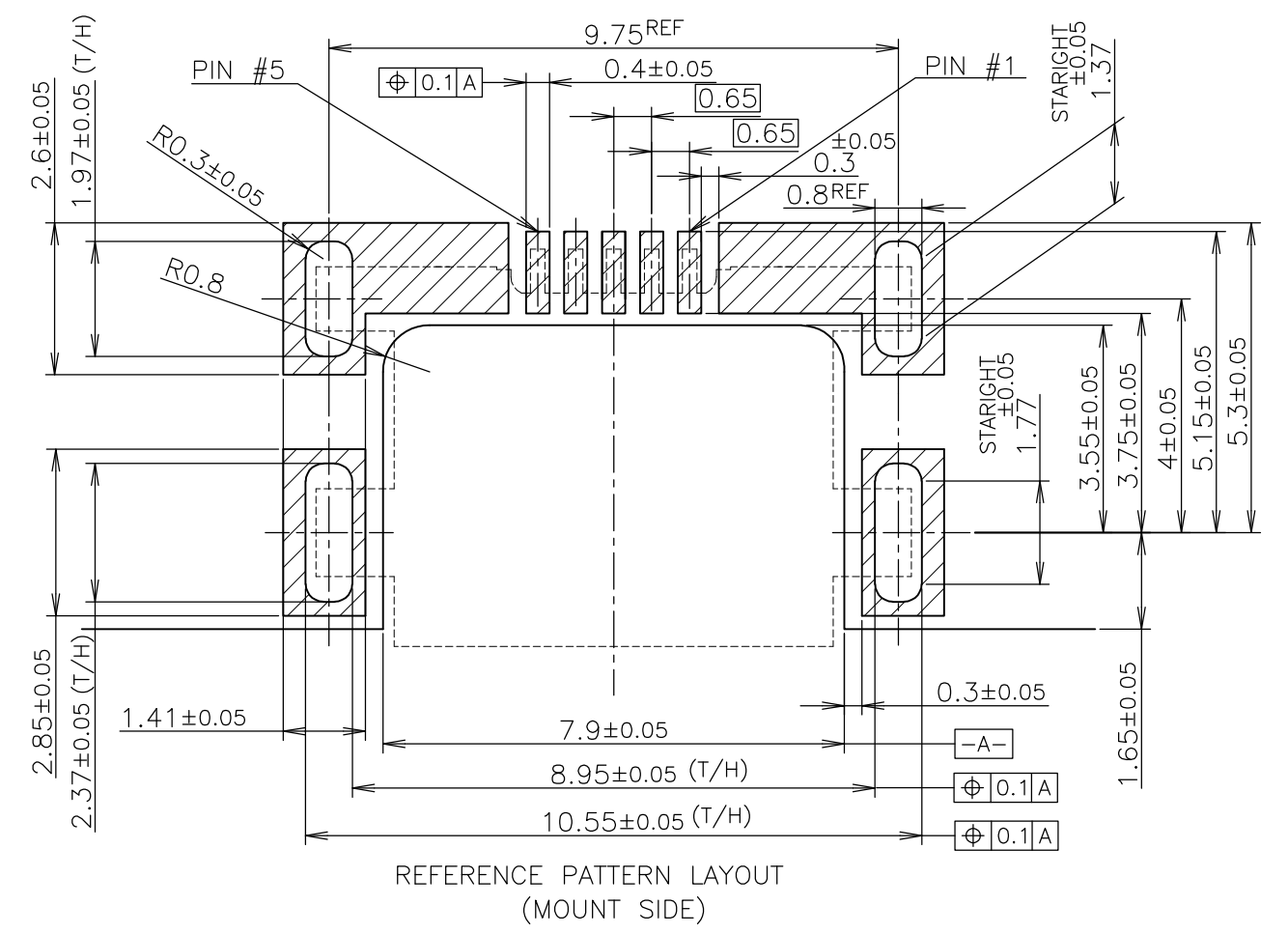
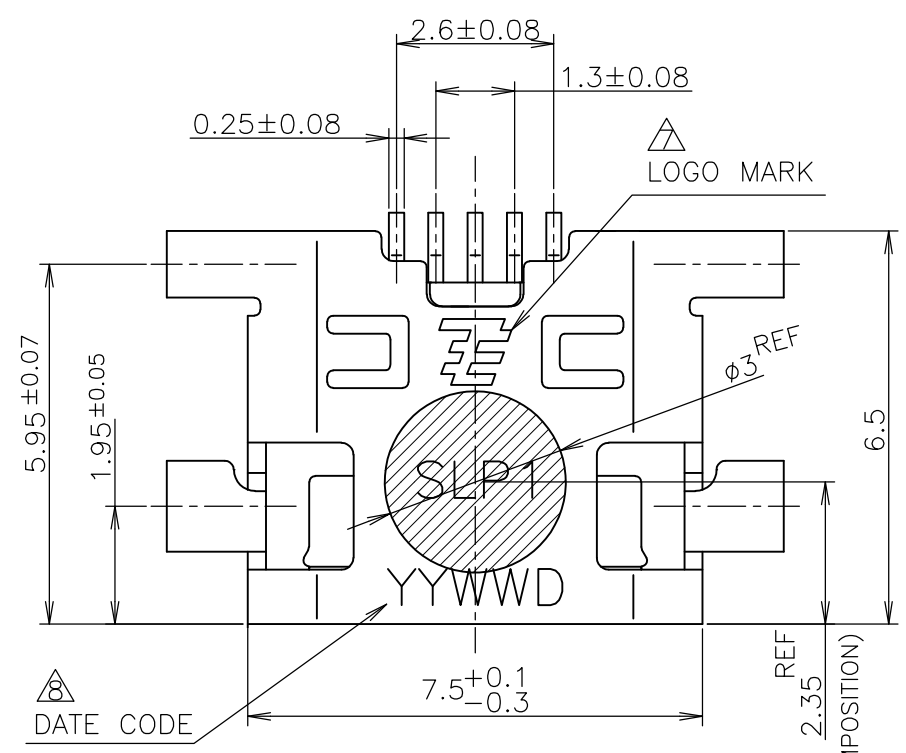
Address: A1208, Overseas Decoration Building, #122 Zhenhua RD., Futian, Shenzhen, China



THIS DRAWING IS UNPUBLISHED. RELEASED FOR PUBLICATION JUL ,2011.
 © COPYRIGHT 2011 By Tyco Electronics Japan G.K. ALL RIGHTS RESERVED.

LOC	DIST	REVISIONS					
J	/	P	LTR	DESCRIPTION	DATE	DWN	APVD
		A	RELEASED		25JUL2011	C.O	T.K

- 1 GENERAL TOLERANCE: ±0.3
- 2 CONTACT TINE COPLANALITY; 0.08mm MAX
- ③ MATERIAL HOUSING: THERMO PLASTIC RESIN
CONTACT: COPPER ALLOY
SHELL: STAINLESS STEEL
- ④ FINISH
CONTACT; Ni UNDER PLATING ALL OVER
Au PLATING ON SOLDERING AREA
Au PLATING ON CONTACT AREA
SHELL; Ni UNDER PLATING ALL OVER
Sn PLATING ALL OVER
- 5 PREVENTION OF WRENCHING
PLEASE HOLD THE TOP AND THE SIDE OF CONNECTOR BY THE CASE.
- 6 PREVENTION OF HITTING DURING PLUG INSERTION
PLEASE SET THE INSERTION GUIDE ALONG THE MATING SURFACE.
- △ LOGO MARK
- ⑧ DATE CODE: YYWWD
(YEAR, WEEK, DAY)
SLP1 (SHIFT, LINE, P1: REVISION CODE)

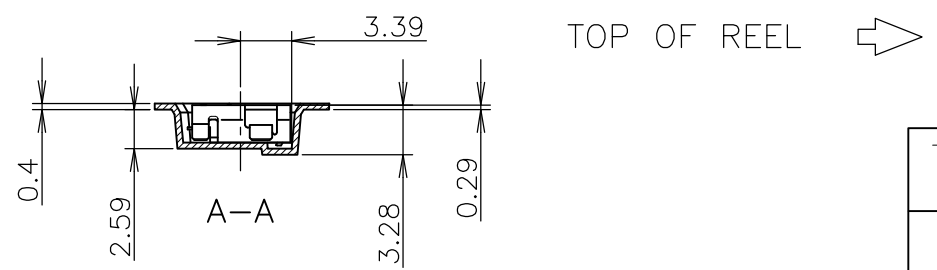
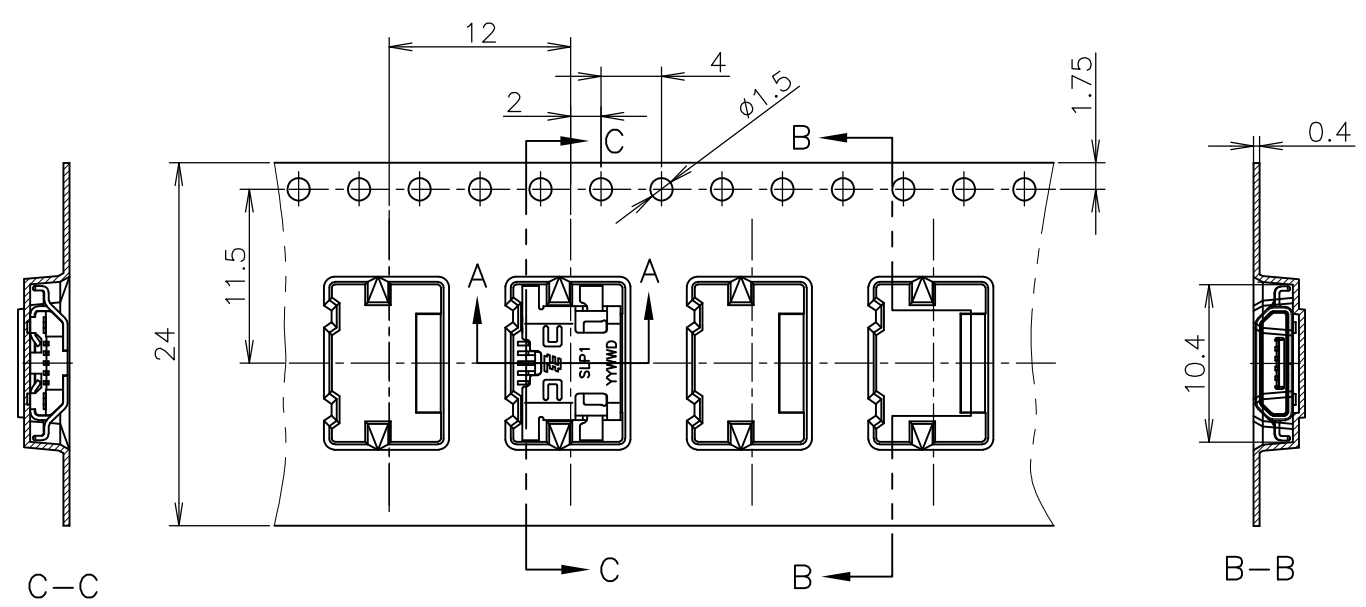
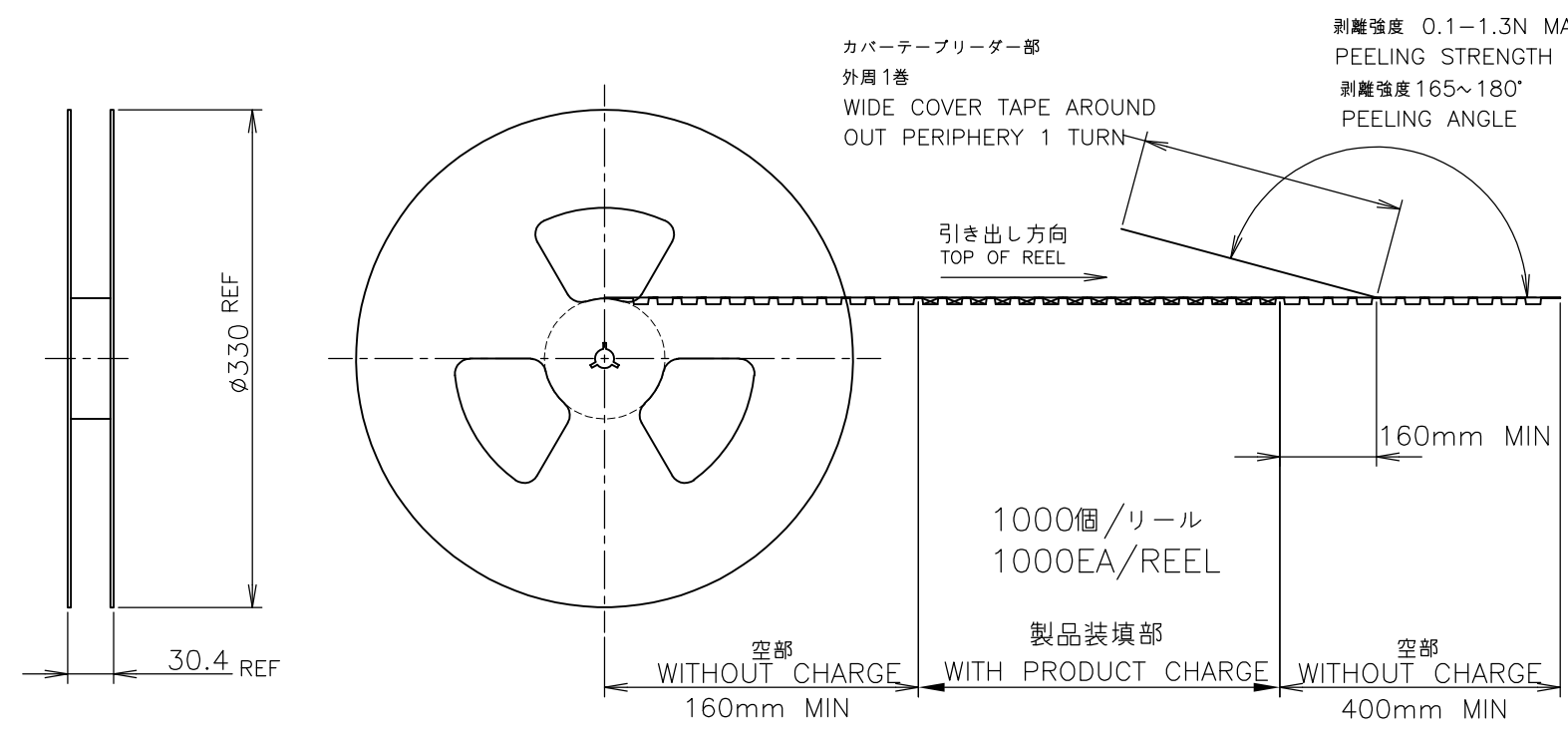


WITH	2134441-2
LASER WELDING	PARTS NUMBER

THIS DRAWING IS A CONTROLLED DOCUMENT.		DWN	C.OHASHI	25JUL2011	TE Connectivity
DIMENSIONS: 単位: 耗 mm		CHK	A.KUBO	25JUL2011	
TOLERANCES UNLESS OTHERWISE SPECIFIED: 一般公差		APVD	T.KUSUHARA	25JUL2011	NAME 名称
0 PLC ± 0.3		PRODUCT SPEC		MICRO USB CONNECTOR	
1 PLC ± 0.3		製品規格		MID-MOUNT DIP, FLANGELESS	
2 PLC ± 0.3		108-78434		REVERSE TYPE	
3 PLC ± 0.3		APPLICATION SPEC		SIZE	CAGE CODE
4 PLC ± 0.3		取付適用規格		A3	00779
ANGLES ± 3'		WEIGHT		DRAWING NO	RESTRICTED TO
FINISH 仕上		CUSTOMER DRAWING		C-2134441	
		SCALE 尺度 8:1		SHEET 1 OF 2	REV A

THIS DRAWING IS UNPUBLISHED. RELEASED FOR PUBLICATION JUL ,2011.
 © COPYRIGHT 2011 By Tyco Electronics Japan G.K. ALL RIGHTS RESERVED.

LOC	DIST	REVISIONS		
J	/	P	LTR	DESCRIPTION
				DATE
				DWN
				APVD
				—
				—
				—



THIS DRAWING IS A CONTROLLED DOCUMENT.		DWN		STE TE Connectivity	
DIMENSIONS: 単位: 耗 mm		CHK			
TOLERANCES UNLESS OTHERWISE SPECIFIED: 一般公差		APVD		NAME 名称	
0 PLC ± 0.3		PRODUCT SPEC 製品規格		MICRO USB CONNECTOR	
1 PLC ± 0.3		APPLICATION SPEC 取付適用規格		MID-MOUNT DIP, FLANGELESS REVERSE TYPE	
2 PLC ± 0.3		SIZE	CAGE CODE	DRAWING NO 番号	RESTRICTED TO
3 PLC ± 0.3		A3	00779	C-2134441	—
4 PLC ± 0.3		WEIGHT		SCALE 尺度	SHEET
ANGLES ± 3'		CUSTOMER DRAWING		NTS	2 OF 2
FINISH 仕上				REV	A