



Chipsmall Limited consists of a professional team with an average of over 10 year of expertise in the distribution of electronic components. Based in Hongkong, we have already established firm and mutual-benefit business relationships with customers from,Europe,America and south Asia,supplying obsolete and hard-to-find components to meet their specific needs.

With the principle of "Quality Parts,Customers Priority,Honest Operation,and Considerate Service",our business mainly focus on the distribution of electronic components. Line cards we deal with include Microchip,ALPS,ROHM,Xilinx,Pulse,ON,Everlight and Freescale. Main products comprise IC,Modules,Potentiometer,IC Socket,Relay,Connector.Our parts cover such applications as commercial,industrial, and automotives areas.

We are looking forward to setting up business relationship with you and hope to provide you with the best service and solution. Let us make a better world for our industry!



## Contact us

Tel: +86-755-8981 8866 Fax: +86-755-8427 6832

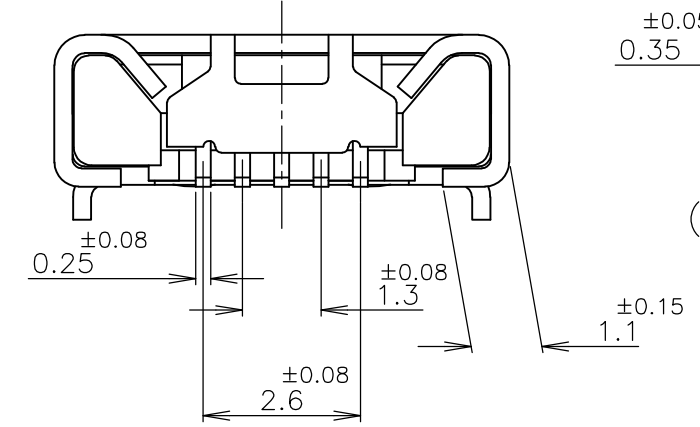
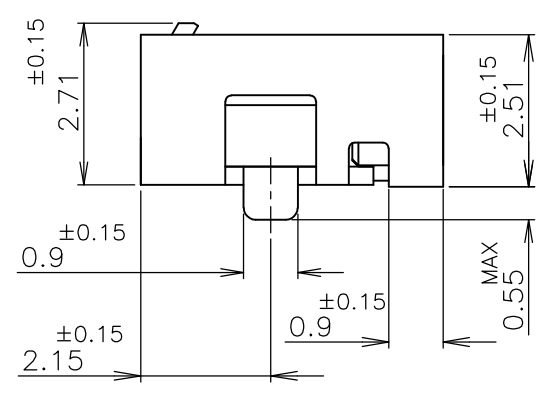
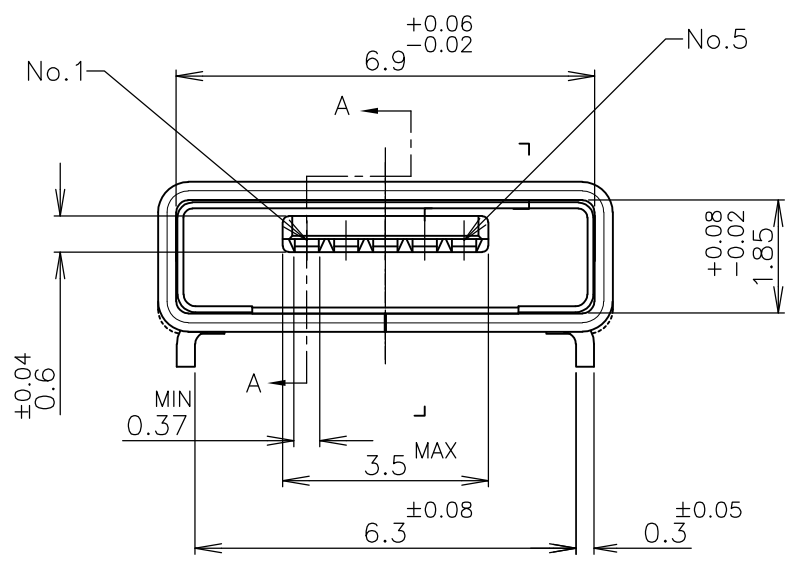
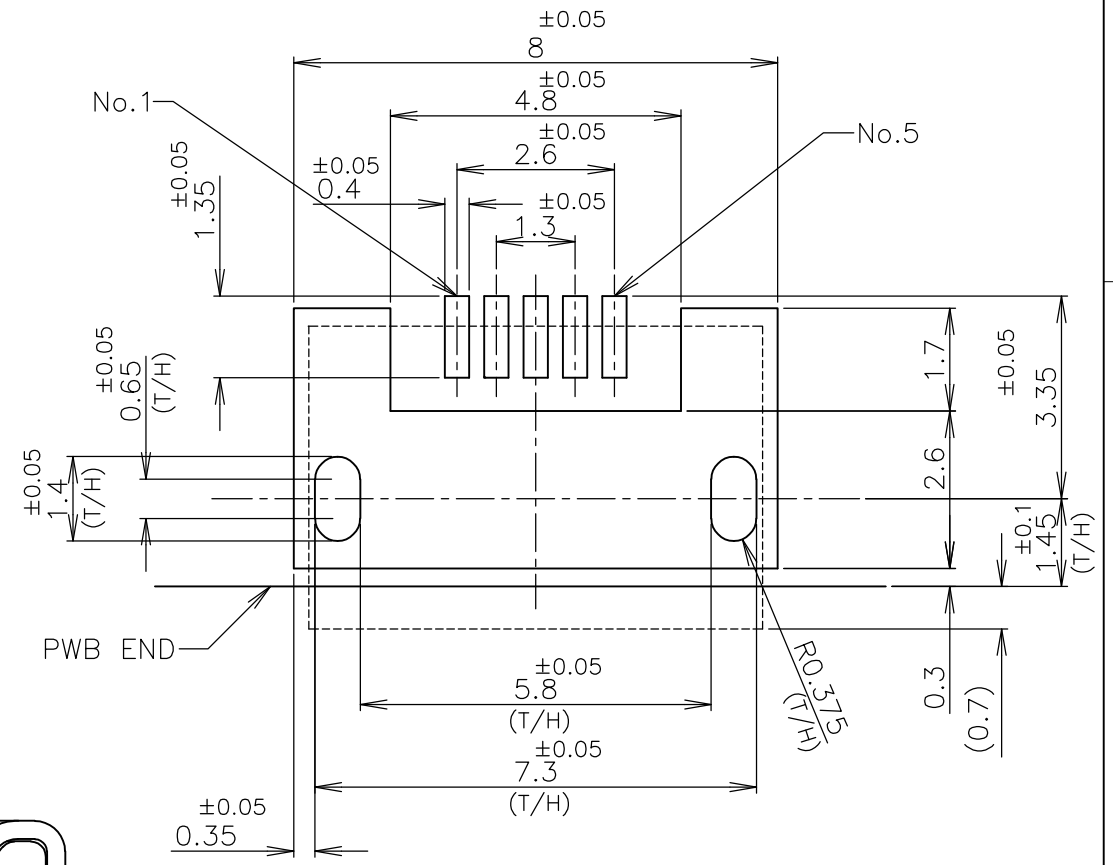
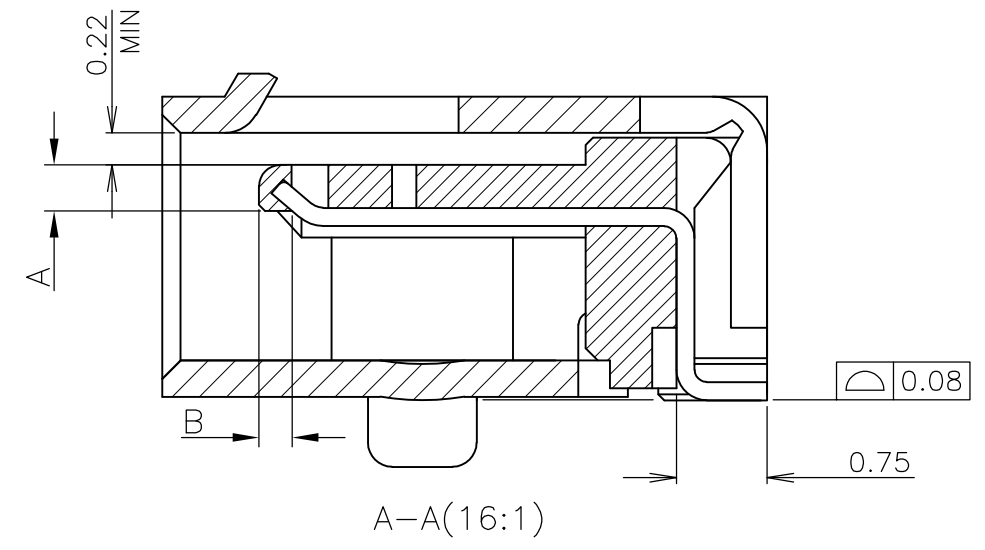
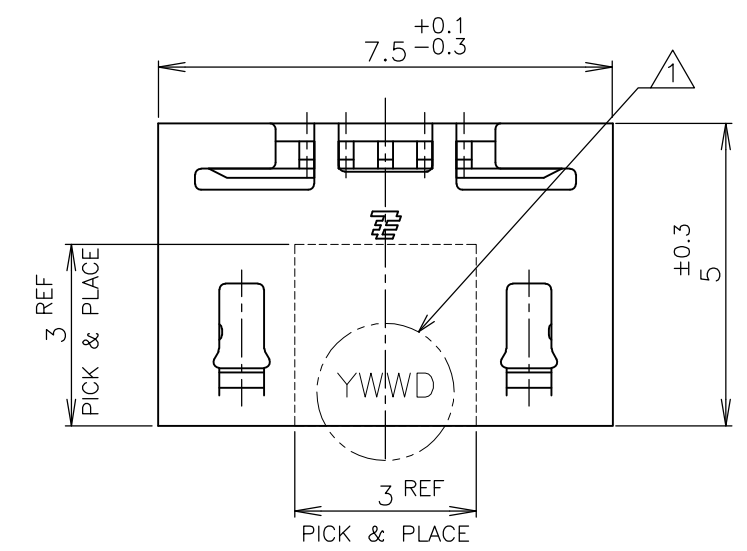
Email & Skype: info@chipsmall.com Web: www.chipsmall.com

Address: A1208, Overseas Decoration Building, #122 Zhenhua RD., Futian, Shenzhen, China



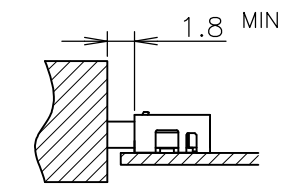
THIS DRAWING IS UNPUBLISHED. RELEASED FOR PUBLICATION NOV. 2011.  
 © COPYRIGHT 2011 By Tyco Electronics Japan G.K. ALL RIGHTS RESERVED.

LOC	DIST	REVISIONS					
J	/	P	LTR	DESCRIPTION	DATE	DWN	APVD
			A6	REVISED(ECR-16-006030)	29Apr2016	A.X	H.W



PWB LAYOUT(REFERENCE)  
(VIEWED FROM CONNECTOR MOUNT SIDE)

DISTANCE BETWEEN PLUG & RECE



(REFERENCE DIMENSION)

① LASER MARKING: YWW

DATE CODE  
(YEAR, WEEK, DAY)

- 2. OVERALL TOLERANCE: ±0.2
- 3. MATERIAL HOUSING: THERMOPLASTIC RESIN UL94V-0  
CONTACT: COPPER ALLOY  
SHELL : STAINLESS STEEL  
(APPLIED GREASE AT LOCK POSITION)

- 4. FINISH CONTACT: Ni UNDER PL Au PL  
SHELL : Ni UNDER PL  
Sn PL OR ADDITIONAL SELECTIVE BLACK Ni PL

- 5. PREVENTION OF WRENCHING  
PLEASE HOLD THE TOP AND THE SIDE OF CONNECTOR BY THE CASE.
- 6. PREVENTION OF HITTING DURING PLUG INSERTION  
PLEASE SET THE INSERTION GUIDE ALONG THE MATING SURFACE.

- ④ 7. FOR P/N:2134536-3, REFLOW PEAK TEMPERATURE: 250 DEGREE.  
REFLOW PROCESS WITH NITROGEN PROTECTION.

⑥ ONLY 2134536-5&-6&-7 PIN1 DIM B=0.60,THE OTHER PIN&P/N DIM B=0.27

DESCRIPTION(HSG)	DESCRIPTION(SHELL)	PART NUMBER	DIM A	DIM B(PIN 1)	
⑤	COLOR: WHITE	Sn AND Ni PLATING	2134536-6	0.43	0.60
④	COLOR: BLACK	Ni 0.6um Min. PLATING GOLD FLASH PLATING BLACK Ni SELECTIVE PLATING	2134536-4	0.38	0.27
⑤	COLOR: BLACK	Ni 0.6um Min. PLATING GOLD FLASH PLATING BLACK Ni SELECTIVE PLATING	2134536-5	0.43	0.60
④	COLOR: BLACK	Ni 0.6um Min. PLATING GOLD FLASH PLATING BLACK Ni SELECTIVE PLATING	2134536-3	0.38	0.27
⑥	COLOR: GRAY	Sn AND Ni PLATING	2134536-7	0.43	0.60
①	COLOR: GRAY	Sn AND Ni PLATING	2134536-2	0.38	0.27

THIS DRAWING IS A CONTROLLED DOCUMENT.

DIMENSIONS: 単位: 耗 MM	TOLERANCES UNLESS OTHERWISE SPECIFIED: 一般公差
	0 PLC ± - 1 PLC ± - 2 PLC ± - 3 PLC ± - 4 PLC ± - ANGLES ± -
MATERIAL 材料	FINISH 仕上

DWN	07NOV2011
C.OHASHI	
CHK	08NOV2011
A.KUBO	
APVD	08NOV2011
T.KUSUHARA	
PRODUCT SPEC	
製品規格	
108-78434	
APPLICATION SPEC	
取付適用規格	
408-78009	
WEIGHT	0.24g



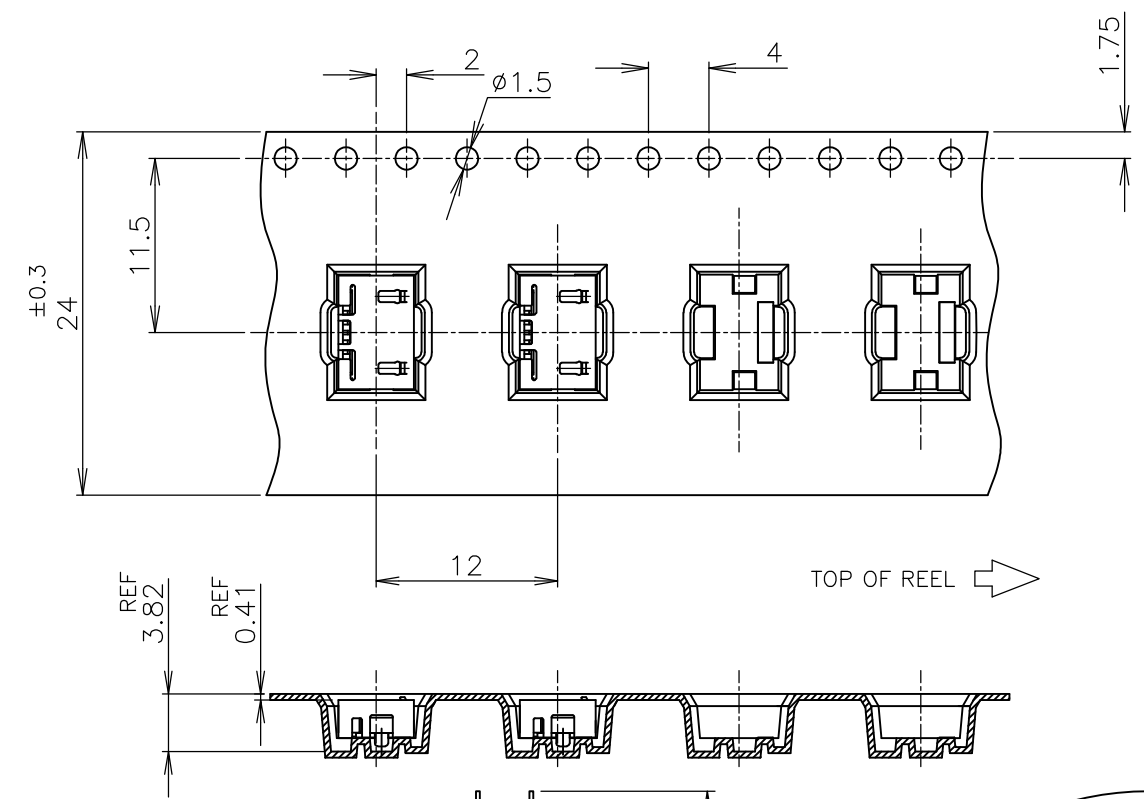
MICRO USB  
RECEPTACLE STANDARD TYPE AB  
FLANGELESS

NAME 名称			
SIZE	CAGE CODE	DRAWING NO 番号	RESTRICTED TO
A3	00779	G-2134536	-
SCALE 尺度	NTS	SHEET 1 OF 3	REV A6

CUSTOMER DRAWING

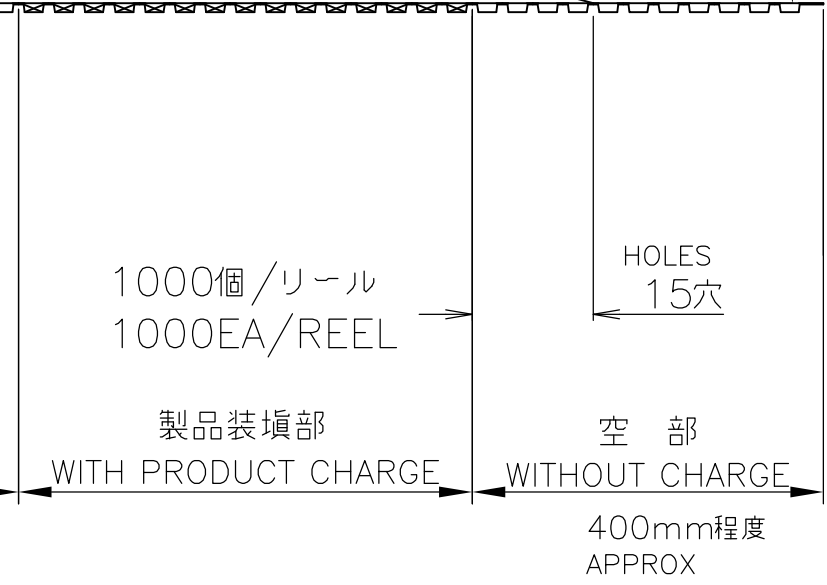
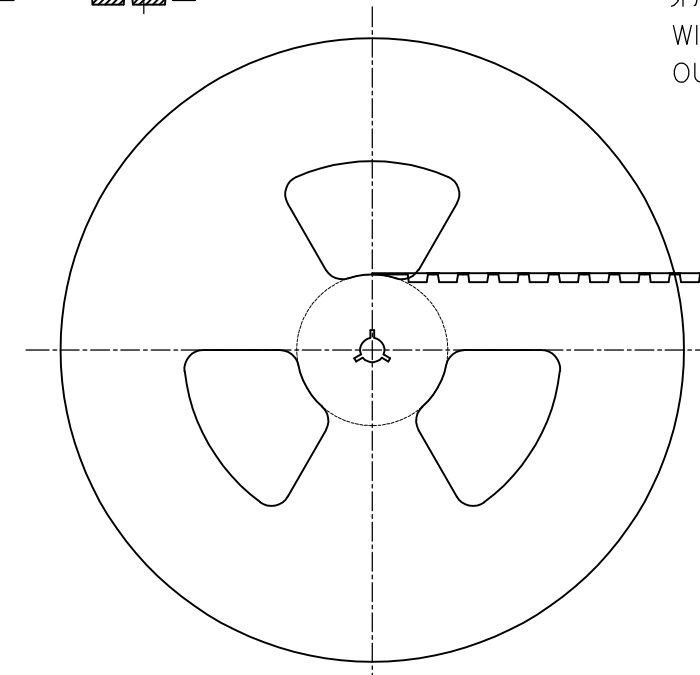
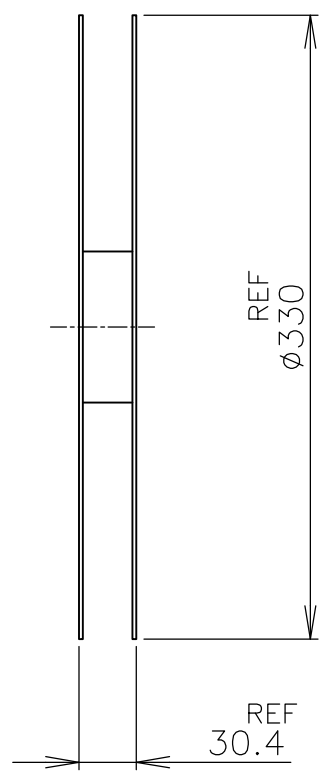
THIS DRAWING IS UNPUBLISHED. RELEASED FOR PUBLICATION NOV. 2011.  
 © COPYRIGHT 2011 By Tyco Electronics Japan G.K. ALL RIGHTS RESERVED.

LOC	DIST	REVISIONS					
J	/	P	LTR	DESCRIPTION	DATE	DWN	APVD
		-		SEE SHEET 1	-	-	-



カバートープリーダー部  
 外周1巻  
 WIDE COVER TAPE AROUND  
 OUT PERIPHERY 1 TURN

剥離強度 0.1-1.3N MAX(300±10mm/min)  
 PEELING STRENGTH  
 剥離強度 165~180°  
 PEELING ANGLE

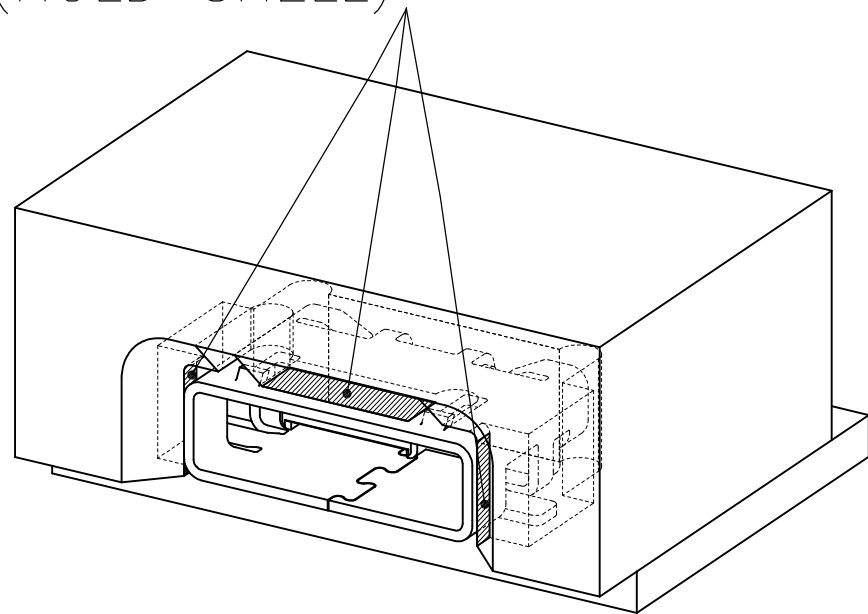


THIS DRAWING IS A CONTROLLED DOCUMENT.		DWN	TE Connectivity		
DIMENSIONS: 単位: 耗 MM		CHK	NAME 名称		
TOLERANCES UNLESS OTHERWISE SPECIFIED: 一般公差		APVD	MICRO USB RECEPTACLE STANDARD TYPE AB FLANGELESS		
0 PLC ±-		PRODUCT SPEC 製品規格		SIZE	RESTRICTED TO
1 PLC ±-		APPLICATION SPEC 取付適用規格		CAGE CODE	A300779
2 PLC ±-		WEIGHT		DRAWING NO 番号	
3 PLC ±-		CUSTOMER DRAWING		G-2134536	
4 PLC ±-		SCALE 尺度 NTS		SHEET 2 OF 3	REV A6
ANGLES ±-		MATERIAL 材料		FINISH 仕上	

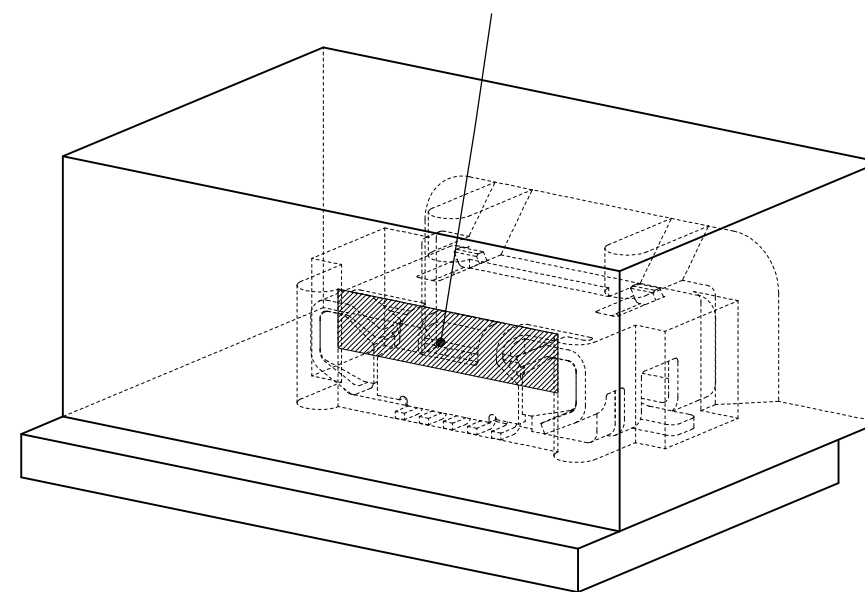
THIS DRAWING IS UNPUBLISHED.      RELEASED FOR PUBLICATION      NOV , 2011.  
 © COPYRIGHT 2011 By Tyco Electronics Japan G.K.      ALL RIGHTS RESERVED.

LOC	DIST	REVISIONS					
J	/	P	LTR	DESCRIPTION	DATE	DWN	APVD
		-		SEE SHEET 1	-	-	-

CONNECTOR INSERTION OPENING  
(HOLD SHELL)

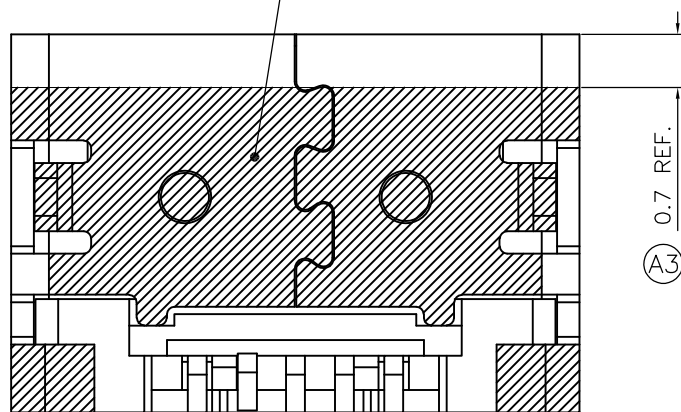


CONNECTOR BACK SIDE  
(HOLD SHELL AND HOUSING)



GUIDE CASE FOR WRENCHING (REFERENCE)

SELECTIVE PLATING AREA (A3)  
(Sn PLATING AREA)



THIS DRAWING IS A CONTROLLED DOCUMENT.		DWN	TE Connectivity		
DIMENSIONS: 単位: 耗 MM		CHK	NAME 名称		
TOLERANCES UNLESS OTHERWISE SPECIFIED: 一般公差		APVD	MICRO USB RECEPTACLE STANDARD TYPE AB FLANGELESS		
0 PLC ± - 1 PLC ± - 2 PLC ± - 3 PLC ± - 4 PLC ± - ANGLES ± -		PRODUCT SPEC 製品規格	SIZE	CAGE CODE	DRAWING NO 番号
MATERIAL 材料		APPLICATION SPEC 取付適用規格	A3	00779	G-2134536
FINISH 仕上		WEIGHT	RESTRICTED TO		
CUSTOMER DRAWING			SCALE 尺度	SHEET	REV
			NTS	3 OF 3	A6