



Chipsmall Limited consists of a professional team with an average of over 10 year of expertise in the distribution of electronic components. Based in Hongkong, we have already established firm and mutual-benefit business relationships with customers from,Europe,America and south Asia,supplying obsolete and hard-to-find components to meet their specific needs.

With the principle of “Quality Parts,Customers Priority,Honest Operation,and Considerate Service”,our business mainly focus on the distribution of electronic components. Line cards we deal with include Microchip,ALPS,ROHM,Xilinx,Pulse,ON,Everlight and Freescale. Main products comprise IC,Modules,Potentiometer,IC Socket,Relay,Connector.Our parts cover such applications as commercial,industrial, and automotives areas.

We are looking forward to setting up business relationship with you and hope to provide you with the best service and solution. Let us make a better world for our industry!



Contact us

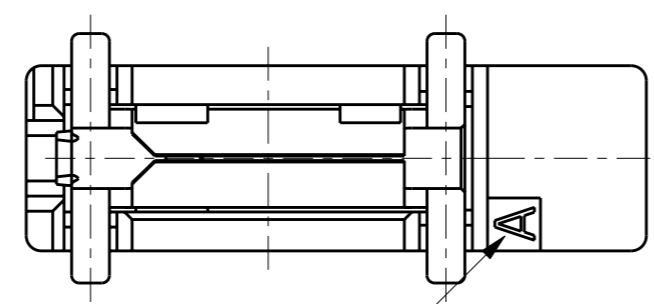
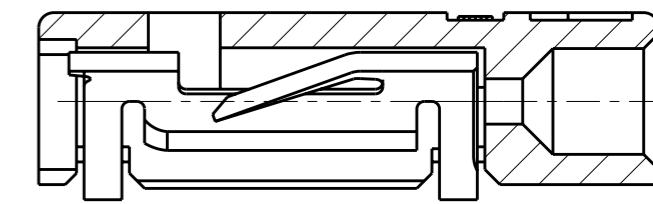
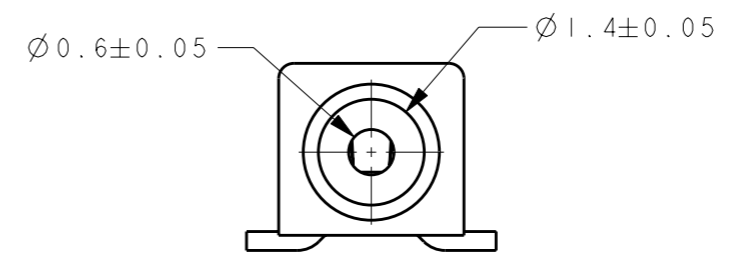
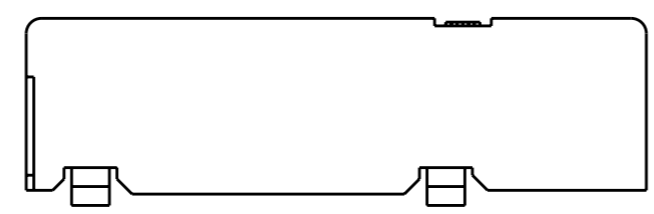
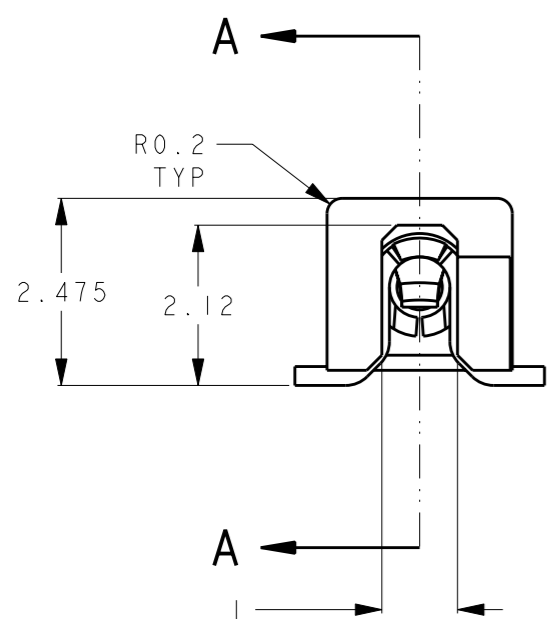
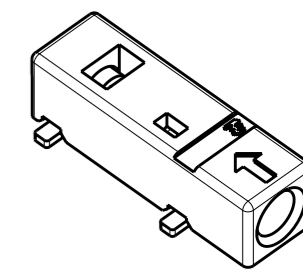
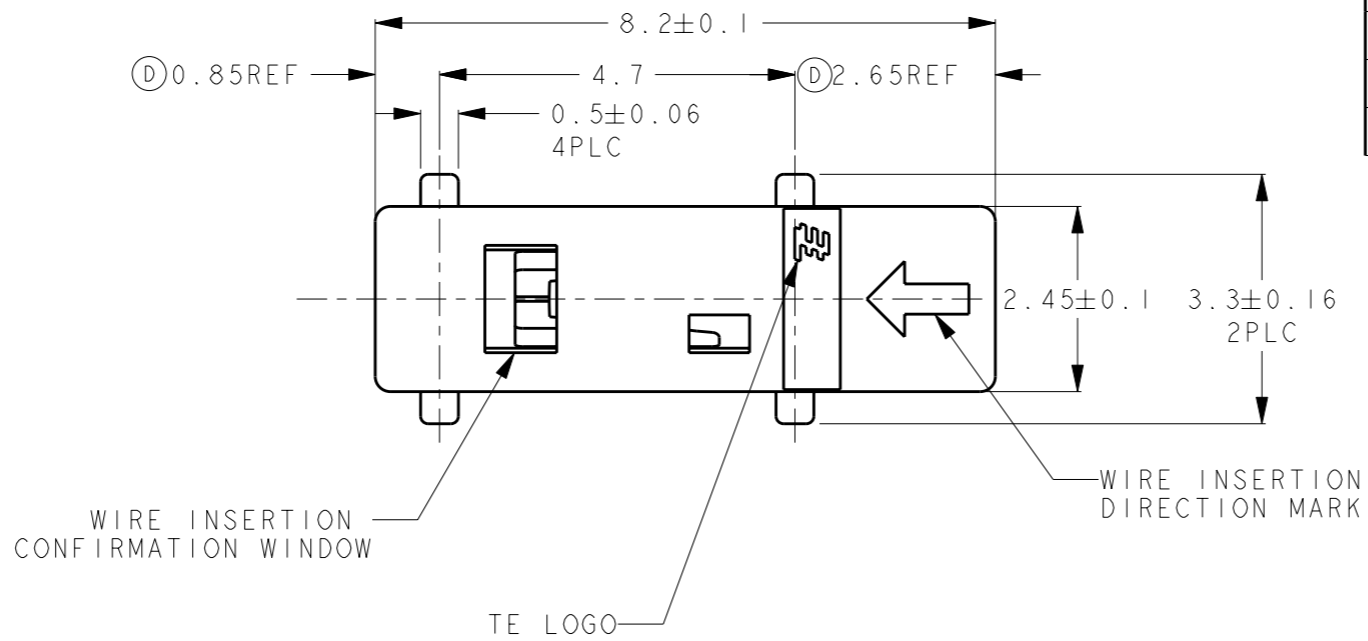
Tel: +86-755-8981 8866 Fax: +86-755-8427 6832

Email & Skype: info@chipsmall.com Web: www.chipsmall.com

Address: A1208, Overseas Decoration Building, #122 Zhenhua RD., Futian, Shenzhen, China



LOC	DIST	REVISIONS			
P	LTR	DESCRIPTION	DATE	DWN	APVD
J	-	C	REVISIED	11MAY2011	T.N E.T
		D	REVISIED	19JUL2011	T.N N.Y
		E	REVISIED	27DEC2011	T.N N.Y
		F	REVISIED	04JUL2012	H.M N.Y



- ① APPLICABLE WIRES: AWG#24 SOLID TIN COATING
 AWG#26 SOLID TIN COATING
 2. ABOUT HSG VISUAL STANDARD : TO CONFORM TYCO ELECTRONICS JAPAN G.K. INTERNAL RULE.
- 3. MATERIAL
 -HOUSING : LCP UL94V-0,
 COLOR : NATURAL
 -CONTACT : COPPER ALLOY, TIN PLATED ALL OVER UNDER NICKEL PLATED.
- 4. COPLANARITY : 0.1mmMAX(INITIAL).
- ⑤ REFERENTIAL VACUUM AREA: SEE FIG 4
- ⑥ REFER FIG.1 AS DATE CODE MARKING POSITION AND AREA.
 DATE CODE IS MARKED AT ONE SURFACE OR SEVERAL SURFACE.
- ⑦ UL FILE NO. : E28476

THIS DRAWING IS A CONTROLLED DOCUMENT.		DWN T. NAGASAKI 16JUL2010	TE Connectivity MICRO POKE IN IP ASSEMBLY	
DIMENSIONS: mm		CHK E. TAKEMASA 16JUL2010		
TOLERANCES UNLESS OTHERWISE SPECIFIED: ±0.2		APVD E. TAKEMASA 16JUL2010	NAME	
0 PLC ± 1 PLC ± 2 PLC ± 3 PLC ± 4 PLC ± ANGLES ±3°		PRODUCT SPEC 108-78810	SIZE	
MATERIAL		APPLICATION SPEC 114-5482	CAGE CODE A300779	DRAWING NO C-2134611
FINISH		WEIGHT 0.0827g	RESTRICTED TO	
		CUSTOMER DRAWING	SCALE 10:1	SHEET 1 OF 3
			REV F	

THIS DRAWING IS UNPUBLISHED. RELEASED FOR PUBLICATION 20
 © COPYRIGHT 20 BY - ALL RIGHTS RESERVED.

LOC	DIST	REVISIONS				
P	LTR	DESCRIPTION	DATE	DWN	APVD	
J	-	SEE SHEET 1	-	-	-	

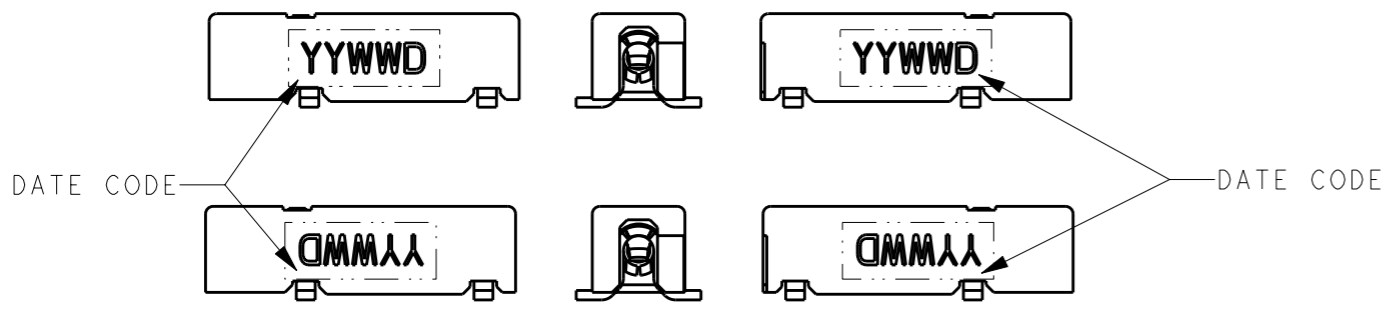


FIG. 1 DATE CODE MARKING POSITION AND AREA

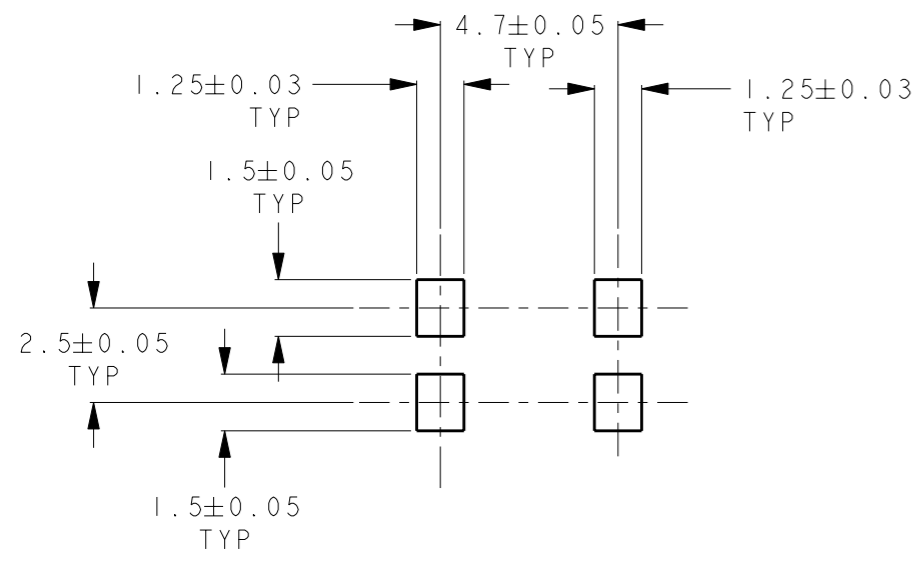


FIG. 2 REFERENTIAL P.C.B LAYOUT

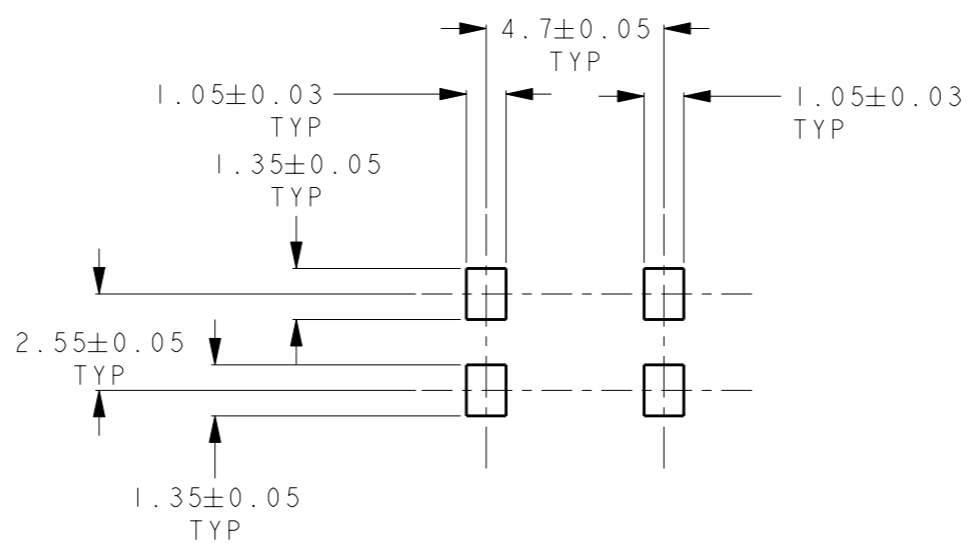


FIG. 3 REFERENTIAL METAL MASK PAD OPENING
 REFERENTIAL METAL MASK THICKNESS IS 0.15mm

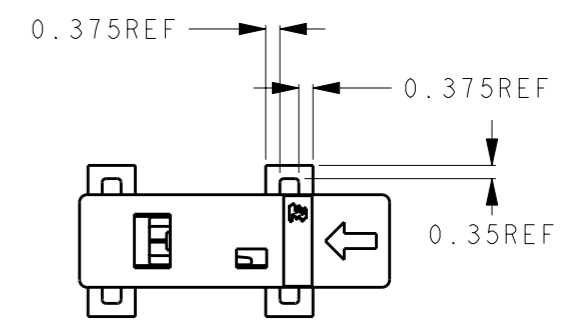


FIG. 5 REFERENTIAL CONNECTOR PLACEMENT

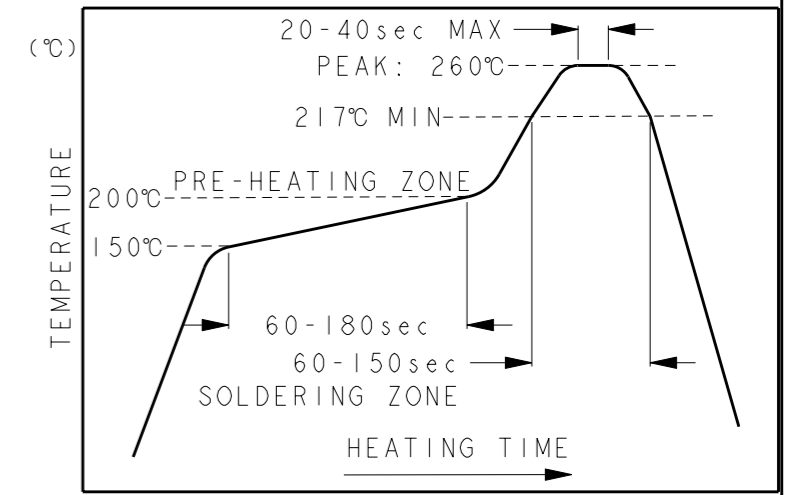


FIG. 6 REFERENTIAL REFLOW TEMPERATURE PROFILE
 (BASED ON IPC/JEDEC J-STD-020C)

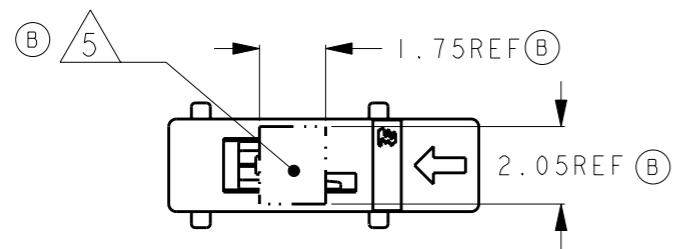
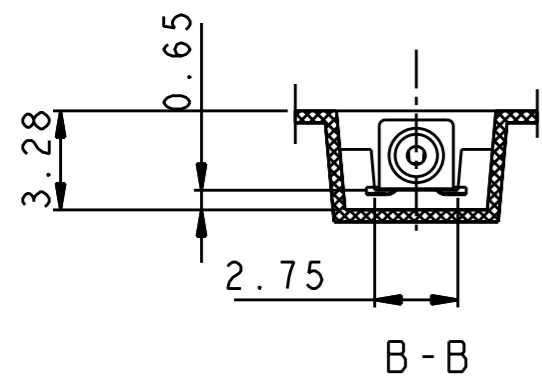
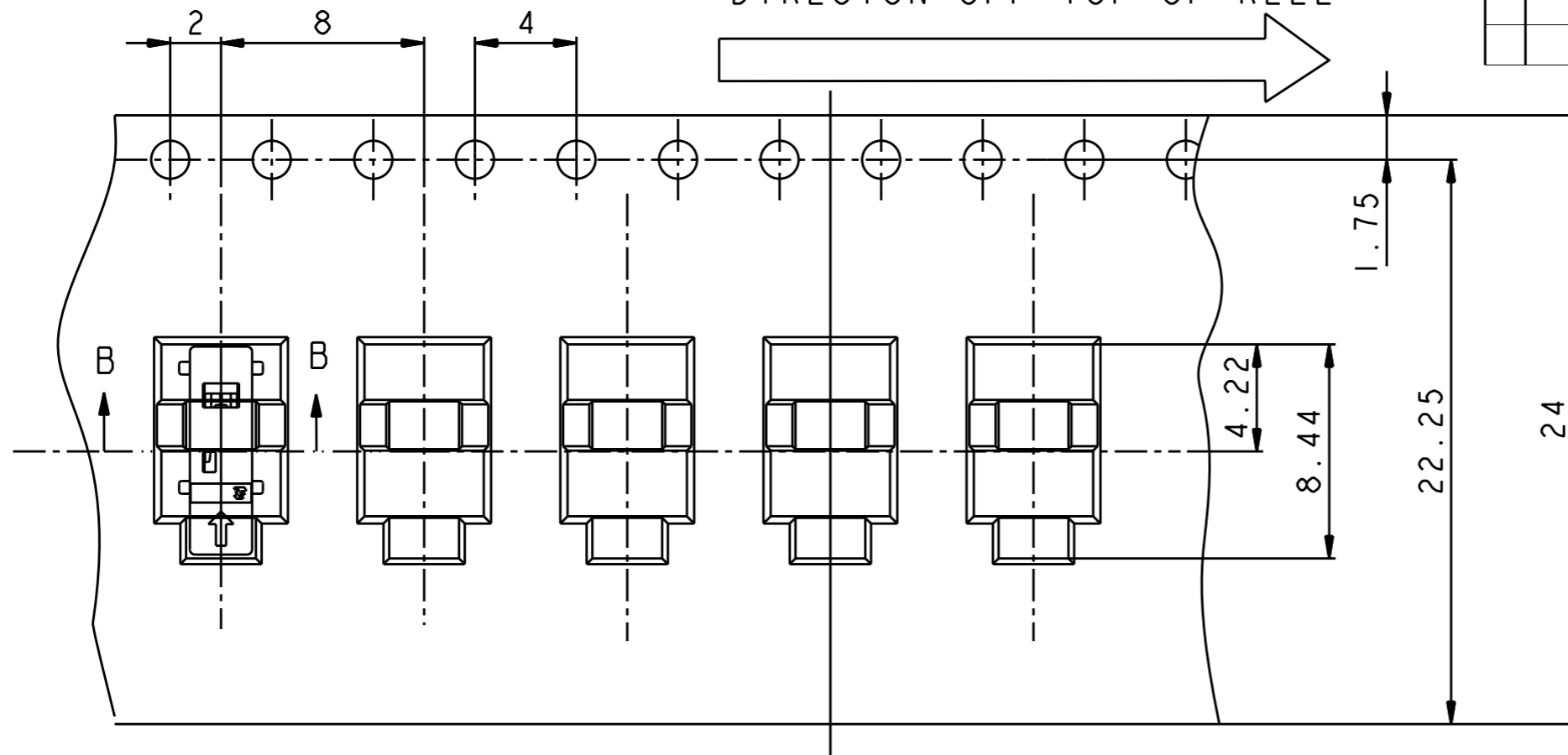
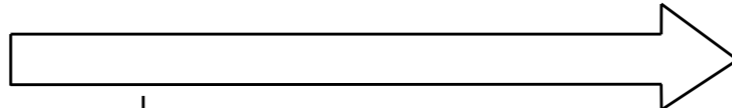


FIG. 4 REFERENTIAL VACUUM AREA

THIS DRAWING IS A CONTROLLED DOCUMENT.		DWN	TE Connectivity			
DIMENSIONS: mm		CHK				
TOLERANCES UNLESS OTHERWISE SPECIFIED: ±0.2		APVD	NAME			
0 PLC ± 1 PLC ± 2 PLC ± 3 PLC ± 4 PLC ± ANGLES ±3°		PRODUCT SPEC	MICRO POKE IN IP ASSEMBLY			
MATERIAL		APPLICATION SPEC	SIZE	CAGE CODE	DRAWING NO	RESTRICTED TO
FINISH		WEIGHT	A3	00779	C-2134611	-
CUSTOMER DRAWING		SCALE	5:1	SHEET	2 OF 3	REV F

LOC	DIST	REVISIONS			
P	LTR	DESCRIPTION	DATE	DWN	APVD
J	-	SEE SHEET 1	-	-	-

DIRECTON OFF TOP OF REEL

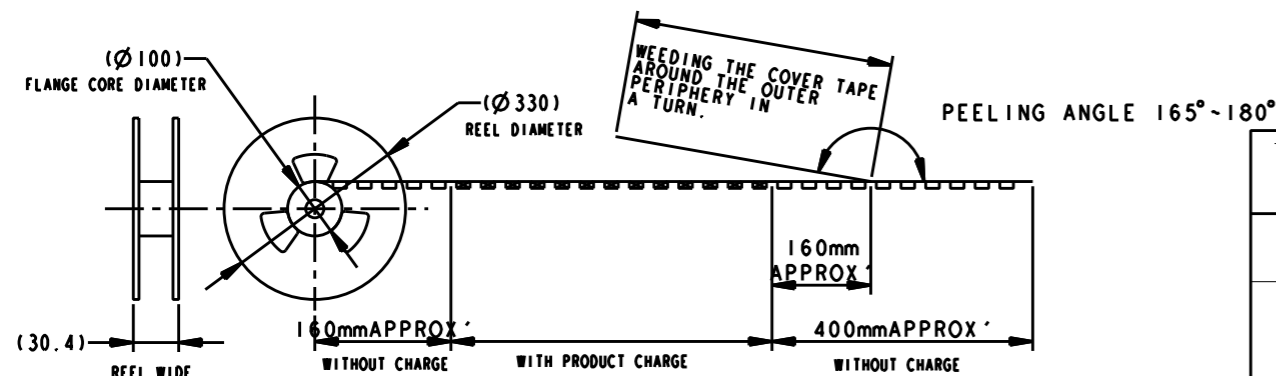


(APPLIED TO SHEET 3)

1. THE DIRECTION OF EACH CONNECTOR ON AN EMBOSS IS REFERRED TO THIS DRAWING.

2. REEL CONFIGURATION AND DIMENSIONS PER EIA 481-D

3. EMBOSS TAPE COLOR : CLEAR



THIS DRAWING IS A CONTROLLED DOCUMENT.

DIMENSIONS:	TOLERANCES UNLESS OTHERWISE SPECIFIED:
mm	
	0 PLC ±0.5
	1 PLC ±0.5
	2 PLC ±0.5
	3 PLC ±0.5
	4 PLC ±0.5
	ANGLES ±30°
MATERIAL	FINISH

DWN
CHK
APVD
PRODUCT SPEC
APPLICATION SPEC
WEIGHT
CUSTOMER DRAWING

STE TE Connectivity	
NAME MICRO POKE IN IP ASSEMBLY	
SIZE	CAGE CODE
A300779	C-2134611
DRAWING NO	RESTRICTED TO
SCALE	SHEET
NTS	3 OF 3
REV	F