



Chipsmall Limited consists of a professional team with an average of over 10 year of expertise in the distribution of electronic components. Based in Hongkong, we have already established firm and mutual-benefit business relationships with customers from,Europe,America and south Asia,supplying obsolete and hard-to-find components to meet their specific needs.

With the principle of “Quality Parts,Customers Priority,Honest Operation,and Considerate Service”,our business mainly focus on the distribution of electronic components. Line cards we deal with include Microchip,ALPS,ROHM,Xilinx,Pulse,ON,Everlight and Freescale. Main products comprise IC,Modules,Potentiometer,IC Socket,Relay,Connector.Our parts cover such applications as commercial,industrial, and automotives areas.

We are looking forward to setting up business relationship with you and hope to provide you with the best service and solution. Let us make a better world for our industry!



Contact us

Tel: +86-755-8981 8866 Fax: +86-755-8427 6832

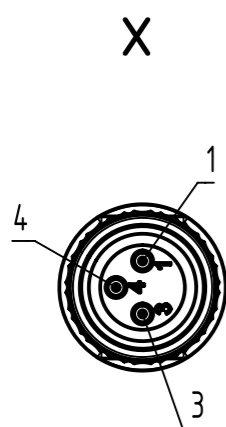
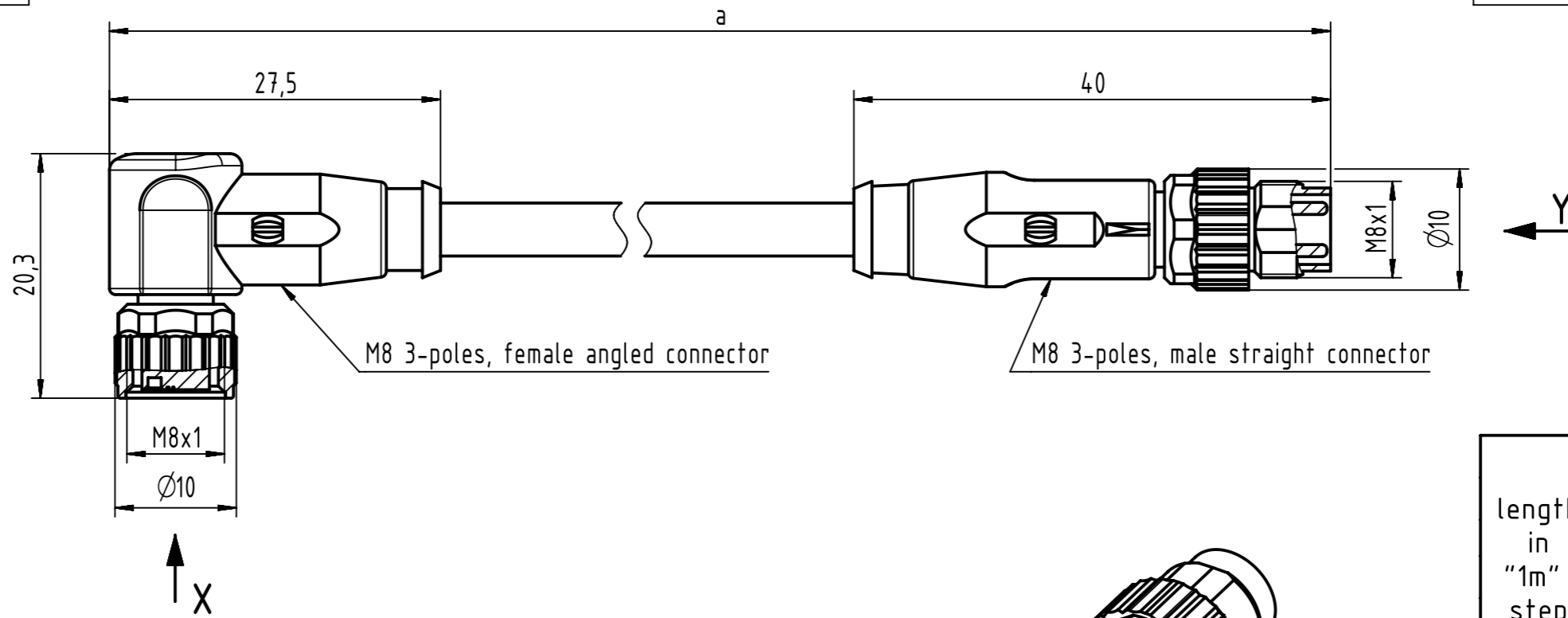
Email & Skype: info@chipsmall.com Web: www.chipsmall.com

Address: A1208, Overseas Decoration Building, #122 Zhenhua RD., Futian, Shenzhen, China



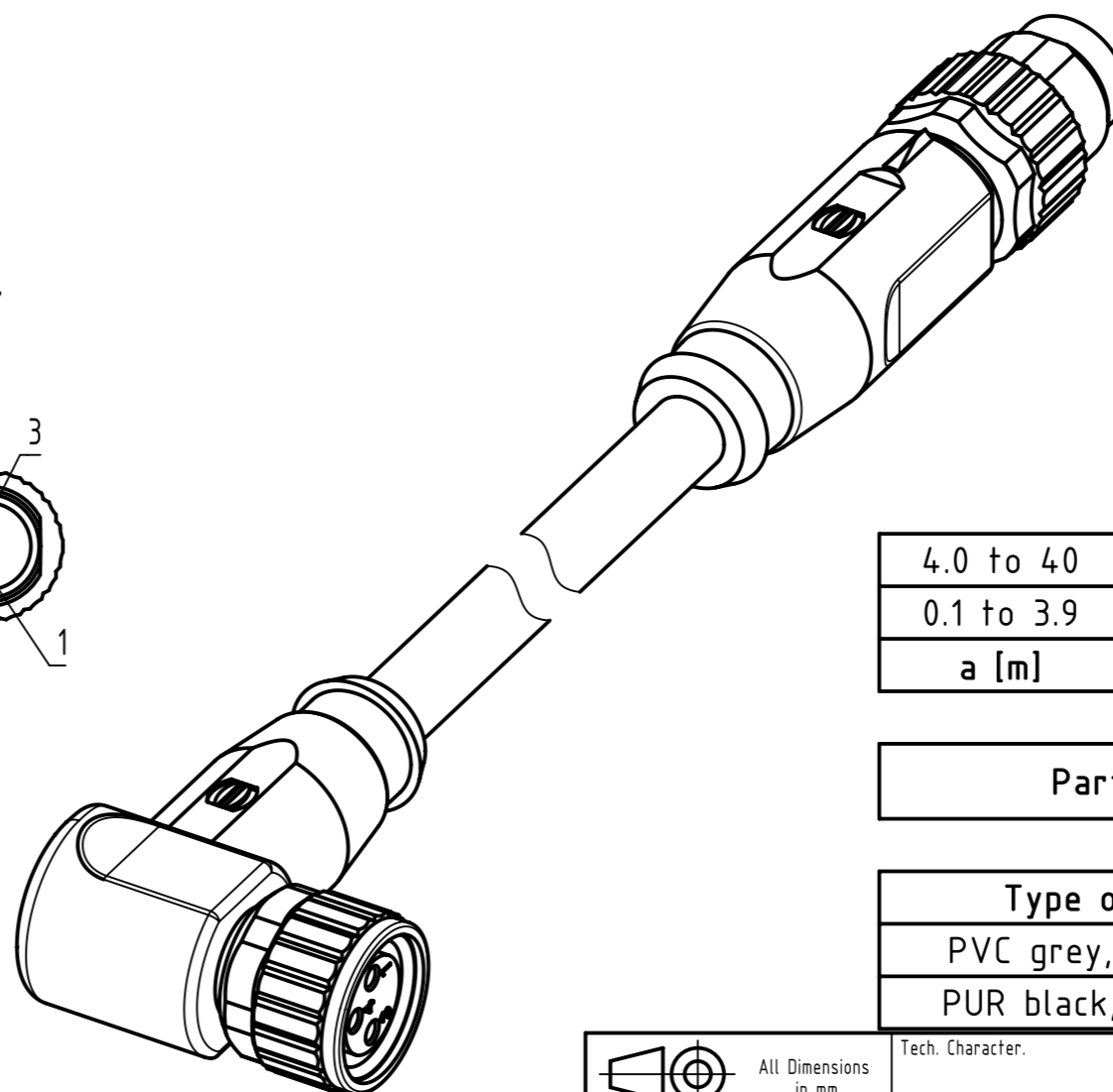
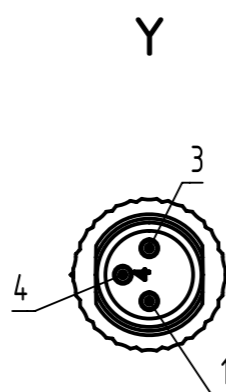
Connector Location A

Connector Location B



Loading-Plan:

- 1 brown 1
- 3 blue 3
- 4 black 4



- Protection level: IP 65/67
- Temperature range: -25°C ... +80°C

length in "1m" step	40	XXX=400
	39	XXX=390

	12	XXX=120
	11	XXX=110
length in "0.1m" step	10	XXX=100
	9.9	XXX=099
	9.8	XXX=098

	0.4	XXX=004
	0.3	XXX=003
	0.2	XXX=002
	0.1	XXX=001
Step	a [m]	XXX

4.0 to 40	+1%
0.1 to 3.9	+0.04
a [m]	Tolerance

Part no.	213480833XXXXXX
----------	-----------------

Type of cable	XX
PVC grey, 3x0.25mm ²	XX=80
PUR black, 3x0.25mm ²	XX=88

	All rights reserved		Tech. Character.		Free size tol.		According to production drawing	
	Department HCS - RO		Created by MUNTEANV	Inspected by POPESCUD	Standardisation AVRAM	Date 2016-10-18	State Final Release	
HARTING Customised Solutions		Title M8 Cable Assembly				Doc-Key / ECM-Nr. 100578025/UGD/009/B 500000110271		
D-32427 Minden		Type TB	Number 213480833XXXXXX			Rev. B	Page 1/1	